

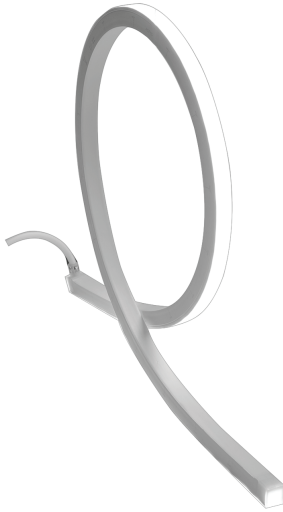
BL neonVIEW

Diffused, Flexible, Linear LED Lighting,
24VDC, Constant Voltage

TUNABLE BRIGHT SIDE SI

Side Light, Silicone, Tunable White
Vertical Bend

Printed



Certification



Lighting



Lamp	LED, SMD 3015
LED's Per Foot	51 LEDs/ft (168 LEDs/m)
Power	3.66 W/FT
Beam Angle	* 120°
Average Life	50,000 Hours
CRI	80+
Lumens	* 208 lm/FT
Efficacy	* 57 lm/W

Electrical

Control	DMX, Bluetooth
Input Voltage	24VDC
Max Input Current	4.12A (White)
Connections	18AWG, Copper Conductors
Operating Temperature	-40°F to 122°F (-40°C to 50°C)
Circuit	Class 2

Mechanical

Housing Construction	Injection Moulded White Silicone
Cutting Increments	3.28" (83.3mm)
Maximum Run Length	* 24'11"
Medial Bend Radius	15.75" (400mm)
Environmental	IP68 (Seamless Injection)
Mounting	Clip, Track

Accessories

NVS BRSL	** Factory installed termination kit
NVS BRSL JC	Factory installed jumper cable
NVSLBR CP	Surface Mounting Clip
NVSLBR CH	Surface Mounting Channel
NVSLBR RCP	Recessed Mounting Clip
NVSLBR RCH	Recessed Mounting Channel

* Please refer to the performance table on the following page

**Multiple Lead Orientation options available

PROJECT

CLIENT

TYPE

Solid State Lighting is sensitive to power fluctuations
Surge protection is highly recommended for all LED lighting products and should be on a designated circuit to protect against premature failure
Lack of surge protection may void your warranty

For more information, please download the
BL LIGHTING catalogue



BL neonVIEW

Diffused, Flexible, Linear LED Lighting,
24VDC, Constant Voltage

TUNABLE BRIGHT SIDE SI

Side Light, Silicone, Tunable White
Vertical Bend

Printed

Performance

CCT	Load	Lumens	Efficacy	Max. Length	Cutting Increments
2200K		95 lm/FT			
5700K		113 lm/FT			
2200K+5700K	3.66 W/FT	208 lm/FT	57 lm/W	24 ft 11 in	3.28 in (83.3mm)

Ordering

Product Name

BL neonVIEW TUNABLE BR SL SI

CCT

TW = 2200k-5700K

Lead Orientation

NVS BRSL BC = Back Lead
 NVS BRSL EC = End Lead
 NVS BRSL RC = Right Side Lead
 NVS BRSL LC = Left Side Lead

Mounting Accessories

NVBRSL CP = Mounting Clip
 NVBRSL CH = Mounting Channel
 NVBRSL RCP = Recessed Mounting Clip
 NVBRSL RCH = Recessed Mounting Channel

PROJECT

CLIENT

TYPE

Solid State Lighting is sensitive to power fluctuations
 Surge protection is highly recommended for all LED lighting products and should be on a designated circuit to protect against premature failure
 Lack of surge protection may void your warranty

For more information, please download the
BL LIGHTING catalogue

BL LIGHTING. ILLUMINATE EVERYTHING

111 - 8838 Heather St. Vancouver, BC, Canada. V6P 3S8
 P: 1-604-874-4405 E: info@blighting.com
 Copyright © BL INNOVATIVE LIGHTING. All Rights Reserved.

blighting.com



BL neonVIEW

Diffused, Flexible, Linear LED Lighting,
24VDC, Constant Voltage

TUNABLE BRIGHT SIDE SI

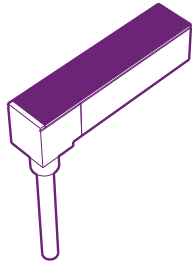
Side Light, Silicone, Tunable White
Vertical Bend

Printed

Lead Orientation

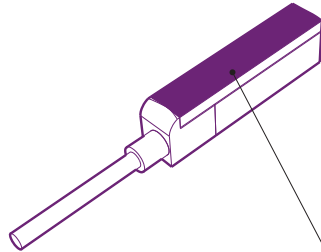
Back Lead

Part# NVS BRSL BC 68



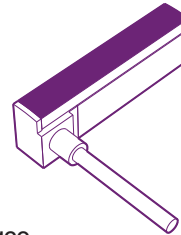
End Lead

Part# NVS BRSL EC 68



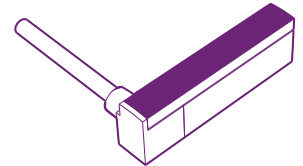
Right Side Lead

Part# NVS BRSL RC 68

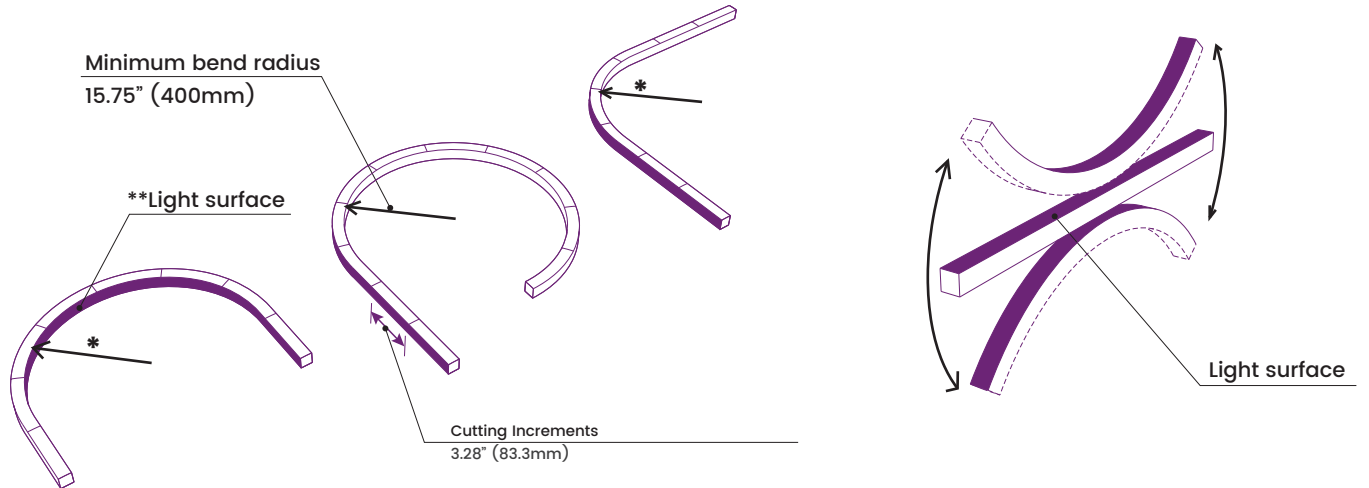


Left Side Lead

Part# NVS BRSL LC 68



Minimum Bend Radius and Bend Orientations



**Light surface could be inside or outside.

**BL neonVIEW BRIGHT SIDE Series
bends vertically**

PROJECT

CLIENT

TYPE

Solid State Lighting is sensitive to power fluctuations
Surge protection is highly recommended for all LED lighting products and should be on a designated circuit to protect against premature failure
Lack of surge protection may void your warranty

For more information, please download the
BL LIGHTING catalogue

BL LIGHTING. ILLUMINATE EVERYTHING

111 - 8838 Heather St. Vancouver, BC, Canada. V6P 3S8
P: 1-604-874-4405 E: info@blighting.com
Copyright © BL INNOVATIVE LIGHTING. All Rights Reserved.

blighting.com



BL neonVIEW

Diffused, Flexible, Linear LED Lighting,
24VDC, Constant Voltage

TUNABLE BRIGHT SIDE SI

Side Light, Silicone, Tunable White
Vertical Bend

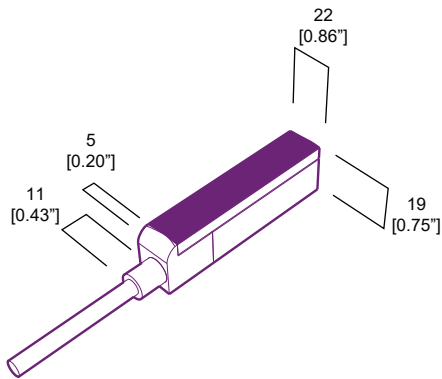
Printed



Dimensions

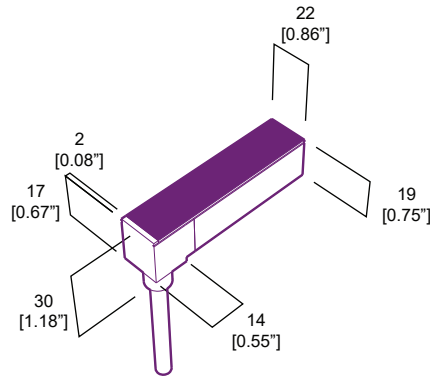
End Lead

Part# NVS BRSL EC 68

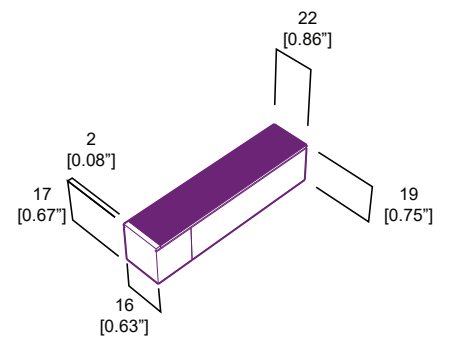


Back Lead

Part# NVS BRSL BC 68

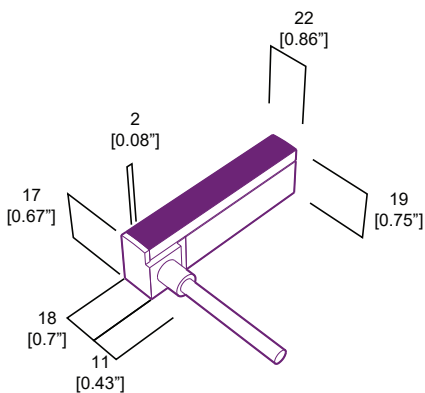


End Cap



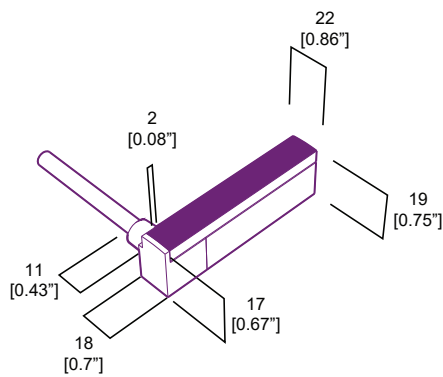
Right Side Lead

Part# NVS BRSL RC 68



Left Side Lead

Part# NVS BRSL LC 68



The tolerance of the Lead is $\pm 0.5\text{mm}$
For more detail, please download the CAD Drawing

PROJECT

CLIENT

TYPE

Solid State Lighting is sensitive to power fluctuations
Surge protection is highly recommended for all LED lighting products and should be on a designated circuit to protect against premature failure
Lack of surge protection may void your warranty

For more information, please download the
BL LIGHTING catalogue

BL LIGHTING. ILLUMINATE EVERYTHING

111 - 8838 Heather St. Vancouver, BC, Canada. V6P 3S8
P: 1-604-874-4405 E: info@blighting.com
Copyright © BL INNOVATIVE LIGHTING. All Rights Reserved.

blighting.com



BL neonVIEW

Diffused, Flexible, Linear LED Lighting,
24VDC, Constant Voltage

TUNABLE BRIGHT SIDE SI

Side Light, Silicone, Tunable White
Vertical Bend

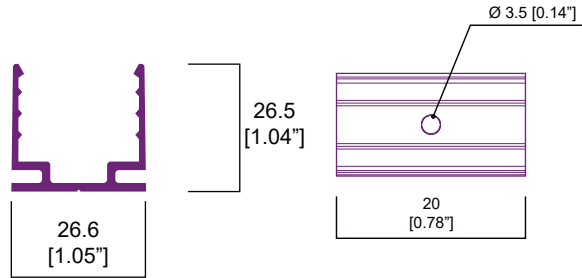
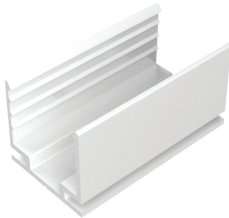
Printed



Accessories (Surface Mounting Clip and Channel)

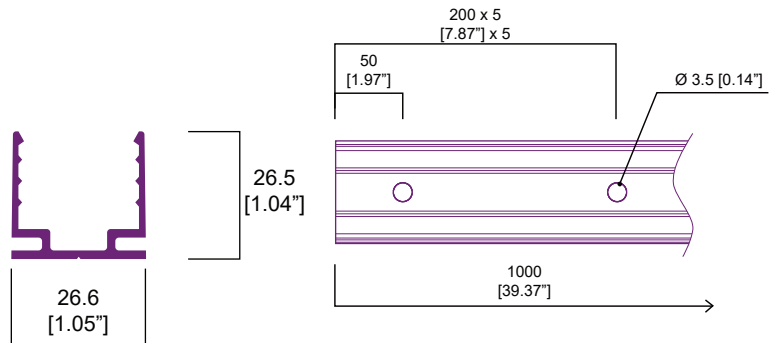
Surface Mounting Clip

Part# NVBRSL CP



Surface Mounting Channel

Part# NVBRSL CH



For more detail, please download the CAD Drawing

PROJECT

CLIENT

TYPE

Solid State Lighting is sensitive to power fluctuations
Surge protection is highly recommended for all LED lighting products and should be on a designated circuit to protect against premature failure
Lack of surge protection may void your warranty

For more information, please download the
BL LIGHTING catalogue

BL LIGHTING. ILLUMINATE EVERYTHING

111 - 8838 Heather St. Vancouver, BC, Canada. V6P 3S8
P: 1-604-874-4405 E: info@blighting.com
Copyright © BL INNOVATIVE LIGHTING. All Rights Reserved.

blighting.com



BL neonVIEW

Diffused, Flexible, Linear LED Lighting,
Side Emitting, 24VDC, Constant Voltage

TUNABLE BRIGHT SIDE SI

Side Light, Silicone, Tunable White
Vertical Bend

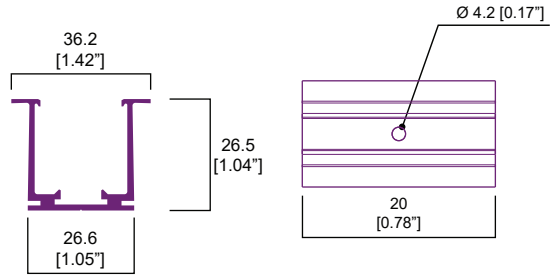
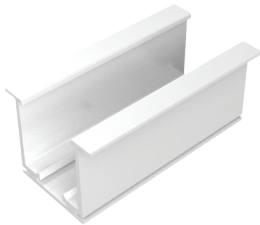
Printed



Accessories (Recessed Mounting Clip and Channel)

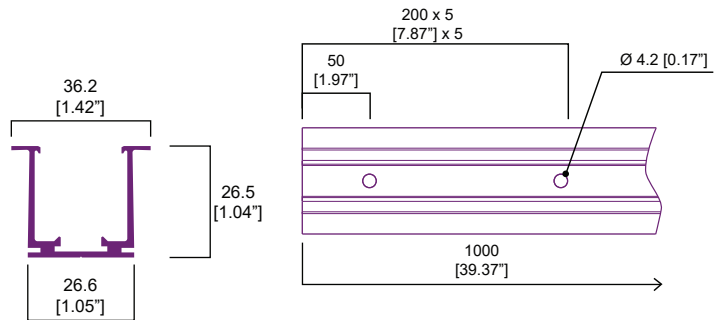
Recessed Mounting Clip

Part# NVBRSL RCP



Recessed Mounting Channel

Part# NVBRSL RCH



For more detail, please download the CAD Drawing

PROJECT

CLIENT

TYPE

Solid State Lighting is sensitive to power fluctuations
Surge protection is highly recommended for all LED lighting products and should be on a designated circuit to protect against premature failure
Lack of surge protection may void your warranty

For more information, please download the
BL LIGHTING catalogue

BL LIGHTING. ILLUMINATE EVERYTHING

111 - 8838 Heather St. Vancouver, BC, Canada. V6P 3S8
P: 1-604-874-4405 E: info@blighting.com
Copyright © BL INNOVATIVE LIGHTING. All Rights Reserved.

blighting.com

