

BL neonVIEW SIDE SI SC

Diffused, Flexible, Linear LED Lighting,
24VDC, Constant Voltage, Vertical Bend,
Side Profile, Silicone, Single Color



BL neonVIEW SIDE SI SC has a fully flexible Silicone encapsulated diffuser and is rated for a range of operating temperatures from -40° F to 131° F (-40° C to 55° C) for sustained ability to weather the elements, even in the most extreme environmental conditions. The unique vertical bending across the flat light surface is ideal for circular coves, contours and side-emitting light. The 120° beam angle delivers up to 290 lm/ft and provides uniform, dot-free illumination. BL neonVIEW SIDE SI SC is ideal for building outlines, facades, signage and exterior architectural accents.

| | |
|--------------|--|
| CLIENT | |
| PROJECT NAME | |
| LOCATION | |
| DATE | |

Dot-free Seamless connections -40°F to 131°F (-40°C to 55°C)

Product Detail



| | | |
|---------------|-----------------------|----------------------------------------------------------------|
| Lighting | Lamp | LED, SMD 2835 |
| | LED's Per Foot | 38 LEDs/ft (126 LEDs/m) |
| | Beam Angle | 120° |
| | Average Life | 50,000 Hours |
| Electrical | Controls | 0-10V, MLV, ELV, Phase-Cut, Triac, DMX, Bluetooth |
| | Input Voltage | 24VDC |
| | Max Input Current | 4.12A (White) |
| | Connections | 18AWG, Copper Conductors |
| | Power Cable Length | Standard 10ft (3m). Also available in 16ft (5m) and 32ft (10m) |
| Mechanical | Circuit | Class 2 |
| | Housing Construction | Injection Moulded White Silicone |
| | Minimum Bend Radius | 5.9" (150mm) |
| Environmental | Operating Temperature | -40°F to 131°F (-40°C to 55°C) |
| | Ingress Protection | IP68 |
| | Impact Protection | IK10 |
| | Vibration Rating | 3G |
| | Resistance | UV, Flame, Solvents and Saltwater Resistant |
| | Certifications | cULus, CE, RoHS Compliant |



Performance

| CCT/Color | | 2200K | 2700K | 3000K | 3500K | 4000K | 5700K | Red | Green | Blue | Amber | | |
|-------------|--------------|-----------------|-----------|-----------|-----------|-----------|-----------|-------------------|-------------|-----------------|-------------|-------------------|--|
| Power | W/FT (W/m) | 3.66 (12) | | | | | | 2.44 (8) | 3.66 (12) | | 2.44 (8) | | |
| Lumens | lm/FT (lm/m) | 265 (870) | 274 (900) | 290 (950) | 290 (950) | 287 (940) | 287 (940) | 56 (185) | 168 (550) | 37 (120) | 56 (185) | | |
| Efficacy | lm/W | 72 | 75 | 79 | 79 | 78 | 78 | 23 | 46 | 10 | 23 | | |
| CRI | CRI | 80 | | | | | | - | | | | | |
| Increment | inch (mm) | 2.19 (55.6) | | | | | | 3.28 (83.3) | 2.19 (55.6) | | 3.28 (83.3) | | |
| Max. Length | ft (m) | 24ft 6in (7.5m) | | | | | | 35ft 11in (10.9m) | | 24ft 6in (7.5m) | | 35ft 11in (10.9m) | |

Ordering

| Product Code | CCT/Color | Lead Orientation | Mounting Accessories* |
|-------------------|-----------|--------------------------------|------------------------------------------|
| BL neonVIEW SL SI | | | |
| | 2200K | NVS SL BC 68 = Back Lead | NVSL CPS = Mounting Clip |
| | 2700K | NVS SL EC 68 = End Lead | NVSL CHS = Mounting Channel |
| | 3000K | NVS SL RC 68 = Right Side Lead | NVSL RCPS = Recessed Mounting Clip |
| | 3500K | NVS SL LC 68 = Left Side Lead | NVSL RCHS = Recessed Mounting Channel |
| | 4000K | | NVSL FCHS AL = Flexible Mounting Channel |
| | 5700K | | |
| | Red | | |
| | Green | | |
| | Blue | | |
| Amber | | | |

* Stainless steel and composite mounting options are also available.

BL LIGHTING ILLUMINATE EVERYTHING

111 - 8838 Heather St. Vancouver, BC, Canada. V6P 3S8
P: 1-804-874-4405 E: info@blighting.com
Copyright © BL INNOVATIVE LIGHTING. All Rights Reserved.

Solid State Lighting is sensitive to power fluctuations. Surge protection is highly recommended for all LED lighting products and should be on a dedicated circuit to protect against premature failure. Lack of surge protection may void your warranty.

Designed & Assembled in North America.

Specifications subject to change without notice. Please refer to our website at blighting.com for current technical data.

For more information, please download the BL LIGHTING catalog

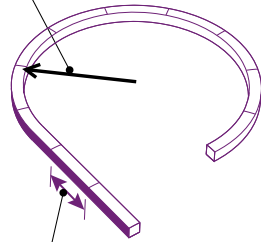
blighting.com



Minimum Bend Radius and Bend Orientation

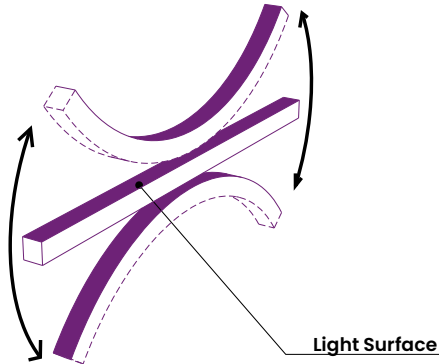
Minimum Bend Radius

5.9" (150mm)



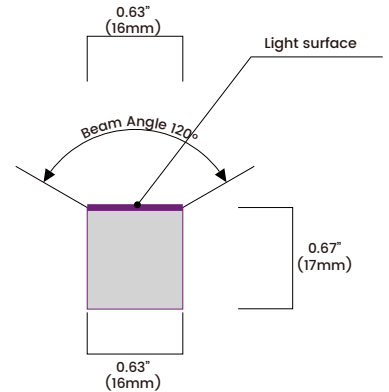
Cutting Increments

2.19" (55.6mm): White/Green/Blue
3.28" (83.3mm): Red/Amber



BL neonVIEW SIDE Series bends vertically
Horizontal bend option also available (HB Version)

Beam Angle & Viewing Angle

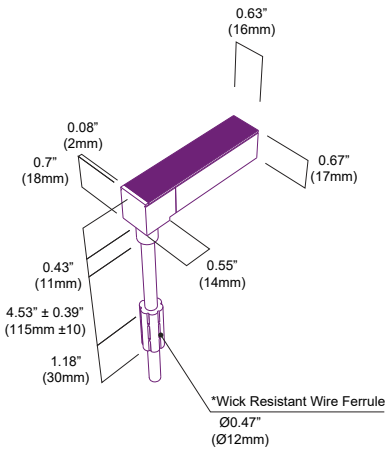


Average Beam Angle (50%): 113.2°

Dimensions & Lead Orientations

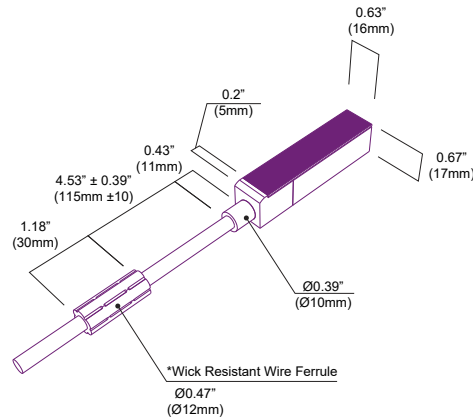
Back Lead

NVS SL BC 68

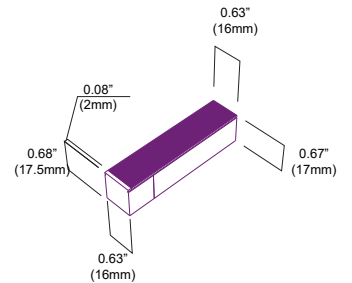


End Lead

NVS SL EC 68

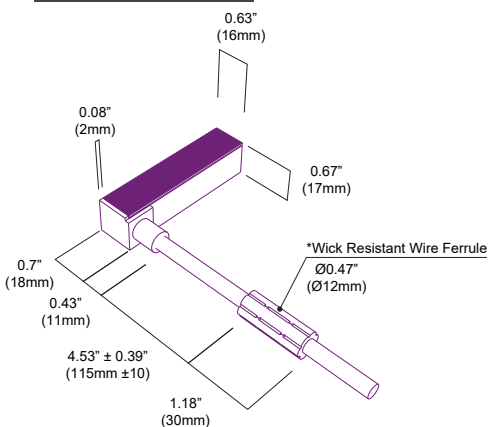


End Cap



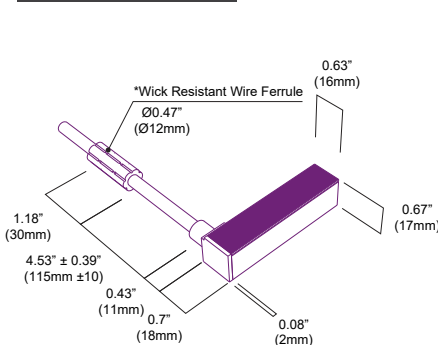
Right Side Lead

NVS SL RC 68



Left Side Lead

NVS SL LC 68



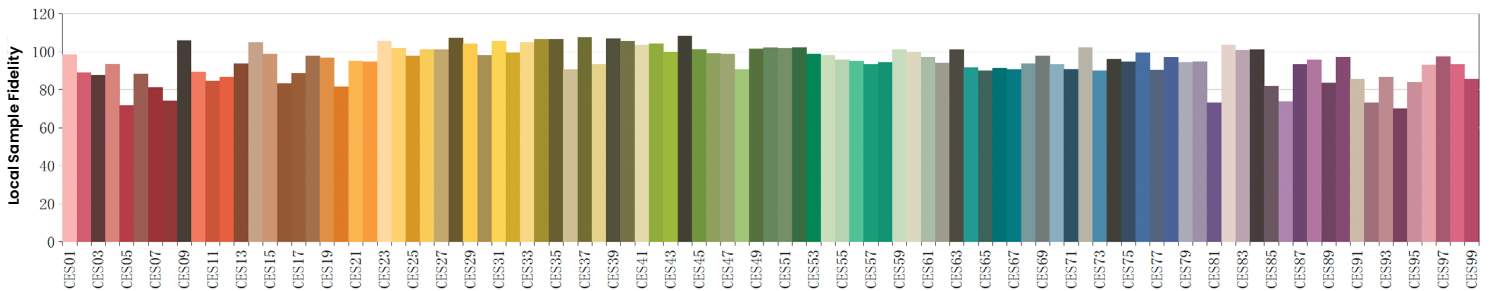
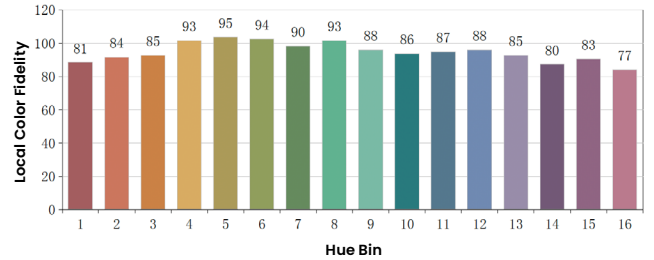
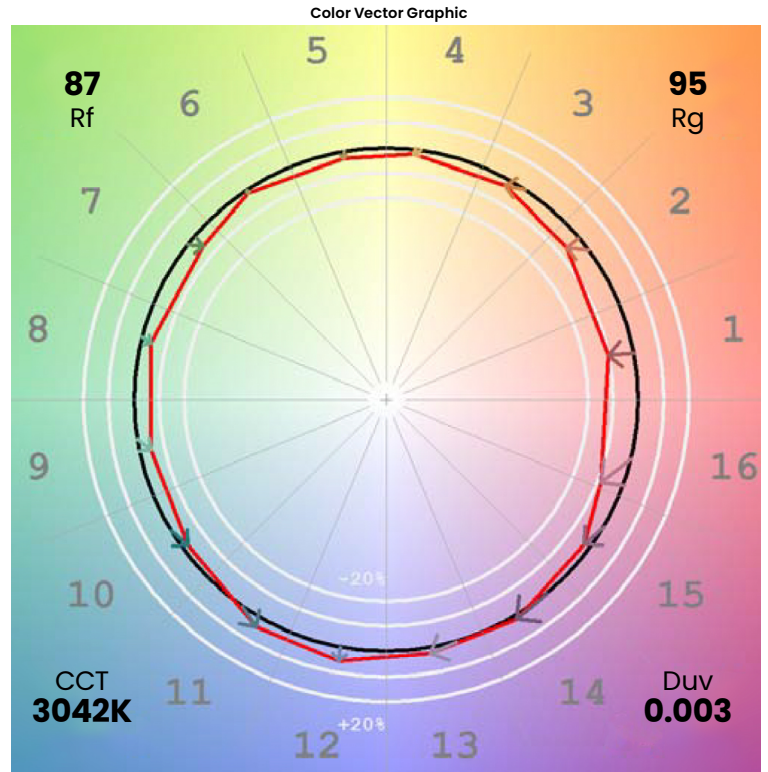
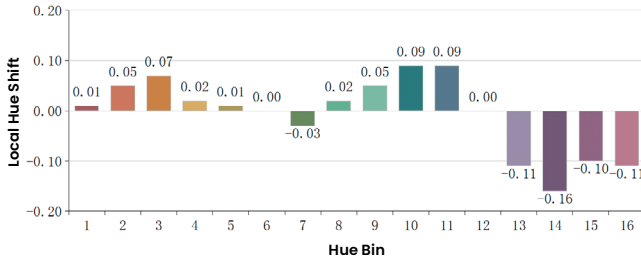
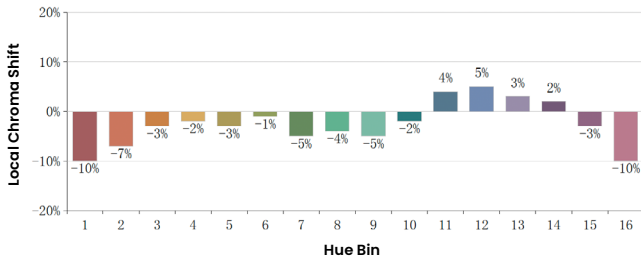
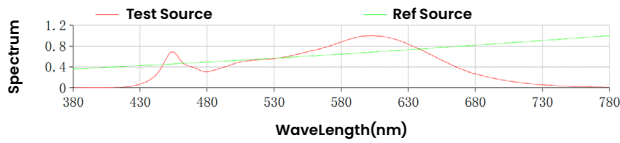
*The Wick Resistant Wire Ferrule is built into the lead wire, 4.5" (115mm) from the BL neonVIEW Termination Connection, for additional moisture ingress protection. Removal of the Wick Resistant Wire Ferrule may void your warranty.



Colorimetric Details

| CCT | CRI | Rf | Rg |
|-------|-----|----|----|
| 3000K | 85 | 87 | 95 |

Rf: 87 CCT: 3042K u': 0.2397
Rg: 95 Duv: 0.003 v': 0.5149



*All results in accordance with ANSI C78.377 standard

BL LIGHTING ILLUMINATE EVERYTHING

111 - 8838 Heather St. Vancouver, BC, Canada. V6P 3S8
P: 1-804-874-4405 E: info@bllighting.com
Copyright © BL INNOVATIVE LIGHTING. All Rights Reserved.

Solid State Lighting is sensitive to power fluctuations. Surge protection is highly recommended for all LED lighting products and should be on a dedicated circuit to protect against premature failure. Lack of surge protection may void your warranty.

Designed & Assembled in North America.

Specifications subject to change without notice. Please refer to our website at bllighting.com for current technical data.

For more information, please download the BL LIGHTING catalog



bllighting.com