

BL neonVIEW SAUNA SIDE SI SC HB

Diffused, Flexible, Linear LED Lighting,
24VDC, Constant Voltage
Side Profile, Silicone, Single Color



Create seamless lines of light, up to 50ft in length, with marine-grade IP68 wet location rated injection molded terminations. With safe 24VDC operation, a low power draw of just 1.83 watts per foot, and superior resistance to humidity and heat up to 203°F (95°C), BL neonVIEW SAUNA SIDE SI SC HB is fully dimmable, long lasting, and ideal for providing calm, revitalizing lighting in spas, saunas, steam rooms and hot springs.

Dot-free | **Seamless connections** | **120 ° beam angle** | **Vertical Bend**
-40°F to 203°F (-40°C to 95°C)

CLIENT	
PROJECT NAME	
LOCATION	
DATE	

Product Detail



Lighting	Number of LED's	32 Diodes/FT (108/m)
	Beam Angle	120°
	Average Life	50,000 Hours
Electrical	Controls	0-10V, MLV, ELV, Phase-Cut, Triac, DMX, Bluetooth
	Input Voltage	24VDC
	Max Input Current	4.12A (White)
	Connections	18AWG, Copper Conductors
	Power Cable	Standard 10ft (3m). Also available in 16ft (5m) and 32ft (10m)
Mechanical	Operating Temperature	-40°F to 203°F (-40°C to 95°C)
	Circuit	Class 2
	Housing Construction	Injection Moulded White Silicone
	Medial Bend Radius	5-7/8" (150mm)
Environmental	Ingress Protection	IP67, IP68
	Impact Protection	IK08
	Vibration Rating	3G
	Environmental	UV, Flame, Solvent and Saltwater Resistant
	Certifications	cULus, CE, ANSI C78.377, RoHS Compliant



Performance

CCT		2200K	2700K	3000K	3500K	4000K	5700K
Power	W/FT (W/m)	1.83 (5.5)					
Lumens	lm/FT (lm/m)	74(243)	87(285)	90(295)	90(295)	90(295)	90(295)
Efficacy	lm/W	40	48	49	49	49	49
CRI	CRI	80+					
Increment	inch (mm)	2-3/16(55.6)					
Max. Length	ft (m)	50ft (15m)					

Ordering

Product Code	CCT/Color	Lead Orientation	IP Rating	Mounting Accessories**
BL neonVIEW SAUNA SIDE SI SC HB	2200K	BC = Back Lead	IP67	NVSLCPS = Mounting Clip
	2700K	EC = End Lead		IP68
	3000K	RSC = Right Side Lead	NVSLRCPS = Recessed Mounting Clip	
	3500K	LSC = Left Side Lead	NVSLRCHS = Recessed Mounting Channel	
	4000K		NVSLCCH = Composite Mounting Clip	
	5700K		NVSLCCP = Composite Mounting Channel	
				NVMA45AL = 45° Mounting Channel Adaptor
				NVMALB = 180° Adjustable Mounting Channel Adapter
				NVSLFCHSAL = Flexible Mounting Channel

** Stainless steel, composite and flexible mounting options are also available.

BL LIGHTING ILLUMINATE EVERYTHING

111 - 8838 Heather St. Vancouver, BC, Canada. V6P 3S8
P: 1-804-874-4405 E: info@bllighting.com
Copyright © BL INNOVATIVE LIGHTING. All Rights Reserved.

Solid State Lighting is sensitive to power fluctuations. Surge protection is highly recommended for all LED lighting products and should be on a dedicated circuit to protect against premature failure. Lack of surge protection may void your warranty.

Designed & Assembled in North America.

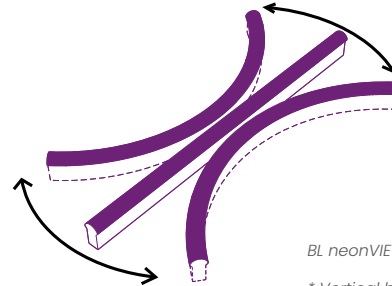
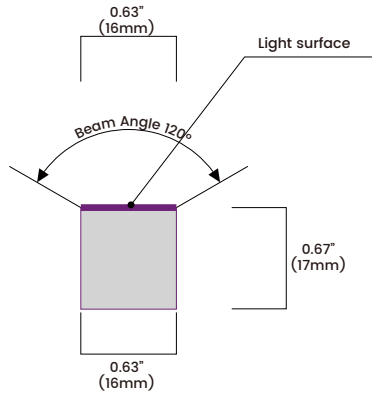
Specifications subject to change without notice. Please refer to our website at bllighting.com for current technical data.

For more information, please download the BL LIGHTING catalog

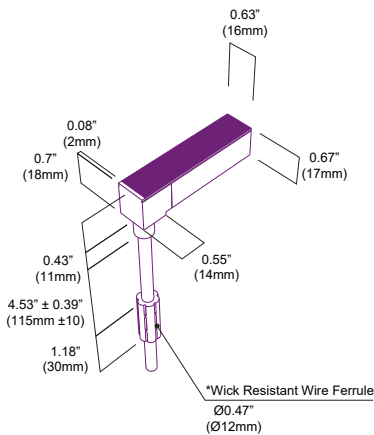
bllighting.com



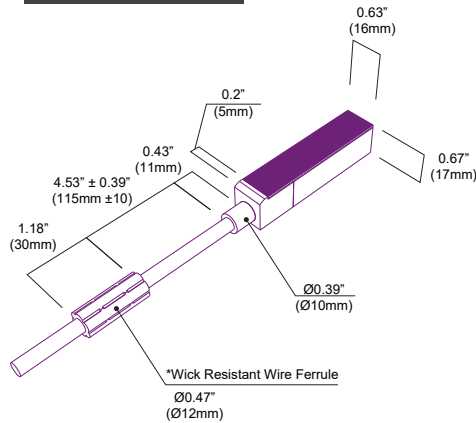
Dimensions



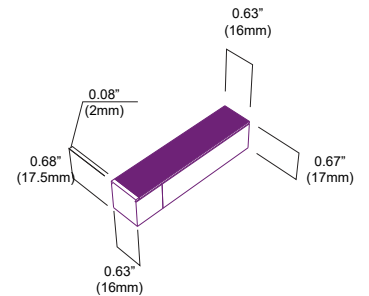
Back Lead NVSTKSMBC



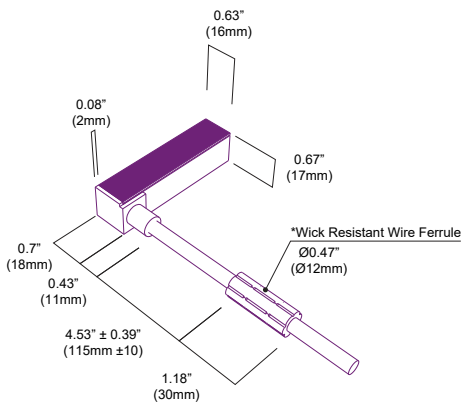
End Lead NVSTKSMEC



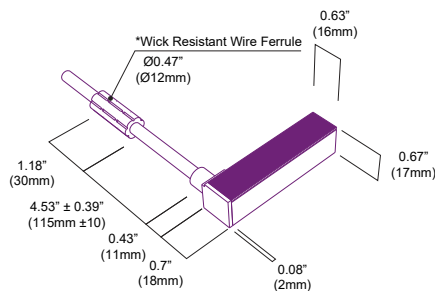
End Cap



Right Side Lead NVSTKSMRSC



Left Side Lead NVSTKSMMLSC



*The Wick Resistant Wire Ferrule is built into the lead wire, 4.5" (115mm) from the BL neonVIEW Termination Connection, for additional moisture ingress protection. Removal of the Wick Resistant Wire Ferrule may void your warranty.

