

BL neonVIEW

Diffused, Flexible, Linear LED Lighting,
Side Emitting, 24VDC, Constant Voltage

SAUNA SIDE SI SC HB

Side Light, Silicone, Single color

Printed



Certification



Lighting



Lamp	LED, SMD 5050
LED's Per Foot	32 LEDs/ft (108 LEDs/m)
Power	* 1.83 W/FT
Beam Angle	120°
Average Life	50,000 Hours
Lumens	* 74-90 lm/FT
Efficacy	* 40-49 lm/W

Electrical

Control	0-10V, MLV, ELV, Phase-Cut, Triac, DMX, Bluetooth
Input Voltage	24VDC
Max Input Current	4.12A (White)
Connections	18AWG, Copper Conductors
Operating Temperature	-40°F to 203°F (-40°C to 95°C)
Circuit	Class 2

Mechanical

Housing Construction	Injection Moulded White Silicone
Environmental	IP68 (Seamless Injection Molded)
Mounting	Clip, Track

* Please refer to the performance table on the following page

PROJECT

CLIENT

TYPE

Solid State Lighting is sensitive to power fluctuations
Surge protection is highly recommended for all LED lighting products and should be on a designated circuit to protect against premature failure
Lack of surge protection may void your warranty

For more information, please download the
BL LIGHTING catalogue

BL LIGHTING. ILLUMINATE EVERYTHING

111 - 8838 Heather St. Vancouver, BC, Canada. V6P 3S8
P: 1-604-874-4405 E: info@blighting.com
Copyright © BL INNOVATIVE LIGHTING. All Rights Reserved.

blighting.com



BL neonVIEW

Diffused, Flexible, Linear LED Lighting,
Side Emitting, 24VDC, Constant Voltage

SAUNA SIDE SI SC HB

Side Light, Silicone, Single color

Printed

Performance

CCT/Color	Load	Lumens	Efficacy	Max. Length	Cutting Increments
2200K	1.83 W/FT	74 lm/FT	40 lm/W	48 ft 0 in	2-3/16 in (55.6mm)
2700K	1.83 W/FT	87 lm/FT	48 lm/W	48 ft 0 in	2-3/16 in (55.6mm)
3000K	1.83 W/FT	90 lm/FT	49 lm/W	48 ft 0 in	2-3/16 in (55.6mm)
3500K	1.83 W/FT	90 lm/FT	49 lm/W	48 ft 0 in	2-3/16 in (55.6mm)
4000K	1.83 W/FT	90 lm/FT	49 lm/W	48 ft 0 in	2-3/16 in (55.6mm)
5700K	1.83 W/FT	90 lm/FT	49 lm/W	48 ft 0 in	2-3/16 in (55.6mm)

Ordering

Product Name

CCT/Color

Lead Orientation

Mounting Accessories

BL neonVIEW SN SL SI HB

2200K
2700K
3000K
3500K
4000K
5700K

NVS SL BC 68 = Back Lead
NVS SL EC 68 = End Lead
NVS SL RC 68 = Right Side Lead
NVS SL LC 68 = Left Side Lead

NVSL CPS = Mounting Clip
NVSL CHS = Mounting Channel
NVSL RCPS = Recessed Mounting Clip
NVSL RCHS = Recessed Mounting Channel

PROJECT

CLIENT

TYPE

Solid State Lighting is sensitive to power fluctuations
Surge protection is highly recommended for all LED lighting products and should be on a designated circuit to protect against premature failure
Lack of surge protection may void your warranty

For more information, please download the
BL LIGHTING catalogue

BL LIGHTING. ILLUMINATE EVERYTHING

111 - 8838 Heather St. Vancouver, BC, Canada. V6P 3S8
P: 1-604-874-4405 E: info@blighting.com
Copyright © BL INNOVATIVE LIGHTING. All Rights Reserved.

blighting.com



BL neonVIEW

Diffused, Flexible, Linear LED Lighting,
Side Emitting, 24VDC, Constant Voltage

SAUNA SIDE SI SC HB

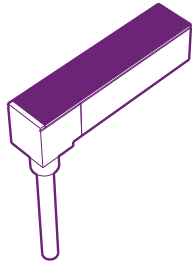
Side Light, Silicone, Single color

Printed

Lead Orientation

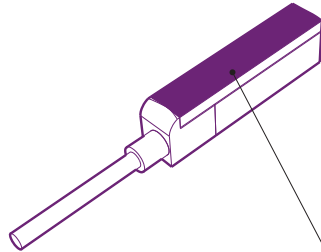
Back Lead

Part# NVS SL BC 68



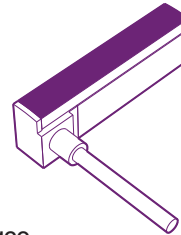
End Lead

Part# NVS SL EC 68



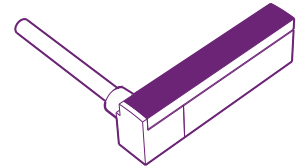
Right Side Lead

Part# NVS SL RC 68



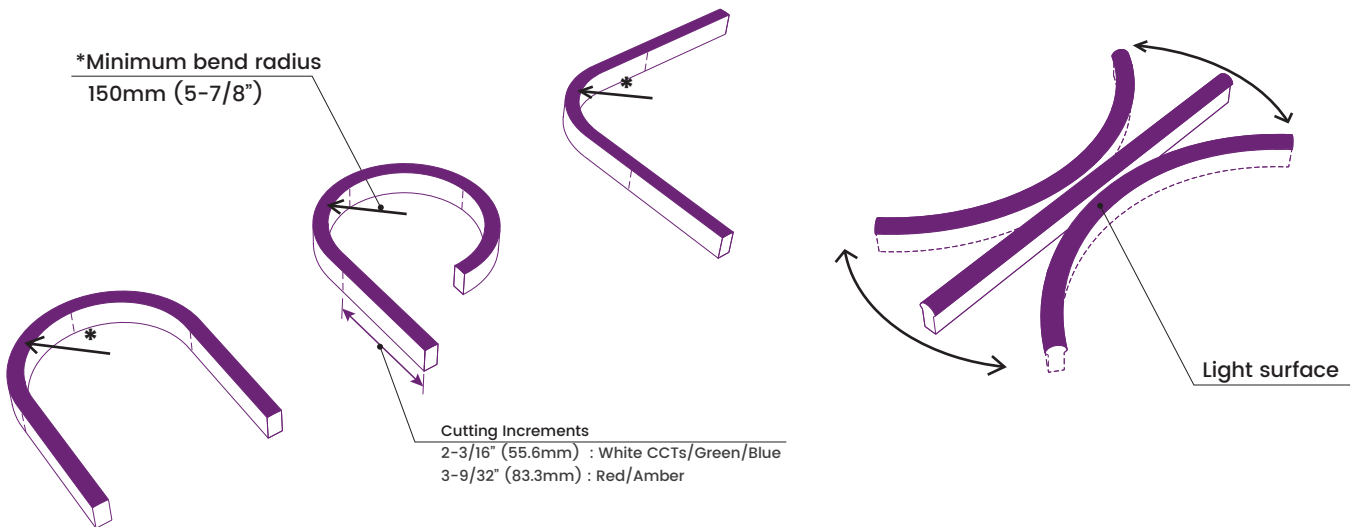
Left Side Lead

Part# NVS SL LC 68



Minimum Bend Radius and Bend Orientations

*Minimum bend radius
150mm (5-7/8")



BL neonVIEW SIDE SI SC HB bends horizontally
Vertical bend option available
(BL neonVIEW SIDE SI SC)

PROJECT

CLIENT

TYPE

Solid State Lighting is sensitive to power fluctuations
Surge protection is highly recommended for all LED lighting products and should be on a designated circuit to protect against premature failure
Lack of surge protection may void your warranty

For more information, please download the
BL LIGHTING catalogue

BL LIGHTING. ILLUMINATE EVERYTHING

111 - 8838 Heather St. Vancouver, BC, Canada. V6P 3S8
P: 1-604-874-4405 E: info@blighting.com
Copyright © BL INNOVATIVE LIGHTING. All Rights Reserved.

blighting.com



BL neonVIEW

Diffused, Flexible, Linear LED Lighting,
Side Emitting, 24VDC, Constant Voltage

SAUNA SIDE SI SC HB

Side Light, Silicone, Single color

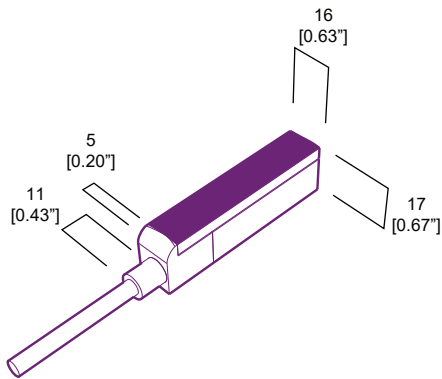
Printed



Dimensions

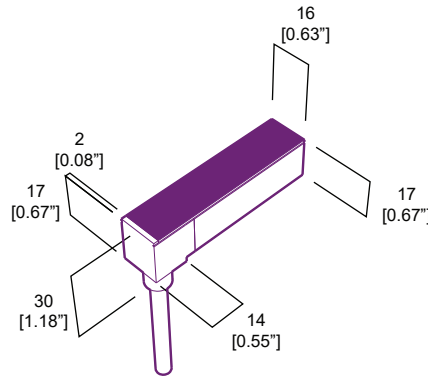
End Lead

Part# NVS SL EC 68

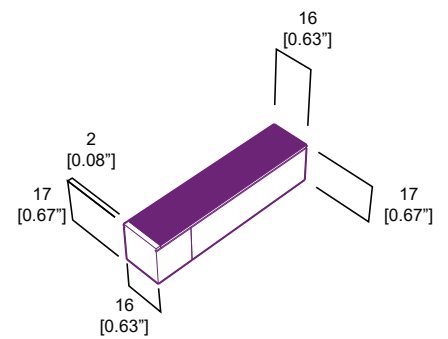


Back Lead

Part# NVS SL BC 68

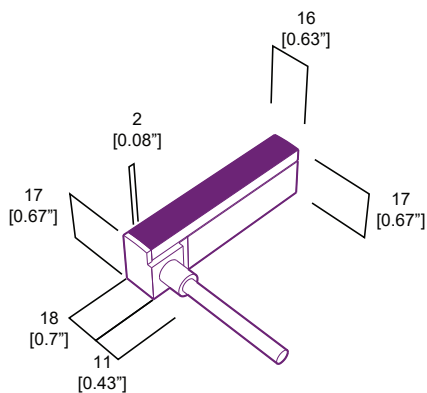


End Cap



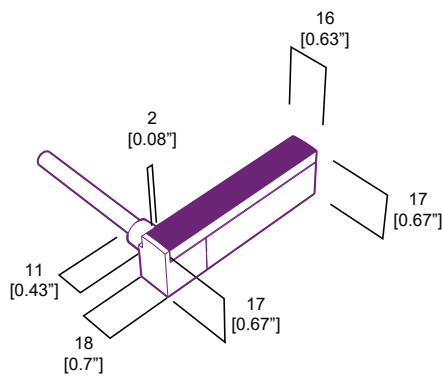
Right Side Lead

Part# NVS SL RC 68



Left Side Lead

Part# NVS SL LC 68



The tolerance of the Lead is $\pm 0.5\text{mm}$
For more detail, please download the CAD Drawing

PROJECT

CLIENT

TYPE

Solid State Lighting is sensitive to power fluctuations
Surge protection is highly recommended for all LED lighting products and should be on a designated circuit to protect against premature failure
Lack of surge protection may void your warranty

For more information, please download the
BL LIGHTING catalogue

BL LIGHTING. ILLUMINATE EVERYTHING

111 - 8838 Heather St. Vancouver, BC, Canada. V6P 3S8
P: 1-604-874-4405 E: info@blighting.com
Copyright © BL INNOVATIVE LIGHTING. All Rights Reserved.

blighting.com

