

BL neonVIEW

Diffused, Flexible, Linear LED Lighting,
Side Emitting, 24VDC, Constant Voltage

SAUNA SIDE SI RGBW

Side Light, Silicone, Color changing

Printed



Certification



Lighting



Lamp	LED, SMD 5050
LED's Per Foot	26 LEDs/ft (84 LEDs/m)
Power	* 1.83 W/FT
Beam Angle	120°
Average Life	50,000 Hours
Lumens	* 74 lm/FT
Efficacy	* 40 lm/W

Electrical

Control	DMX, Bluetooth
Input Voltage	24VDC
Max Input Current	4.12A
Connections	20AWG, Copper Conductors
Operating Temperature	-40°F to 203°F (-40°C to 95°C)
Circuit	Class 2

Mechanical

Housing Construction	Injection Moulded White Silicone
Environmental	IP68 (Seamless Injection)
Mounting	* Clip, Track

* Please refer to the performance table on the following page

PROJECT

CLIENT

TYPE

Solid State Lighting is sensitive to power fluctuations
Surge protection is highly recommended for all LED lighting products and should be on a designated circuit to protect against premature failure
Lack of surge protection may void your warranty

For more information, please download the
BL LIGHTING catalogue

BL LIGHTING. ILLUMINATE EVERYTHING

111 - 8838 Heather St. Vancouver, BC, Canada. V6P 3S8
P: 1-604-874-4405 E: info@blighting.com
Copyright © BL INNOVATIVE LIGHTING. All Rights Reserved.

blighting.com



BL neonVIEW

Diffused, Flexible, Linear LED Lighting,
Side Emitting, 24VDC, Constant Voltage

SAUNA SIDE SI RGBW

Side Light, Silicone, Color changing

Printed

Performance

CCT/Color	Load	Lumens	Efficacy	Max. Length	Cutting Increments
RGBW (2700K)	1.83 W/FT	74 lm/FT	40 lm/W	48 ft 0 in	3.28 in (83.3mm)
RGBW (3000K)	1.83 W/FT	74 lm/FT	40 lm/W	48 ft 0 in	3.28 in (83.3mm)
RGBW (4000K)	1.83 W/FT	74 lm/FT	40 lm/W	48 ft 0 in	3.28 in (83.3mm)

Ordering

Product Name

Color

Lead Orientation

Mounting Accessories

BL neonVIEW SN SL SI

RGBW (2700K)
RGBW (3000K)
RGBW (4000K)

NVS RGBW SL BC 68 = Back Lead
NVS RGBW SL BC 68 = End Lead
NVS RGBW SL BC 68 = Right Side Lead
NVS RGBW SL BC 68 = Left Side Lead

NVSL CPS = Mounting Clip
NVSL CHS = Mounting Channel
NVSL RCPS = Recessed Mounting Clip
NVSL RCHS = Recessed Mounting Channel

PROJECT

CLIENT

TYPE

Solid State Lighting is sensitive to power fluctuations
Surge protection is highly recommended for all LED lighting products and should be on a designated circuit to protect against premature failure
Lack of surge protection may void your warranty

For more information, please download the
BL LIGHTING catalogue

BL LIGHTING. ILLUMINATE EVERYTHING

111 - 8838 Heather St. Vancouver, BC, Canada. V6P 3S8
P: 1-604-874-4405 E: info@blighting.com
Copyright © BL INNOVATIVE LIGHTING. All Rights Reserved.

blighting.com



BL neonVIEW

Diffused, Flexible, Linear LED Lighting,
Side Emitting, 24VDC, Constant Voltage

SAUNA SIDE SI RGBW

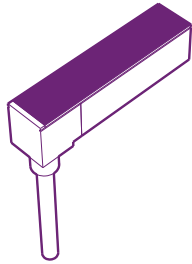
Side Light, Silicone, Color changing

Printed

Lead Orientation

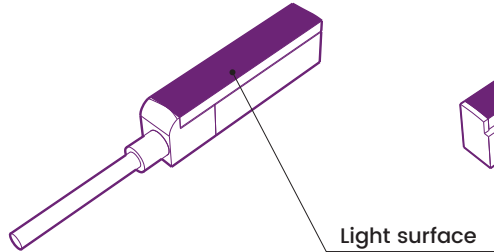
Back Lead

Part# NVS RGBW SL BC 68



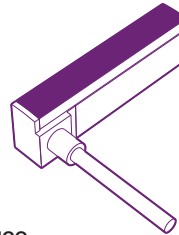
End Lead

Part# NVS RGBW SL EC 68



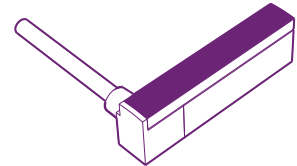
Right Side Lead

Part# NVS RGBW SL RC 68

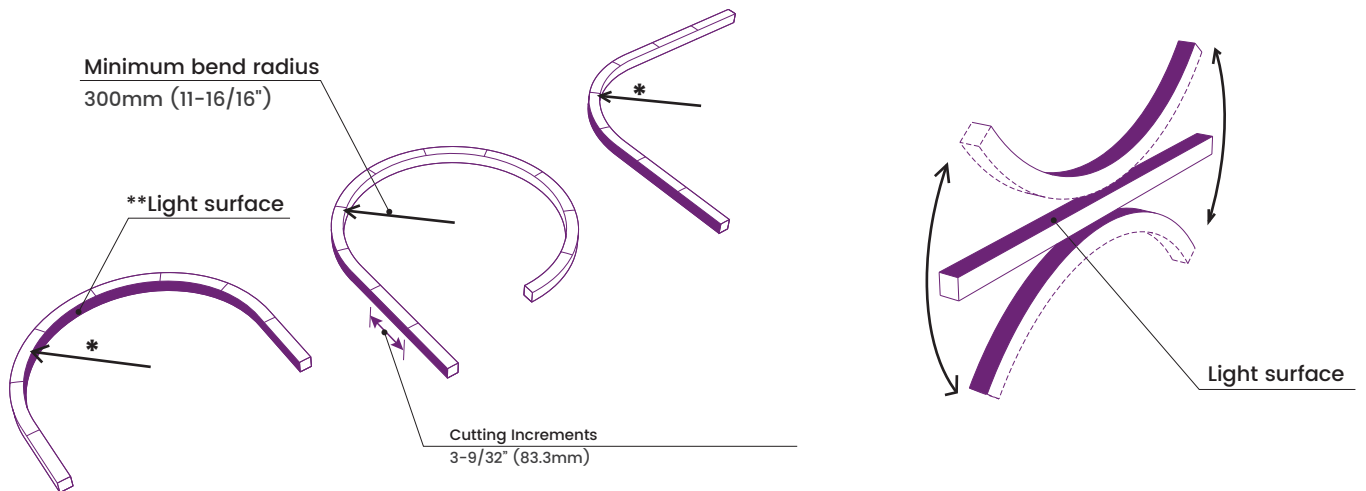


Left Side Lead

Part# NVS RGBW SL LC 68



Minimum Bend Radius and Bend Orientations



**Light surface could be inside or outside.

BL neonVIEW SIDE Series bends vertically
*Horizontally bend option also available on
BL neonVIEW DOME and FLAT Series

PROJECT

CLIENT

TYPE

Solid State Lighting is sensitive to power fluctuations
Surge protection is highly recommended for all LED lighting products and should be on a designated circuit to protect against premature failure
Lack of surge protection may void your warranty

For more information, please download the
BL LIGHTING catalogue

BL LIGHTING. ILLUMINATE EVERYTHING

111 - 8838 Heather St. Vancouver, BC, Canada. V6P 3S8
P: 1-604-874-4405 E: info@blighting.com
Copyright © BL INNOVATIVE LIGHTING. All Rights Reserved.

blighting.com



BL neonVIEW

Diffused, Flexible, Linear LED Lighting,
Side Emitting, 24VDC, Constant Voltage

SAUNA SIDE SI RGBW

Side Light, Silicone, Color changing

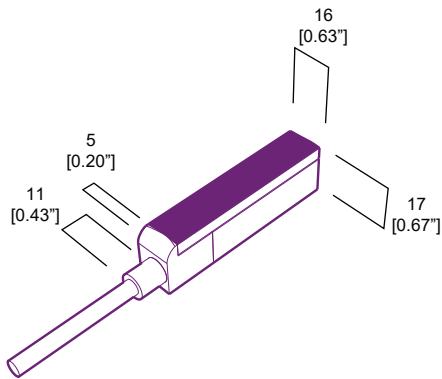
Printed



Dimensions

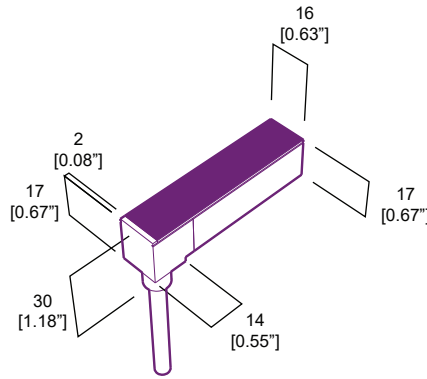
End Lead

Part# NVS RGBW SL EC 68

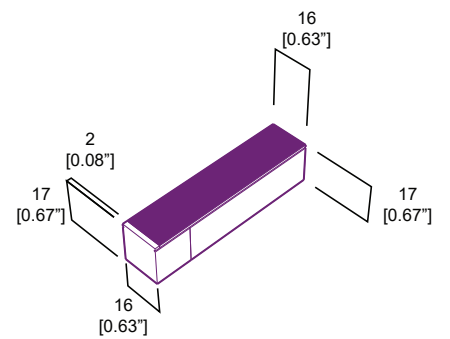


Back Lead

Part# NVS RGBW SL BC 68

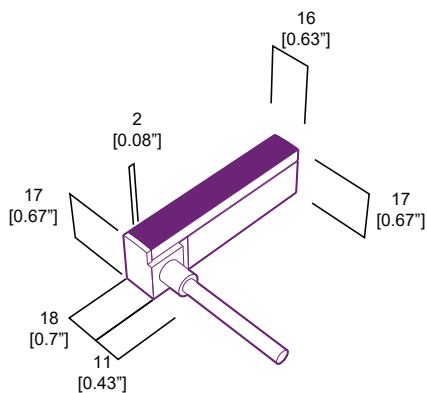


End Cap



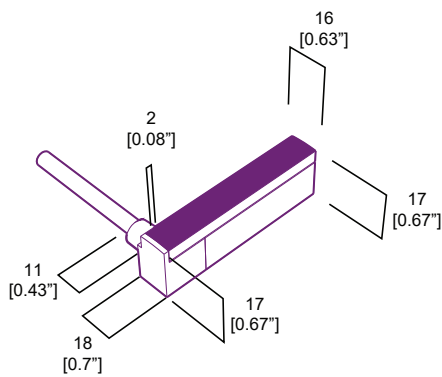
Right Side Lead

Part# NVS RGBW SL RC 68



Left Side Lead

Part# NVS RGBW SL LC 68



The tolerance of the Lead is $\pm 0.5\text{mm}$
For more detail, please download the CAD Drawing

PROJECT CLIENT TYPE

Solid State Lighting is sensitive to power fluctuations
Surge protection is highly recommended for all LED lighting products and should be on a designated circuit to protect against premature failure
Lack of surge protection may void your warranty

For more information, please download the
BL LIGHTING catalogue

BL LIGHTING. ILLUMINATE EVERYTHING

111 - 8838 Heather St. Vancouver, BC, Canada. V6P 3S8
P: 1-604-874-4405 E: info@blighting.com
Copyright © BL INNOVATIVE LIGHTING. All Rights Reserved.

blighting.com

