

BL neonVIEW SAUNA FLAT SI RGBW

Diffused, Flexible, Linear LED Lighting,
24VDC, Constant Voltage
Flat Profile, Silicone, Color Changing, Sauna



Create seamless lines of light, up to 48ft in length, with marine-grade IP68 wet location rated injection molded terminations. With safe 24VDC operation, a low power draw of just 1.52 watts per foot, and superior resistance to humidity and heat up to 203°F (95°C), BL neonVIEW SAUNA FLAT SI RGBW is fully dimmable, long lasting, and ideal for providing calm, revitalizing lighting in spas, saunas, steam rooms and hot springs.

- Dot-free
- Seamless connections
- 40°F to 203°F (-40°C to 95°C)
- Color Changing
- Sauna Rated

CLIENT	
PROJECT NAME	
LOCATION	
DATE	

Product Detail



- IP68
- LOW
- DMX
- Bluetooth
- 3 YEAR WARRANTY
- CE
- RoHS
- UL LISTED
- SOLVENTS RESISTANT
- UV SHIELD
- FLAME RESISTANT
- SALT WATER RESISTANT
- IK10 PROTECTION
- SAUNA 203°F - 95°C

Lighting	Lamp	LED, SMD 5050
	LED's Per Foot	18 LEDs/ft (60 LEDs/m)
	Beam Angle	120°
	Average Life	50,000 Hours
Electrical	Controls	DMX, Bluetooth
	Input Voltage	24VDC
	Max Input Current	4.12A
	Connections	20AWG, Copper Conductors
	Power Cable Length	Standard 10ft (3m). Also available in 16ft (5m) and 32ft (10m)
Mechanical	Circuit	Class 2
	Housing Construction	Injection Moulded White Silicone
	Minimum Bend Radius	2.25" (60mm)
	Operating Temperature	-40°F to 203°F (-40°C to 95°C)
Environmental	Ingress Protection	IP68
	Impact Protection	IK10
	Vibration Rating	-
	Resistance	UV, Flame, Solvents and Saltwater Resistant
Certifications	cULus, CE, RoHS Compliant	

Performance

CCT/Color		RGBW (2700K)	RGBW (3000K)	RGBW (4000K)
Power	W/FT (W/m)	1.52 (5)		
Lumens	lm/FT (lm/m)	31 (102)	31 (102)	31 (102)
Efficacy	lm/W	20	20	20
CRI	CRI	80 (white LED only)		
Increment	inch (mm)	3.94 (100)		
Max. Length	ft (m)	48ft 0in (14.6m)		

Ordering

Product Code	Color	Lead Orientation	Mounting Accessories*
BL neonVIEW SN FT SI			
	RGBW (2700K)	NVS RGBW FT BC 68 = Back Lead	NV CPS = Mounting Clip
	RGBW (3000K)	NVS RGBW FT EC 68 = End Lead	NV CHS = Mounting Channel
	RGBW (4000K)	NVS RGBW FT RC 68 = Right Side Lead	NV RCPS = Recessed Mounting Clip
		NVS RGBW FT LC 68 = Left Side Lead	NV RCHS = Recessed Mounting Channel
			NV FCHS AL = Flexible Mounting Channel

* Stainless steel and composite mounting options are also available.

BL LIGHTING ILLUMINATE EVERYTHING

111 - 8838 Heather St. Vancouver, BC, Canada. V6P 3S8
P: 1-804-874-4405 E: info@blighting.com
Copyright © BL INNOVATIVE LIGHTING. All Rights Reserved.

Solid State Lighting is sensitive to power fluctuations. Surge protection is highly recommended for all LED lighting products and should be on a dedicated circuit to protect against premature failure. Lack of surge protection may void your warranty.

Designed & Assembled in North America.

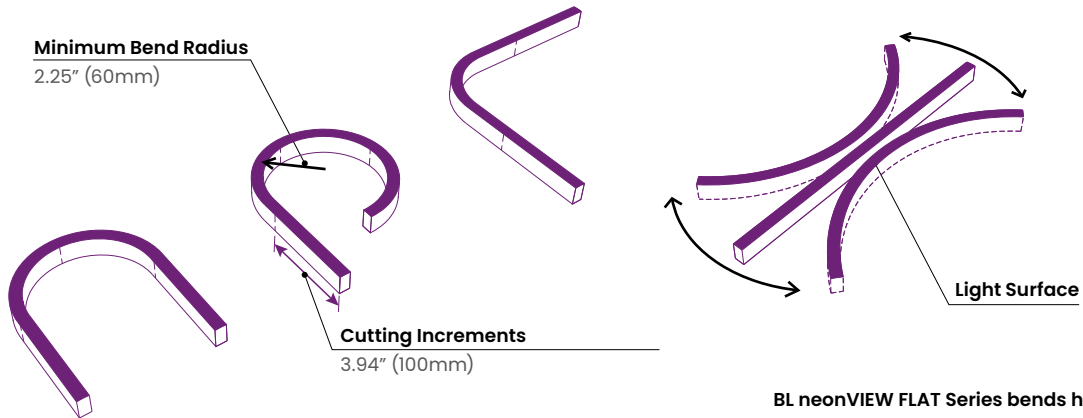
Specifications subject to change without notice. Please refer to our website at blighting.com for current technical data.

For more information, please download the BL LIGHTING catalog

blighting.com



Minimum Bend Radius and Bend Orientation

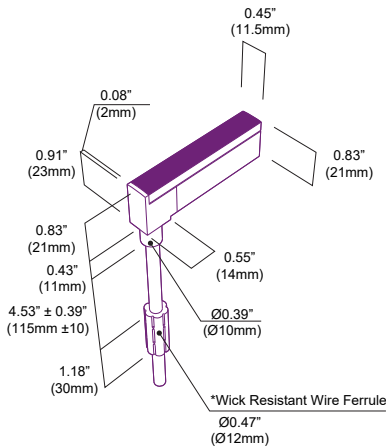


BL neonVIEW FLAT Series bends horizontally
Vertical bend option available on BL neonVIEW SIDE Series

Dimensions & Lead Orientations

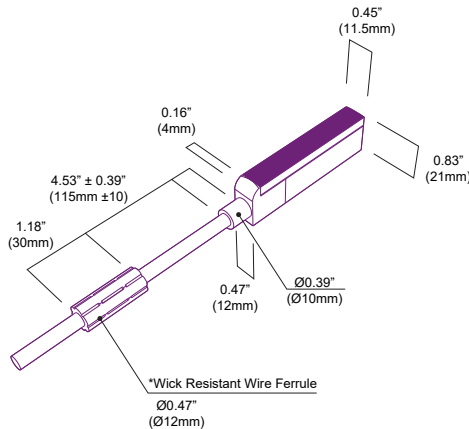
Back Lead

NVS RGBW FT BC 68

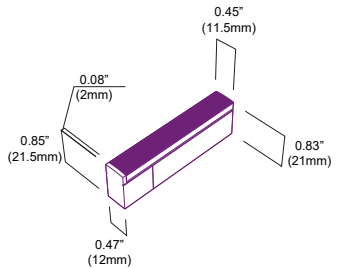


End Lead

NVS RGBW FT EC 68

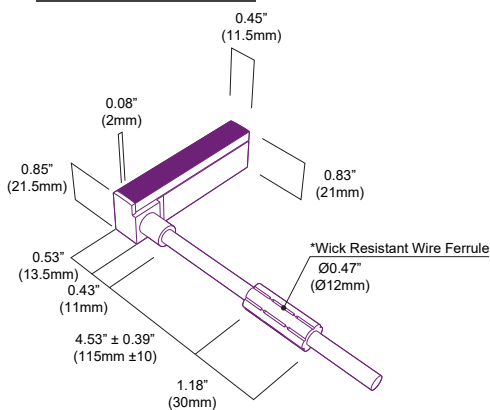


End Cap



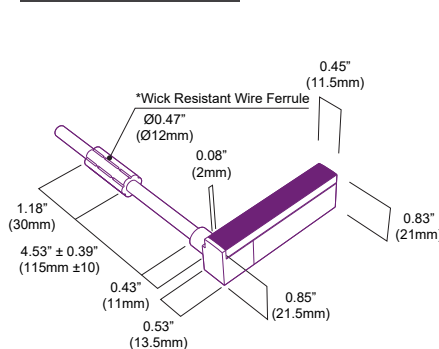
Right Side Lead

NVS RGBW FT RC 68



Left Side Lead

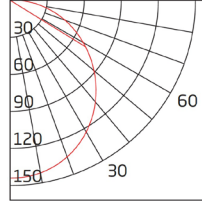
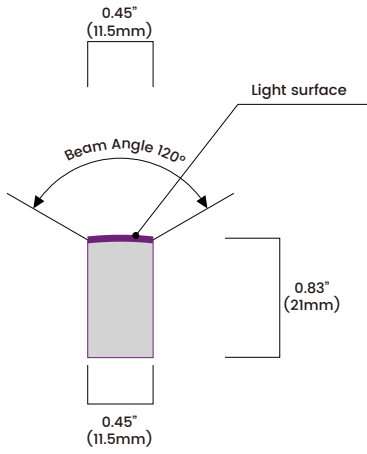
NVS RGBW FT LC 68



*The Wick Resistant Wire Ferrule is built into the lead wire, 4.5" (115mm) from the BL neonVIEW Termination Connection, for additional moisture ingress protection. Removal of the Wick Resistant Wire Ferrule may void your warranty.



Beam Angle



Unit: cd
— C90/270

Average Beam Angle (50%): 111.4°

