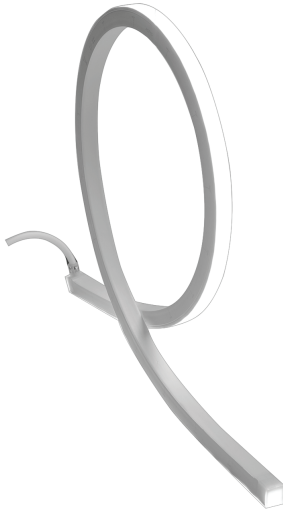


BL neonVIEW

Diffused, Flexible, Linear LED Lighting,
Side Emitting, 24VDC, Constant Voltage

PREMIUM CUT SIDE SI SC

Side Light, Silicone, Single color



Certification



Lighting



Lamp	LED, SMD 5050
LED's Per Foot	32 LEDs/ft (108 LEDs/m)
Power	* 3.66 W/FT
Beam Angle	120°
Average Life	50,000 Hours
Lumens	* 137-177 lm/FT
Efficacy	* 37-48 lm/W

Electrical

Control	0-10V, MLV, ELV, Phase-Cut, Triac, DMX, Bluetooth
Input Voltage	24VDC
Max Input Current	4.12A (White)
Connections	18AWG, Copper Conductors
Operating Temperature Circuit	-40°F to 131°F (-40°C to 55°C) Class 2

Mechanical

Housing Construction	Injection Moulded White Silicone
Cutting Increments	0.72" (18.5mm)
Maximum Run Length	25FT (7.9m)
Medial Bend Radius	* 150mm (5-7/8")
Environmental	IP68 (Seamless Injection Molded)
Mounting	Clip, Track

Accessories

NVS SL	** Factory installed termination kit
NVS SL JC	Factory installed jumper cable
NVSL CPS	Surface Mounting Clip
NVSL CHS	Surface Mounting Channel
NVSL RCPS	Recessed Mounting Clip
NVSL RCHS	Recessed Mounting Channel

* Please refer to the performance table on the following page

**Multiple Lead Orientation options available

PROJECT CLIENT TYPE

Solid State Lighting is sensitive to power fluctuations
Surge protection is highly recommended for all LED lighting products and should be on a designated circuit to protect against premature failure
Lack of surge protection may void your warranty

For more information, please download the
BL LIGHTING catalogue

BL LIGHTING. ILLUMINATE EVERYTHING

111 - 8838 Heather St. Vancouver, BC, Canada. V6P 3S8
P: 1-604-874-4405 E: info@blighting.com
Copyright © BL INNOVATIVE LIGHTING. All Rights Reserved.

blighting.com



BL neonVIEW

Diffused, Flexible, Linear LED Lighting,
Side Emitting, 24VDC, Constant Voltage

PREMIUM CUT SIDE SI SC

Side Light, Silicone, Single color

Performance

CCT/Color	Load	Lumens	Efficacy	Max. Length	Cutting Increments
2200K	3.66 W/FT	137 lm/FT	37 lm/W	25 ft 0 in	0.72 in (18.5mm)
2700K	3.66 W/FT	172 lm/FT	47 lm/W	25 ft 0 in	0.72 in (18.5mm)
3000K	3.66 W/FT	172 lm/FT	47 lm/W	25 ft 0 in	0.72 in (18.5mm)
3500K	3.66 W/FT	177 lm/FT	48 lm/W	25 ft 0 in	0.72 in (18.5mm)
4000K	3.66 W/FT	177 lm/FT	48 lm/W	25 ft 0 in	0.72 in (18.5mm)
5700K	3.66 W/FT	177 lm/FT	48 lm/W	25 ft 0 in	0.72 in (18.5mm)

Ordering

Product Name

BL neonVIEW PREMIUM CUT SIDE SI SC 24V

CCT

2200K
2700K
3000K
3500K
4000K
5700K

Lead Orientation

NVS SL BC = Back Lead
NVS SL EC = End Lead
NVS SL RC = Right Side Lead
NVS SL LC = Left Side Lead

Mounting Accessories

NVSL CPS = Mounting Clip
NVSL CHS = Mounting Channel
NVSL RCPS = Recessed Mounting Clip
NVSL RCHS = Recessed Mounting Channel

PROJECT

CLIENT

TYPE

Solid State Lighting is sensitive to power fluctuations
Surge protection is highly recommended for all LED lighting products and should be on a designated circuit to protect against premature failure
Lack of surge protection may void your warranty

For more information, please download the
BL LIGHTING catalogue

BL LIGHTING. ILLUMINATE EVERYTHING

111 - 8838 Heather St. Vancouver, BC, Canada. V6P 3S8
P: 1-604-874-4405 E: info@blighting.com
Copyright © BL INNOVATIVE LIGHTING. All Rights Reserved.

blighting.com



BL neonVIEW

Diffused, Flexible, Linear LED Lighting,
Side Emitting, 24VDC, Constant Voltage

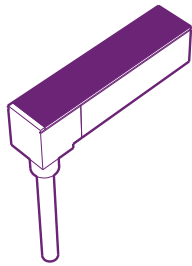
PREMIUM CUT SIDE SI SC

Side Light, Silicone, Single color

Lead Orientation

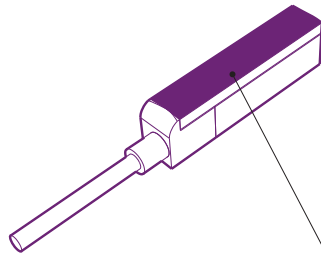
Back Lead

Part# NVS SL BC



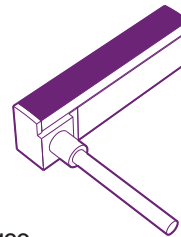
End Lead

Part# NVS SL EC



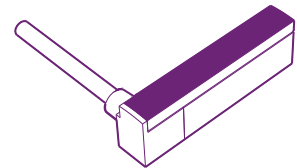
Right Side Lead

Part# NVS SL RC

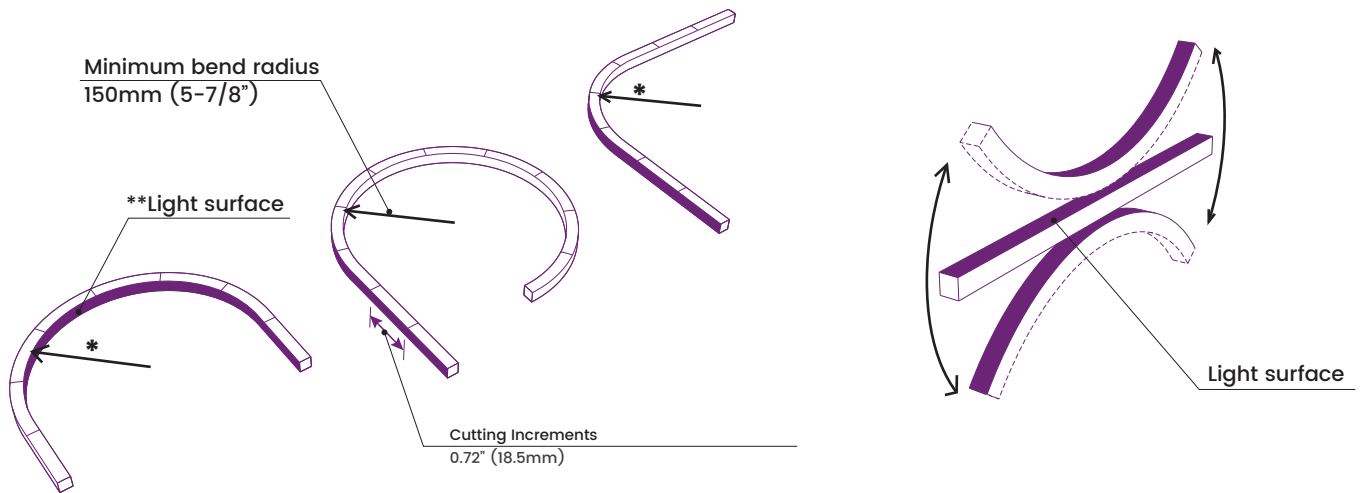


Left Side Lead

Part# NVS SL LC



Minimum Bend Radius and Bend Orientations



**Light surface could be inside or outside.

BL neonVIEW SIDE Series bends vertically

*Horizontal bend option also available on HB version

PROJECT <input type="text"/>	CLIENT <input type="text"/>	TYPE <input type="text"/>
------------------------------	-----------------------------	---------------------------

Solid State Lighting is sensitive to power fluctuations
Surge protection is highly recommended for all LED lighting products and should be on a designated circuit to protect against premature failure
Lack of surge protection may void your warranty

For more information, please download the
BL LIGHTING catalogue

BL LIGHTING. ILLUMINATE EVERYTHING

111 - 8838 Heather St. Vancouver, BC, Canada. V6P 3S8
P: 1-604-874-4405 E: info@blighting.com
Copyright © BL INNOVATIVE LIGHTING. All Rights Reserved.

blighting.com



BL neonVIEW

Diffused, Flexible, Linear LED Lighting,
Side Emitting, 24VDC, Constant Voltage

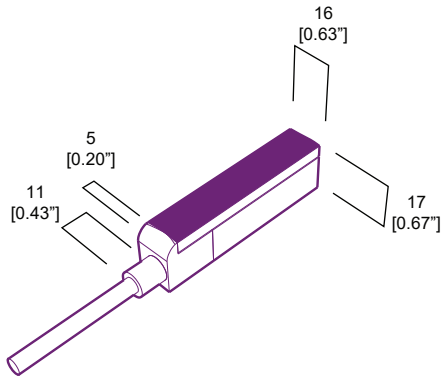
PREMIUM CUT SIDE SI SC

Side Light, Silicone, Single color

Dimensions

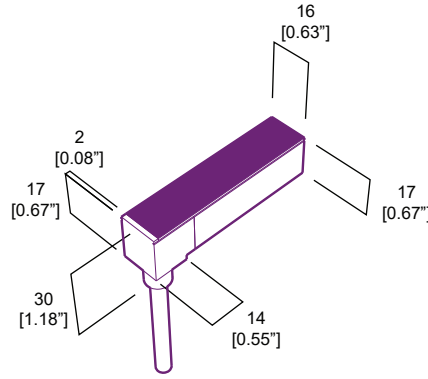
End Lead

Part# NVS SL EC

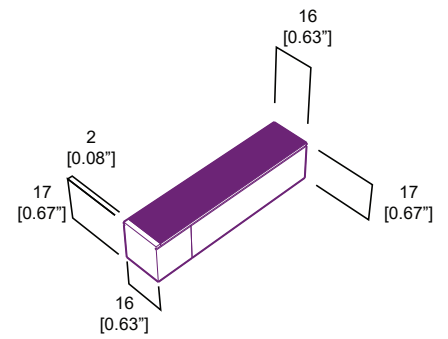


Back Lead

Part# NVS SL BC

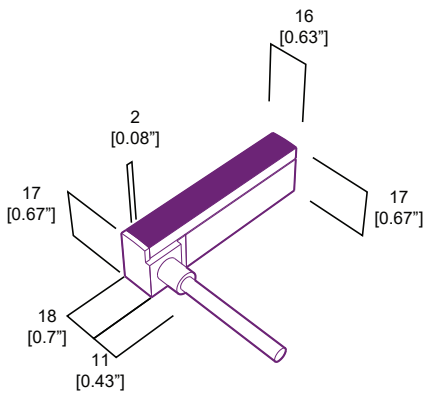


End Cap



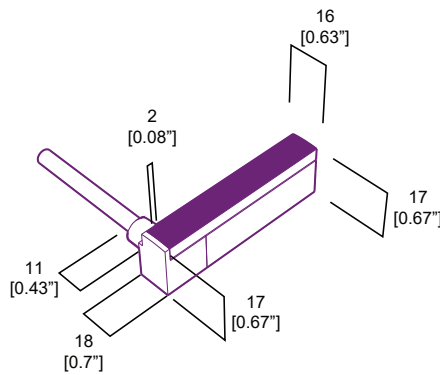
Right Side Lead

Part# NVS SL RC



Left Side Lead

Part# NVS SL LC



The tolerance of the Lead is $\pm 0.5\text{mm}$
For more detail, please download the CAD Drawing

PROJECT

CLIENT

TYPE

Solid State Lighting is sensitive to power fluctuations
Surge protection is highly recommended for all LED lighting products and should be on a designated circuit to protect against premature failure
Lack of surge protection may void your warranty

For more information, please download the
BL LIGHTING catalogue

BL LIGHTING. ILLUMINATE EVERYTHING

111 - 8838 Heather St. Vancouver, BC, Canada. V6P 3S8
P: 1-604-874-4405 E: info@blighting.com
Copyright © BL INNOVATIVE LIGHTING. All Rights Reserved.

blighting.com



BL neonVIEW

Diffused, Flexible, Linear LED Lighting,
Side Emitting, 24VDC, Constant Voltage

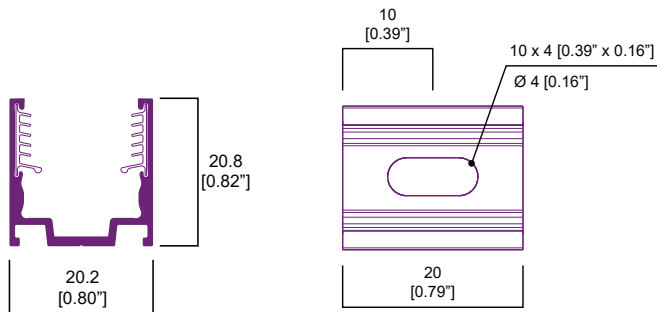
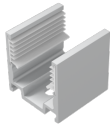
PREMIUM CUT SIDE SI SC

Side Light, Silicone, Single color

Accessories (Surface Mounting Clip and Channel)

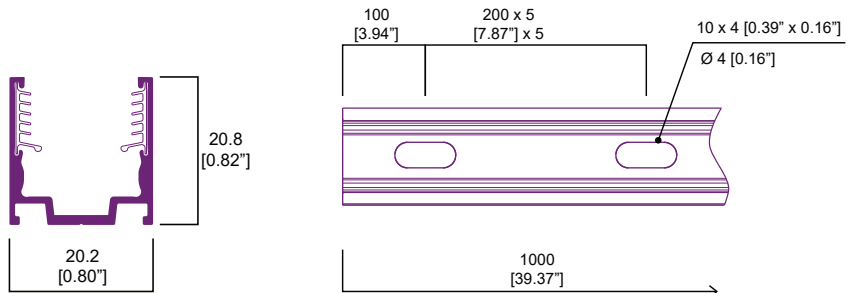
Surface Mounting Clip

Part# NVSL CPS



Surface Mounting Channel

Part# NVSL CHS



For more detail, please download the CAD Drawing

PROJECT CLIENT TYPE

Solid State Lighting is sensitive to power fluctuations
Surge protection is highly recommended for all LED lighting products and should be on a designated circuit to protect against premature failure
Lack of surge protection may void your warranty

For more information, please download the
BL LIGHTING catalogue

BL LIGHTING. ILLUMINATE EVERYTHING

111 - 8838 Heather St. Vancouver, BC, Canada. V6P 3S8
P: 1-604-874-4405 E: info@blighting.com
Copyright © BL INNOVATIVE LIGHTING. All Rights Reserved.

blighting.com



BL neonVIEW

Diffused, Flexible, Linear LED Lighting,
Side Emitting, 24VDC, Constant Voltage

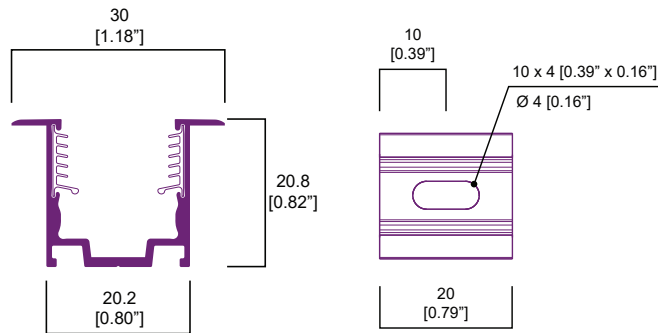
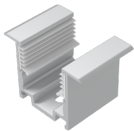
PREMIUM CUT SIDE SI SC

Side Light, Silicone, Single color

Accessories (Recessed Mounting Clip and Channel)

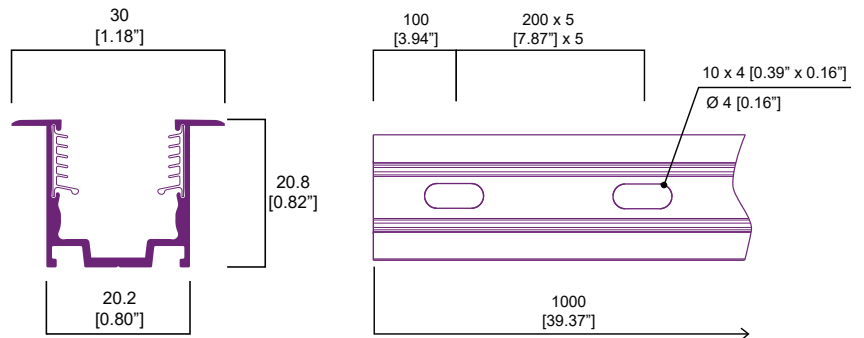
Recessed Mounting Clip

Part# NVSL RCPS



Recessed Mounting Channel

Part# NVSL RCHS



For more detail, please download the CAD Drawing

PROJECT CLIENT TYPE

Solid State Lighting is sensitive to power fluctuations
Surge protection is highly recommended for all LED lighting products and should be on a designated circuit to protect against premature failure
Lack of surge protection may void your warranty

For more information, please download the
BL LIGHTING catalogue

BL LIGHTING. ILLUMINATE EVERYTHING

111 - 8838 Heather St. Vancouver, BC, Canada. V6P 3S8
P: 1-604-874-4405 E: info@blighting.com
Copyright © BL INNOVATIVE LIGHTING. All Rights Reserved.

blighting.com

