

**BL neonVIEW**

Diffused, Flexible, Linear LED Lighting,  
Side Emitting, 24VDC, Constant Voltage

**PIXEL SIDE SI**

Side Light, Silicone, Chase

Printed



**Certification**



**Lighting**



|                |                        |
|----------------|------------------------|
| Lamp           | LED, SMD 5050          |
| LED's Per Foot | 25 LEDs/ft (84 LEDs/m) |
| Power          | * 5.00-6.70 W/FT       |
| Beam Angle     | 120°                   |
| Average Life   | 50,000 Hours           |
| Lumens         | * 171-213 lm/FT        |
| Efficacy       | * 29-34 lm/W           |

**Electrical**

|                       |                                |
|-----------------------|--------------------------------|
| Control               | IC (Chase)                     |
| Input Voltage         | 24VDC                          |
| Max Input Current     | 4.12A (White)                  |
| Connections           | 18AWG, Copper Conductors       |
| Operating Temperature | -40°F to 131°F (-40°C to 55°C) |
| Circuit               | Class 2                        |

**Mechanical**

|                      |                                  |
|----------------------|----------------------------------|
| Housing Construction | Injection Moulded White Silicone |
| Cutting Increments   | 3-9/32" (83.3mm)                 |
| Environmental        | IP68 (Seamless Injection)        |
| Mounting             | Clip, Track                      |

\* Please refer to the performance table on the following page

PROJECT

CLIENT

TYPE

Solid State Lighting is sensitive to power fluctuations  
Surge protection is highly recommended for all LED lighting products and should be on a designated circuit to protect against premature failure  
Lack of surge protection may void your warranty

For more information, please download the  
**BL LIGHTING** catalogue

**BL LIGHTING. ILLUMINATE EVERYTHING**

111 - 8838 Heather St. Vancouver, BC, Canada. V6P 3S8  
P: 1-604-874-4405 E: info@blighting.com  
Copyright © BL INNOVATIVE LIGHTING. All Rights Reserved.

**blighting.com**



**BL neonVIEW**

Diffused, Flexible, Linear LED Lighting,  
Side Emitting, 24VDC, Constant Voltage

**PIXEL SIDE SI**

Side Light, Silicone, Chase

Printed

**Performance**

| CCT/Color  | Load      | Lumens    | Efficacy | Max. Length | Cutting Increments |
|------------|-----------|-----------|----------|-------------|--------------------|
| RGB        | 5.00 W/FT | 171 lm/FT | 34 lm/W  | 17 ft 6 in  | 3-9/32 in (83.3mm) |
| RGBW 2700K | 6.70 W/FT | 196 lm/FT | 29 lm/W  | 13 ft 2 in  | 3-9/32 in (83.3mm) |
| RGBW 3000K | 6.70 W/FT | 198 lm/FT | 29 lm/W  | 13 ft 2 in  | 3-9/32 in (83.3mm) |
| RGBW 4000K | 6.70 W/FT | 213 lm/FT | 32 lm/W  | 13 ft 2 in  | 3-9/32 in (83.3mm) |

**Ordering**

Product Name

Color

Lead Orientation

Mounting Accessories

BL neonVIEW IC SL SI

RGB  
RGBW (2700K)  
RGBW (3000K)  
RGBW (4000K)

NV IC SL BC 68 = Back Lead  
NV IC SL EC 68 = End Lead  
NV IC SL RC 68 = Right Side Lead  
NV IC SL LC 68 = Left Side Lead

NVSL CPS = Mounting Clip  
NVSL CHS = Mounting Channel  
NVSL RCPS = Recessed Mounting Clip  
NVSL RCHS = Recessed Mounting Channel

PROJECT

CLIENT

TYPE

Solid State Lighting is sensitive to power fluctuations  
Surge protection is highly recommended for all LED lighting products and should be on a designated circuit to protect against premature failure  
Lack of surge protection may void your warranty

For more information, please download the  
**BL LIGHTING** catalogue

**BL LIGHTING. ILLUMINATE EVERYTHING**

111 - 8838 Heather St. Vancouver, BC, Canada. V6P 3S8  
P: 1-604-874-4405 E: info@blighting.com  
Copyright © BL INNOVATIVE LIGHTING. All Rights Reserved.

**blighting.com**



**BL neonVIEW**

Diffused, Flexible, Linear LED Lighting,  
Side Emitting, 24VDC, Constant Voltage

**PIXEL SIDE SI**

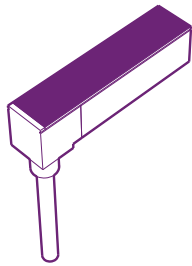
Side Light, Silicone, Chase

Printed

**Lead Orientation**

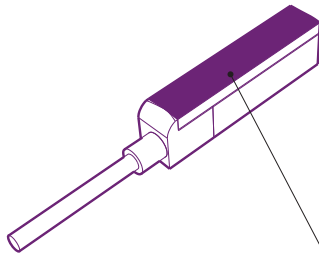
**Back Lead**

Part# NVS IC SL BC 68



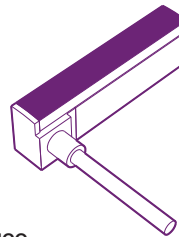
**End Lead**

Part# NVS IC SL EC 68



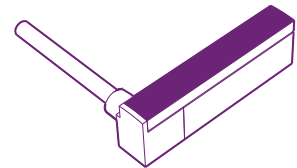
**Right Side Lead**

Part# NVS IC SL RC 68



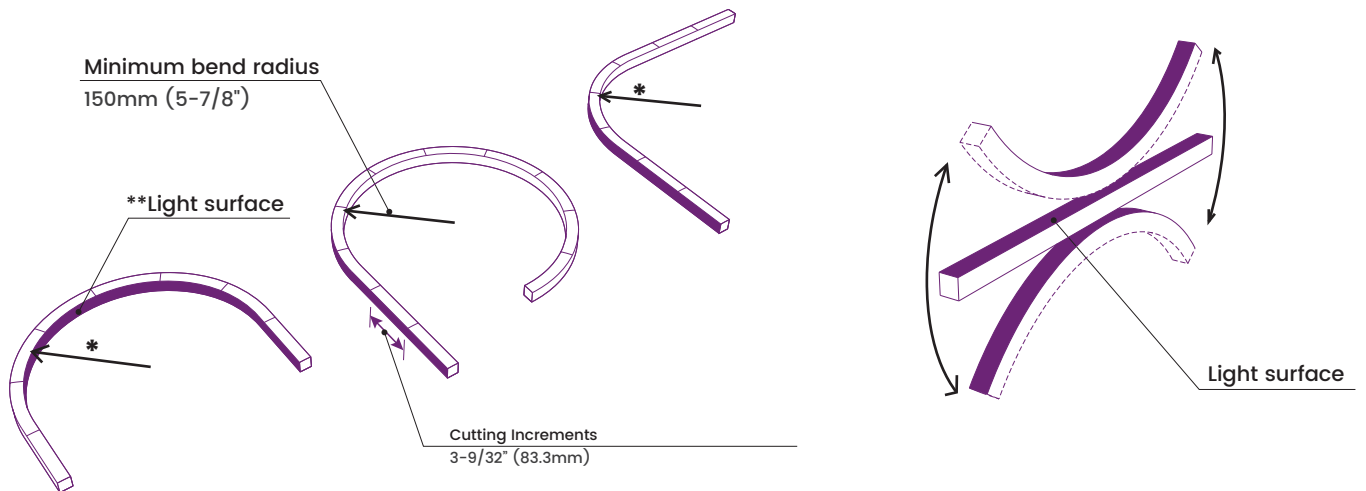
**Left Side Lead**

Part# NVS IC SL LC 68



Light surface

**Minimum Bend Radius and Bend Orientations**



\*\*Light surface could be inside or outside.

**BL neonVIEW SIDE Series bends vertically**

\*Horizontally bend option available on  
BL neonVIEW DOME and FLAT Series

PROJECT

CLIENT

TYPE

Solid State Lighting is sensitive to power fluctuations  
Surge protection is highly recommended for all LED lighting products and should be on a designated circuit to protect against premature failure  
Lack of surge protection may void your warranty

For more information, please download the  
**BL LIGHTING** catalogue

**BL LIGHTING. ILLUMINATE EVERYTHING**

111 - 8838 Heather St. Vancouver, BC, Canada. V6P 3S8  
P: 1-604-874-4405 E: info@blighting.com  
Copyright © BL INNOVATIVE LIGHTING. All Rights Reserved.

**blighting.com**



**BL neonVIEW**

Diffused, Flexible, Linear LED Lighting,  
Side Emitting, 24VDC, Constant Voltage

**PIXEL SIDE SI**

Side Light, Silicone, Chase

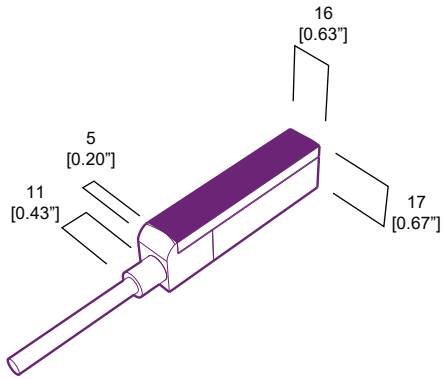
Printed



**Dimensions**

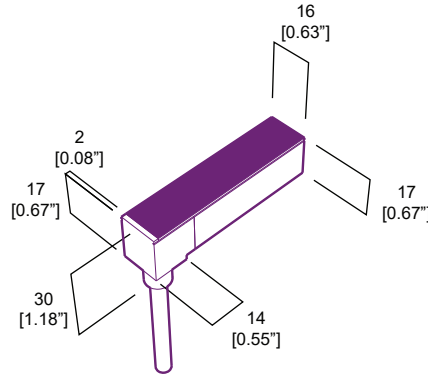
**End Lead**

Part# NVS IC SL EC 68

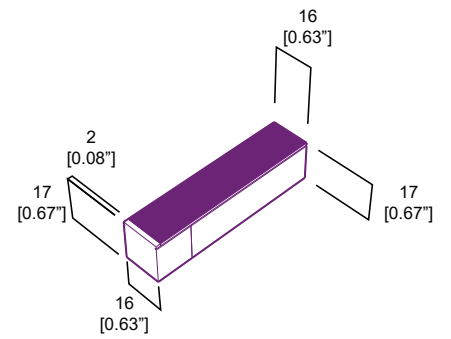


**Back Lead**

Part# NVS IC SL BC 68

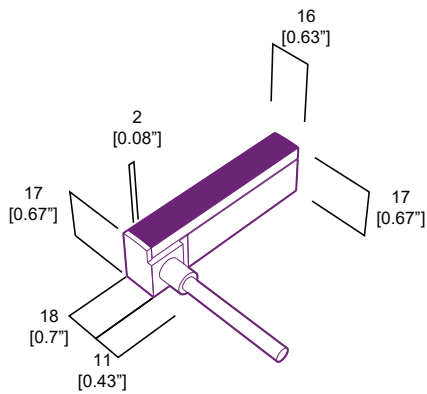


**End Cap**



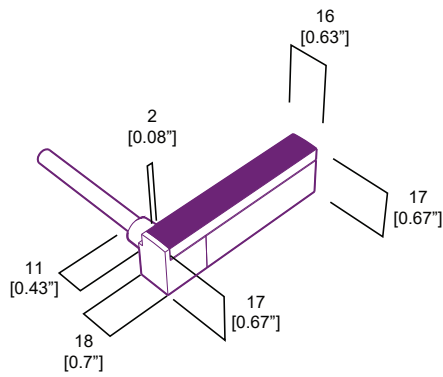
**Right Side Lead**

Part# NVS IC SL RC 68



**Left Side Lead**

Part# NVS IC SL LC 68



The tolerance of the Lead is  $\pm 0.5\text{mm}$   
For more detail, please download the CAD Drawing

PROJECT

CLIENT

TYPE

Solid State Lighting is sensitive to power fluctuations  
Surge protection is highly recommended for all LED lighting products and should be on a designated circuit to protect against premature failure  
Lack of surge protection may void your warranty

For more information, please download the  
**BL LIGHTING** catalogue

**BL LIGHTING. ILLUMINATE EVERYTHING**

111 - 8838 Heather St. Vancouver, BC, Canada. V6P 3S8  
P: 1-604-874-4405 E: info@blighting.com  
Copyright © BL INNOVATIVE LIGHTING. All Rights Reserved.

**blighting.com**

