

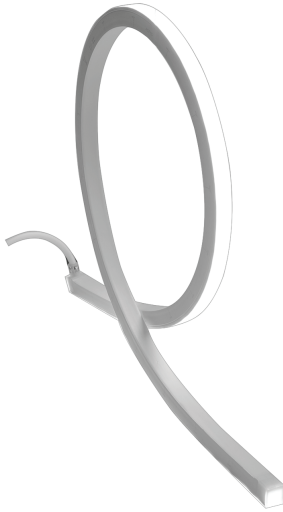
**BL neonVIEW**

Diffused, Flexible, Linear LED Lighting,  
Side Emitting, 24VDC, Constant Voltage

**PIXEL SIDE SI ID HB**

Side Light, Silicone, Chase  
Integrated DMX decoder, Horizontal Bend

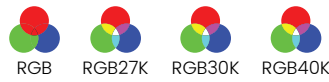
Printed



**Certification**



**Lighting**



Lamp	LED, SMD 5050
LED's Per Foot	25 LEDs/ft (84 LEDs/m)
Power	* 2.75-3.66 W/FT
Beam Angle	120°
Average Life	50,000 Hours
Lumens	* 73-113 lm/FT
Efficacy	* 27-31 lm/W

**Electrical**

Control	DMX Integrated Chip (Chase)
Input Voltage	24VDC
Max Input Current	4.12A (White)
Connections	20AWG, Copper Conductors
Operating Temperature	-40°F to 131°F (-40°C to 55°C)
Circuit	Class 2

**Mechanical**

Housing Construction	Injection Moulded White Silicone
Environmental	IP68 (Seamless Injection)
Mounting	Clip, Track

\* Please refer to the performance table on the following page

PROJECT

CLIENT

TYPE

Solid State Lighting is sensitive to power fluctuations  
Surge protection is highly recommended for all LED lighting products and should be on a designated circuit to protect against premature failure  
Lack of surge protection may void your warranty

For more information, please download the  
**BL LIGHTING** catalogue

**BL LIGHTING. ILLUMINATE EVERYTHING**

111 - 8838 Heather St. Vancouver, BC, Canada. V6P 3S8  
P: 1-604-874-4405 E: info@blighting.com  
Copyright © BL INNOVATIVE LIGHTING. All Rights Reserved.

**blighting.com**



**BL neonVIEW**

Diffused, Flexible, Linear LED Lighting,  
Side Emitting, 24VDC, Constant Voltage

**PIXEL SIDE SI ID HB**

Side Light, Silicone, Chase  
Integrated DMX decoder, Horizontal Bend

Printed

**Performance**

CCT/Color	Load	Lumens	Efficacy	Max. Length	Cutting Increments
RGB	2.75 W/FT	73 lm/FT	27 lm/W	24 ft 11 in	6.56 in (166.7mm)
RGBW 2700K	3.66 W/FT	113 lm/FT	31 lm/W	24 ft 11 in	6.56 in (166.7mm)
RGBW 3000K	3.66 W/FT	113 lm/FT	31 lm/W	24 ft 11 in	6.56 in (166.7mm)
RGBW 4000K	3.66 W/FT	113 lm/FT	31 lm/W	24 ft 11 in	6.56 in (166.7mm)

**Ordering**

Product Name

Color

Lead Orientation

Mounting Accessories

BL neonVIEW IC SL SI ID HB




RGB  
RGBW (2700K)  
RGBW (3000K)  
RGBW (4000K)

NVS IC SL BC 68 = Back Lead  
NVS IC SL EC 68 = End Lead  
NVS IC SL RC 68 = Right Side Lead  
NVS IC SL LC 68 = Left Side Lead

NVSL CPS = Mounting Clip  
NVSL CHS = Mounting Channel  
NVSL RCPS = Recessed Mounting Clip  
NVSL RCHS = Recessed Mounting Channel

PROJECT

CLIENT

TYPE

Solid State Lighting is sensitive to power fluctuations  
Surge protection is highly recommended for all LED lighting products and should be on a designated circuit to protect against premature failure  
Lack of surge protection may void your warranty

For more information, please download the  
**BL LIGHTING** catalogue

**BL LIGHTING. ILLUMINATE EVERYTHING**

111 - 8838 Heather St. Vancouver, BC, Canada. V6P 3S8  
P: 1-604-874-4405 E: info@blighting.com  
Copyright © BL INNOVATIVE LIGHTING. All Rights Reserved.

**blighting.com**



**BL neonVIEW**

Diffused, Flexible, Linear LED Lighting,  
Side Emitting, 24VDC, Constant Voltage

**PIXEL SIDE SI ID HB**

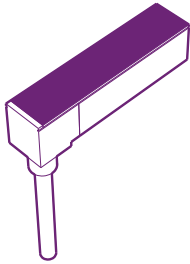
Side Light, Silicone, Chase  
Integrated DMX decoder, Horizontal Bend

Printed

**Lead Orientation**

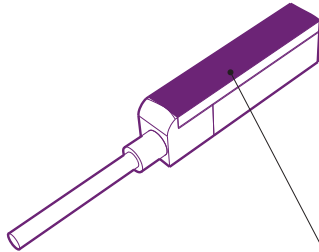
**Back Lead**

Part# NVS IC SL BC 68



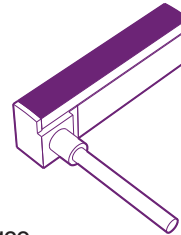
**End Lead**

Part# NVS IC SL EC 68



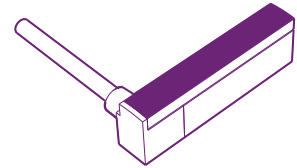
**Right Side Lead**

Part# NVS IC SL RC 68



**Left Side Lead**

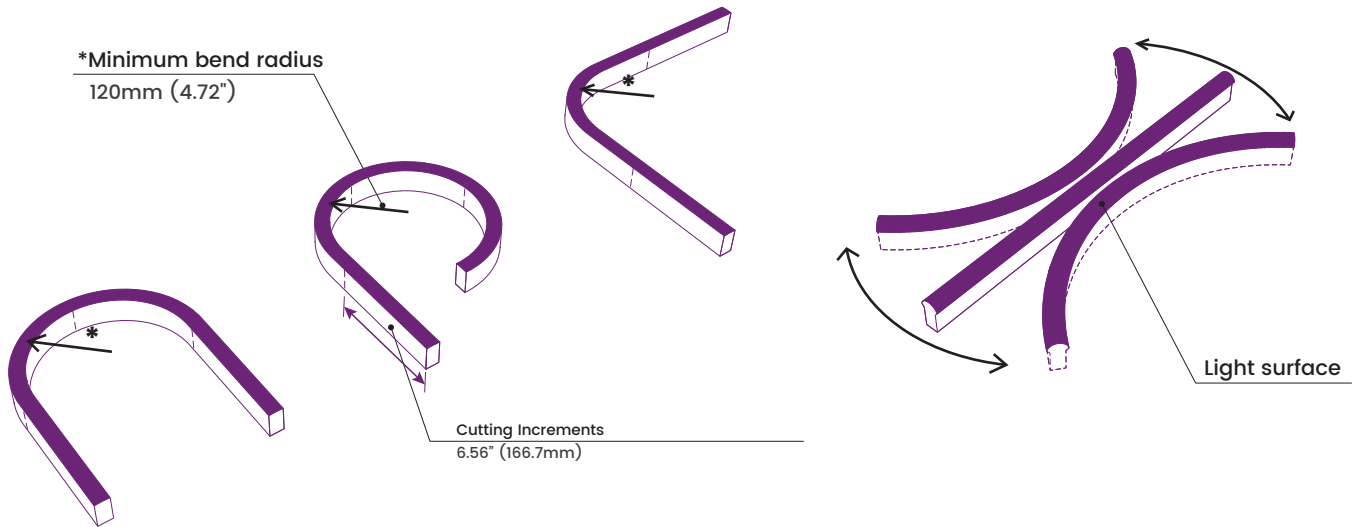
Part# NVS IC SL LC 68



Light surface

**Minimum Bend Radius and Bend Orientations**

\*Minimum bend radius  
120mm (4.72")



**BL neonVIEW SIDE Series bends horizontally**  
\*Vertical bend option also available

PROJECT  CLIENT  TYPE

Solid State Lighting is sensitive to power fluctuations  
Surge protection is highly recommended for all LED lighting products and should be on a designated circuit to protect against premature failure  
Lack of surge protection may void your warranty

For more information, please download the  
**BL LIGHTING** catalogue

**BL LIGHTING. ILLUMINATE EVERYTHING**

111 - 8838 Heather St. Vancouver, BC, Canada. V6P 3S8  
P: 1-604-874-4405 E: info@blighting.com  
Copyright © BL INNOVATIVE LIGHTING. All Rights Reserved.

[blighting.com](http://blighting.com)



**BL neonVIEW**

Diffused, Flexible, Linear LED Lighting,  
Side Emitting, 24VDC, Constant Voltage

**PIXEL SIDE SI ID HB**

Side Light, Silicone, Chase  
Integrated DMX decoder, Horizontal Bend

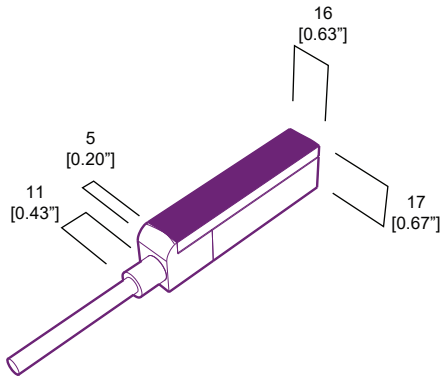
Printed



**Dimensions**

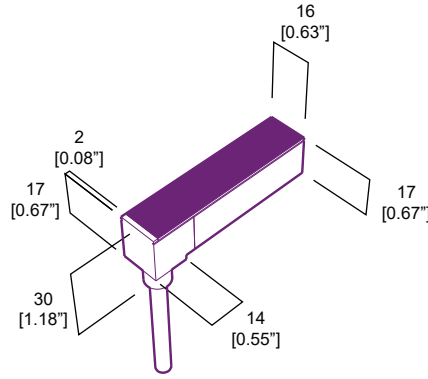
**End Lead**

Part# NVS IC SL EC 68

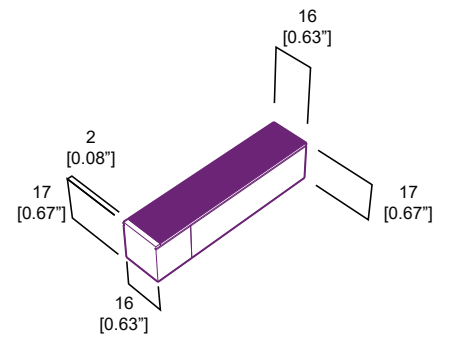


**Back Lead**

Part# NVS IC SL BC 68

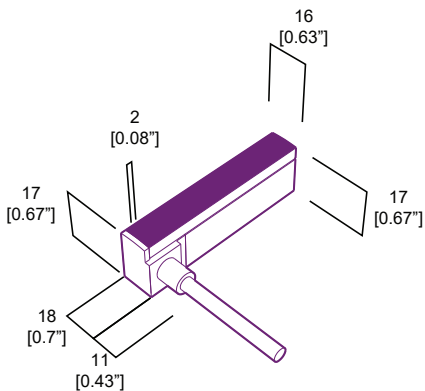


**End Cap**



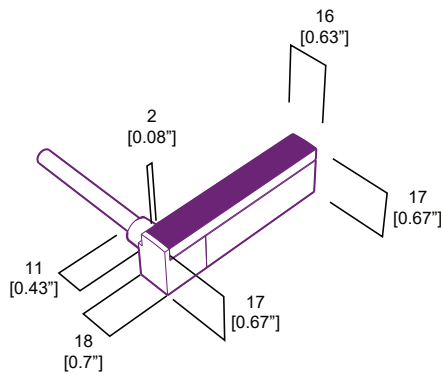
**Right Side Lead**

Part# NVS IC SL RC 68



**Left Side Lead**

Part# NVS IC SL LC 68



The tolerance of the Lead is  $\pm 0.5\text{mm}$   
For more detail, please download the CAD Drawing

PROJECT

CLIENT

TYPE

Solid State Lighting is sensitive to power fluctuations  
Surge protection is highly recommended for all LED lighting products and should be on a designated circuit to protect against premature failure  
Lack of surge protection may void your warranty

For more information, please download the  
**BL LIGHTING** catalogue

**BL LIGHTING. ILLUMINATE EVERYTHING**

111 - 8838 Heather St. Vancouver, BC, Canada. V6P 3S8  
P: 1-604-874-4405 E: info@blighting.com  
Copyright © BL INNOVATIVE LIGHTING. All Rights Reserved.

**blighting.com**

