

# BL neonVIEW PIXEL FLAT SI ID

Diffused, Flexible, Linear LED Lighting,  
24VDC, Constant Voltage  
Flat Profile, Silicone, Color Chasing



BL neonVIEW PIXEL FLAT SI ID is engineered with an internal DMX decoder, built-in to the LED luminaire, offering an innovative new solution to meet requirements for pixel chasing lighting projects with unique space and budget constraints. Intelligent and addressable, this digital pixel ic type LED linear luminaire integrates expressive motion, animation and chasing effects to create custom tailored and mesmerizing illuminated and interactive displays.

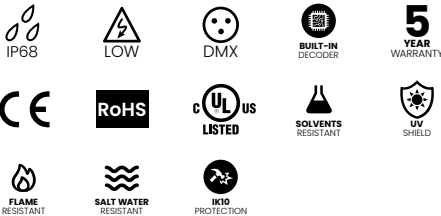
CLIENT	
PROJECT NAME	
LOCATION	
DATE	

Dot-free Seamless connections -40°F to 131°F (-40°C to 55°C) Color Chasing

## Product Detail



Lighting	Lamp	LED, SMD 5050
	LED's Per Foot	18 LEDs/ft (60 LEDs/m)
	Beam Angle	120°
	Average Life	50,000 Hours
Electrical	Controls	DMX
	Input Voltage	24VDC
	Max Input Current	4.12A
	Connections	20AWG, Copper Conductors
	Power Cable Length	Standard 10ft (3m). Also available in 16ft (5m) and 32ft (10m)
Mechanical	Circuit	Class 2
	Housing Construction	Injection Moulded White Silicone
	Minimum Bend Radius	2.25" (60mm)
	Operating Temperature	-40°F to 131°F (-40°C to 55°C)
Environmental	Ingress Protection	IP68
	Impact Protection	IK10
	Vibration Rating	-
	Resistance	UV, Flame, Solvents and Saltwater Resistant
	Certifications	cULus, CE, RoHS Compliant



## Performance

CCT/Color		RGB	RGBW (2700K)	RGBW (3000K)	RGBW (4000K)
Power	W/FT (W/m)	3.66 (12)	4.57 (15)		
Lumens	lm/FT (lm/m)	37 (120)	61 (200)	61 (200)	61 (200)
Efficacy	lm/W	10	13	13	13
CRI	CRI	-	80 (white LED only)		
Increment	inch (mm)	6.57 (167)			
Max. Length	ft (m)	24ft 6in (7.5m)	19ft 6in (5.95m)		

## Ordering

Product Code	Color	Lead Orientation	Mounting Accessories*
BL neonVIEW IC FT SI ID			
	RGB	NVS IC FT BC 68 = Back Lead	NV CPS = Mounting Clip
	RGBW (2700K)	NVS IC FT EC 68 = End Lead	NV CHS = Mounting Channel
	RGBW (3000K)	NVS IC FT RC 68 = Right Side Lead	NV RCPS = Recessed Mounting Clip
	RGBW (4000K)	NVS IC FT LC 68 = Left Side Lead	NV RCHS = Recessed Mounting Channel
			NV FCHS AL = Flexible Mounting Channel

\* Stainless steel and composite mounting options are also available.

### BL LIGHTING ILLUMINATE EVERYTHING

111 - 8838 Heather St. Vancouver, BC, Canada. V6P 3S8  
P: 1-804-874-4405 E: info@bllighting.com  
Copyright © BL INNOVATIVE LIGHTING. All Rights Reserved.

Solid State Lighting is sensitive to power fluctuations. Surge protection is highly recommended for all LED lighting products and should be on a dedicated circuit to protect against premature failure. Lack of surge protection may void your warranty.

Designed & Assembled in North America.

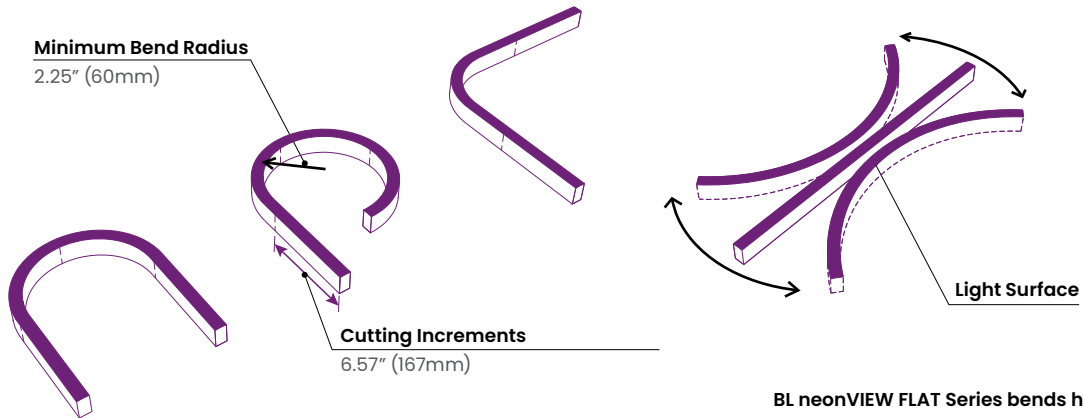
Specifications subject to change without notice. Please refer to our website at bllighting.com for current technical data.

For more information, please download the BL LIGHTING catalog

bllighting.com



## Minimum Bend Radius and Bend Orientation



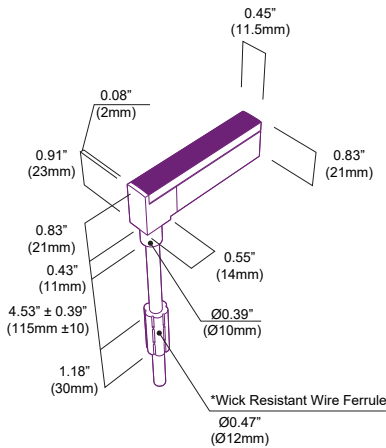
**BL neonVIEW FLAT Series bends horizontally**

Vertical bend option available on BL neonVIEW SIDE Series

## Dimensions & Lead Orientations

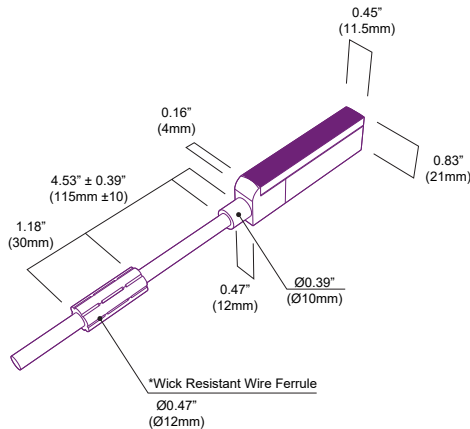
### Back Lead

NVS IC FT BC 68

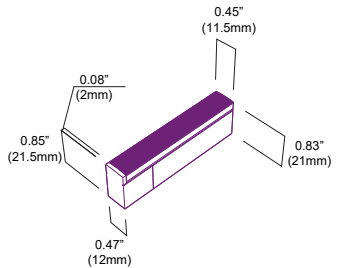


### End Lead

NVS IC FT EC 68

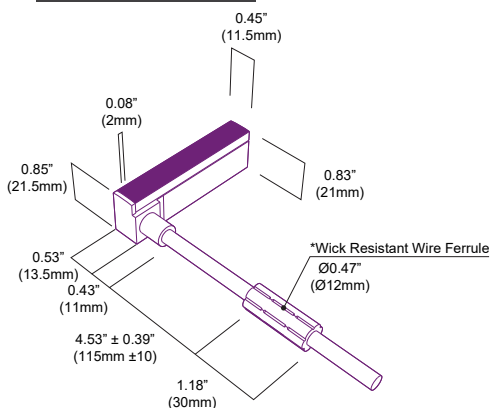


### End Cap



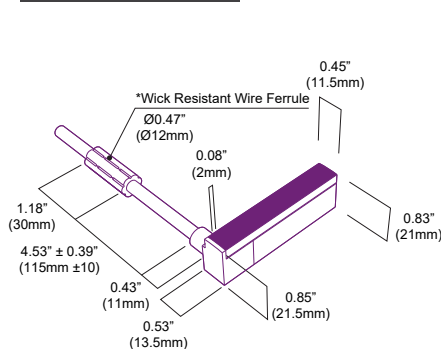
### Right Side Lead

NVS IC FT RC 68



### Left Side Lead

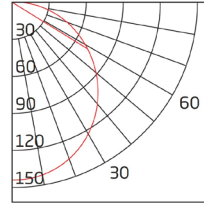
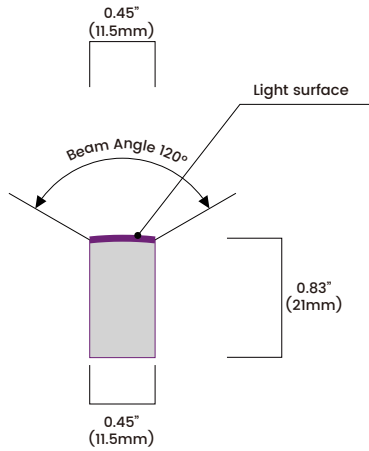
NVS IC FT LC 68



\*The Wick Resistant Wire Ferrule is built into the lead wire, 4.5" (115mm) from the BL neonVIEW Termination Connection, for additional moisture ingress protection. Removal of the Wick Resistant Wire Ferrule may void your warranty.



## Beam Angle



Unit: cd  
— C90/270

Average Beam Angle (50%): 114.4°

