

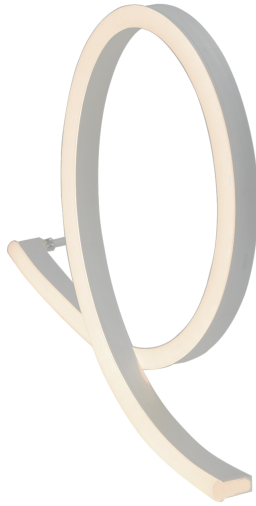
BL neonVIEW

Diffused, Flexible, Linear LED Lighting, 24VDC, Constant Voltage

PIXEL DOME SI

Dome Profile, Silicone, Chase

Printed



Certification



Lighting



Lamp	LED, SMD 5050
Power	* 3.66-4.57 W/FT
Beam Angle	160°
Average Life	50,000 Hours
Lumens	* 89-136lm/FT
Efficacy	* 24-30 lm/W

Electrical

Control	IC (CHASE)
Input Voltage	24VDC
Max Input Current	4.12A
Connections	18AWG, Copper Conductors
Operating Temperature	-40°F to 131°F (-40°C to 55°C)
Circuit	Class 2

Mechanical

Housing Construction	Injection Moulded White Silicone
Cutting Increments	4-15/16" (125mm)
# of LEDs	18/FT (60/m)
Medial Bend Radius	2-1/4" (60mm)
Environmental	IP68 (Seamless Injection Molded)
Mounting	Clip, Track

* Please refer to the performance table on the following page

PROJECT

CLIENT

TYPE

Solid State Lighting is sensitive to power fluctuations
Surge protection is highly recommended for all LED lighting products and should be on a designated circuit to protect against premature failure
Lack of surge protection may void your warranty

For more information, please download the
BL LIGHTING catalog

BL LIGHTING. ILLUMINATE EVERYTHING

111 - 8838 Heather St. Vancouver, BC, Canada. V6P 3S8
P: 1-604-874-4405 E: info@blighting.com
Copyright © BL INNOVATIVE LIGHTING. All Rights Reserved.

blighting.com



BL neonVIEW

Diffused, Flexible, Linear LED Lighting, 24VDC, Constant Voltage

PIXEL DOME SI

Dome Profile, Silicone, Chase

Printed

Performance

Color	Power	Lumens	Efficacy	Max. Length	Cutting Increments
RGB	3.66 W/FT	89 lm/FT	24 lm/W	24 ft 11 in	4-15/16 in (125mm)
RGB27K	4.57 W/FT	131 lm/FT	29 lm/W	20 ft 0 in	4-15/16 in (125mm)
RGB30K	4.57 W/FT	134 lm/FT	29 lm/W	20 ft 0 in	4-15/16 in (125mm)
RGB40K	4.57 W/FT	136 lm/FT	30 lm/W	20 ft 0 in	4-15/16 in (125mm)

Ordering

Product Name

Color

Lead Orientation

Mounting Accessories

BL neonVIEW IC DM SI

RGB
RGBW 2700K
RGBW 3000K
RGBW 4000K

NVS IC DM BC 68 = Back
NVS IC DM EC 68 = End
NVS IC DM RC 68 = Right Side
NVS IC DM LC 68 = Left Side

NV CPS = Mounting Clip
NV CHS = Mounting Channel
NV RCPS = Recessed Mounting Clip
NV RCHS = Recessed Mounting Channel
NV FCHS AL = Flexible Mounting Channel

PROJECT

CLIENT

TYPE

Solid State Lighting is sensitive to power fluctuations
Surge protection is highly recommended for all LED lighting products and should be on a designated circuit to protect against premature failure
Lack of surge protection may void your warranty

For more information, please download the
BL LIGHTING catalog

BL LIGHTING. ILLUMINATE EVERYTHING

111 - 8838 Heather St. Vancouver, BC, Canada. V6P 3S8
P: 1-604-874-4405 E: info@blighting.com
Copyright © BL INNOVATIVE LIGHTING. All Rights Reserved.

blighting.com



BL neonVIEW

Diffused, Flexible, Linear LED Lighting, 24VDC, Constant Voltage

PIXEL DOME SI

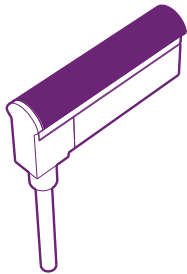
Dome Profile, Silicone, Chase

Printed

Lead Orientation

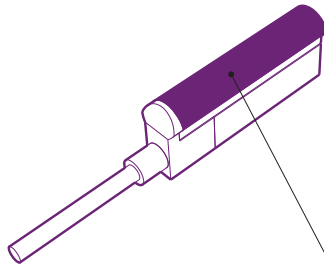
Back Lead

Part# NVS IC DM BC 68



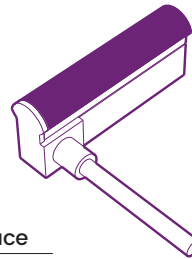
End Lead

Part# NVS IC DM EC 68



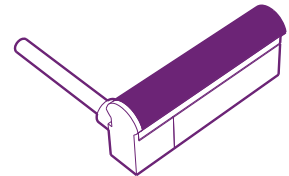
Right Side Lead

Part# NVS IC DM RC 68

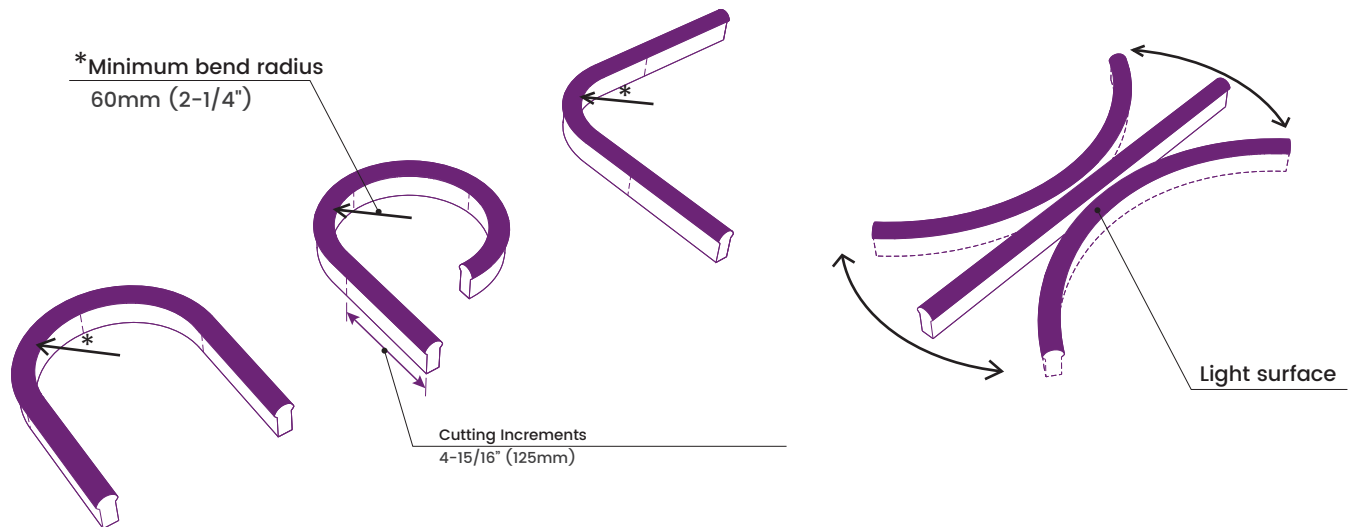


Left Side Lead

Part# NVS IC DM LC 68



Minimum Bend Radius and Bend Orientations



BL neonVIEW DOME Series bends horizontally
Vertical bend option available on
BL neonVIEW SIDE Series

PROJECT

CLIENT

TYPE

Solid State Lighting is sensitive to power fluctuations
Surge protection is highly recommended for all LED lighting products and should be on a designated circuit to protect against premature failure
Lack of surge protection may void your warranty

For more information, please download the
BL LIGHTING catalog

BL LIGHTING. ILLUMINATE EVERYTHING

111 - 8838 Heather St. Vancouver, BC, Canada. V6P 3S8
P: 1-604-874-4405 E: info@blighting.com
Copyright © BL INNOVATIVE LIGHTING. All Rights Reserved.

blighting.com



BL neonVIEW

Diffused, Flexible, Linear LED Lighting, 24VDC, Constant Voltage

PIXEL DOME SI

Dome Profile, Silicone, Chase

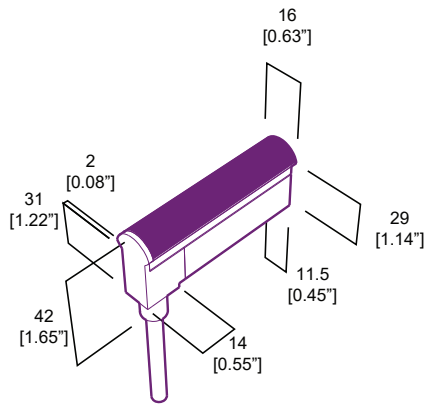
Printed



Dimensions

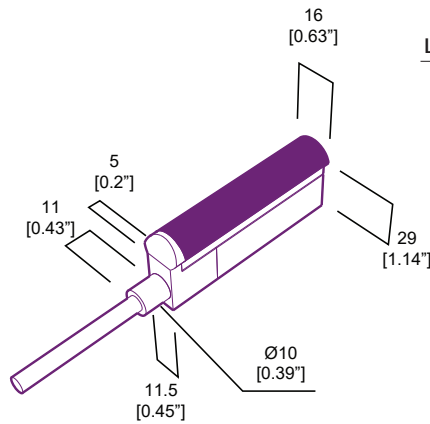
Back Lead

Part# NVS IC DM BC 68

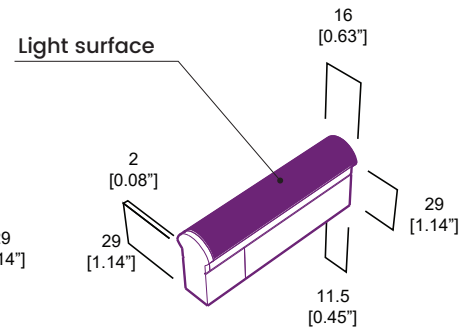


End Lead

Part# NVS IC DM EC 68

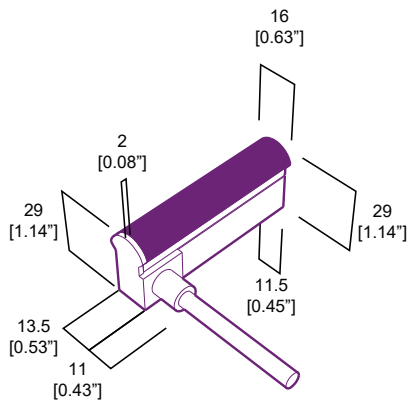


End Cap



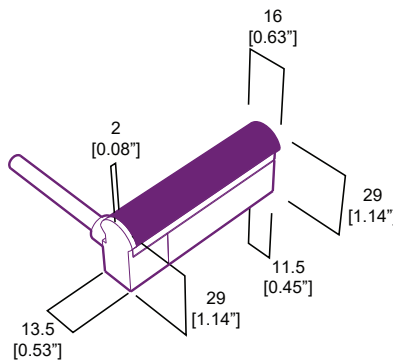
Right Side Lead

Part# NVS IC DM RC 68



Left Side Lead

Part# NVS IC DM LC 68



The tolerance of the Lead is $\pm 0.5\text{mm}$
For more detail, please download the CAD Drawing

PROJECT

CLIENT

TYPE

Solid State Lighting is sensitive to power fluctuations
Surge protection is highly recommended for all LED lighting products and should be on a designated circuit to protect against premature failure
Lack of surge protection may void your warranty

For more information, please download the
BL LIGHTING catalog

BL LIGHTING. ILLUMINATE EVERYTHING

111 - 8838 Heather St. Vancouver, BC, Canada. V6P 3S8
P: 1-604-874-4405 E: info@blighting.com
Copyright © BL INNOVATIVE LIGHTING. All Rights Reserved.

blighting.com

