

BL neonVIEW

Diffused, Flexible, Linear LED Lighting,
24VDC, Constant Voltage

PIXEL DOME SI ID

Dome Profile, Silicone,
Integrated DMX decoder

Printed



Certification



Lighting

CCT	RGB	RGB27K	RGB30K	RGB40K
Lamp	LED, SMD 5050			
LED's Per Foot	18 LEDs/ft (60 LEDs/m)			
Power	3.66-4.57 W/FT (12-15 W/m)			
Beam Angle	160°			
Average Life	50,000 Hours			
Lumens	* 89-136lm/FT (291-445 lm/m)			
Efficacy	* 24-30 lm/W			

Electrical

Controls	DMX Integrated Chip
Input Voltage	24VDC
Max Input Current	4.12A
Connections	20AWG, Copper Conductors
Operating Temperature	-40°F to 131°F (-40°C to 55°C)
Circuit	Class 2

Mechanical

Housing Construction	Injection Moulded White Silicone
Cutting Increments	* 6-9/16" (167mm)
Medial Bend Radius	2-1/4" (60mm)
Environmental	IP68 (Seamless Injection Molded)
Mounting	Clip, Track

Environmental

Ingress Protection	IP68 (Seamless Injection Molded)
Impact Protection	IK08
Vibration Rating	3G
Environmental Certifications	UV, Flame, Solvent and Saltwater Resistant cULus, CE, ANSI C78.377, RoHS Compliant

NOTE

* Please refer to the performance table on the following page
**Multiple Lead Orientation options available



BL neonVIEW

Diffused, Flexible, Linear LED Lighting,
24VDC, Constant Voltage

PIXEL DOME SI ID

Dome Profile, Silicone,
Integrated DMX decoder

Printed

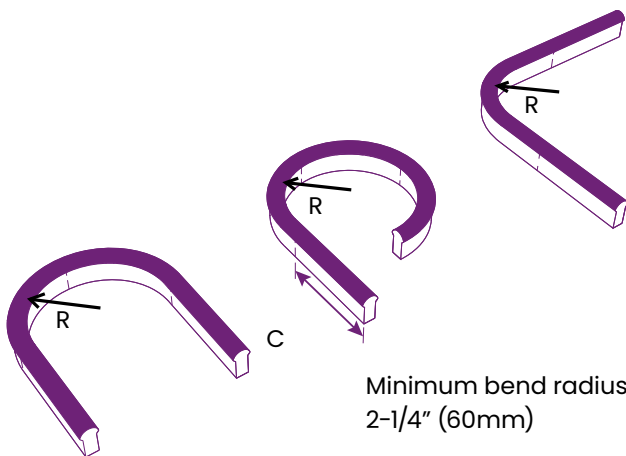
Performance

CCT/Color	Power	Lumens	Efficacy	Cutting Increments	Max. Length
RGB	3.66 W/FT (12 W/m)	89 lm/FT (291 lm/m)	24 lm/W	6-9/16 in (167mm)	24 ft 11 in (7.60m)
RGB27K	4.57 W/FT (15 W/m)	131 lm/FT (428 lm/m)	29 lm/W	6-9/16 in (167mm)	20 ft 0 in (6.10m)
RGB30K	4.57 W/FT (15 W/m)	134 lm/FT (438 lm/m)	29 lm/W	6-9/16 in (167mm)	20 ft 0 in (6.10m)
RGB40K	4.57 W/FT (15 W/m)	136 lm/FT (445 lm/m)	30 lm/W	6-9/16 in (167mm)	20 ft 0 in (6.10m)

Ordering

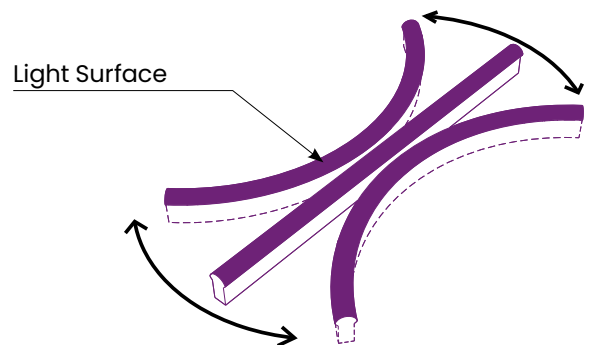
Product Name	CCT/Color	Lead Orientation	Mounting Accessories
BL neonVIEW IC DM SI ID	-	-	-
	RGB	NVS IC DM BC 68 = Back	NV CPS = Mounting Clip
	RGBW(2700K)	NVS IC DM EC 68 = End	NV CHS = Mounting Channel
	RGBW(3000K)	NVS IC DM RC 68 = Right Side	NV RCPS = Recessed Mounting Clip
	RGBW(4000K)	NVS IC DM LC 68 = Left Side	NV RCHS = Recessed Mounting Channel
			NV FCHS AL = Flexible Mounting Channel

Minimum Bend Radius and Bend Orientations



Minimum bend radius
2-1/4" (60mm)

Cutting Increments
6-9/16" (167mm)



BL neonVIEW DOME Series bends horizontally
Vertical bend option available on
BL neonVIEW SIDE Series



BL neonVIEW

Diffused, Flexible, Linear LED Lighting,
24VDC, Constant Voltage

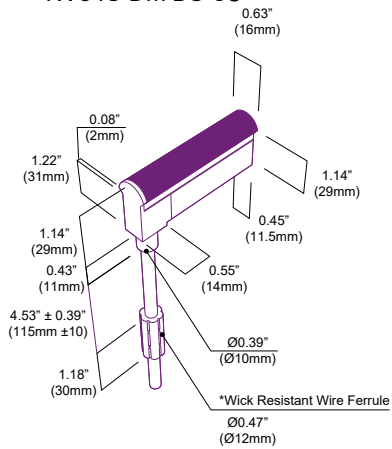
PIXEL DOME SI ID

Dome Profile, Silicone,
Integrated DMX decoder

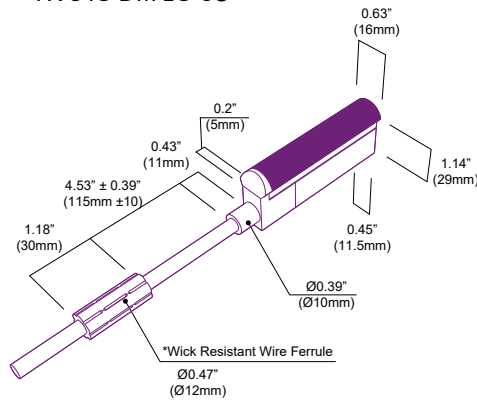
Printed

Dimensions

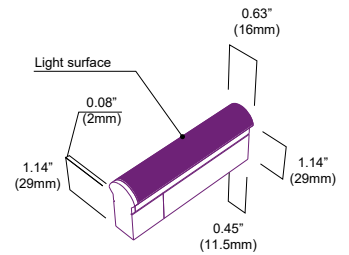
Back Lead
NVS IC DM BC 68



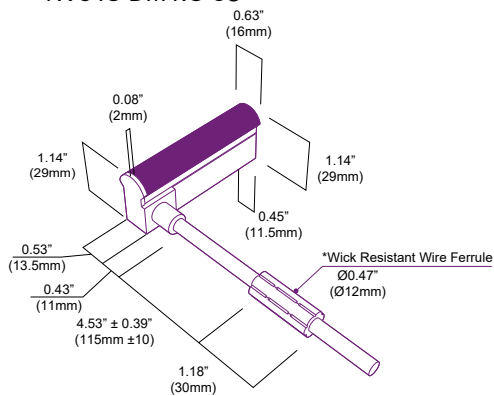
End Lead
NVS IC DM EC 68



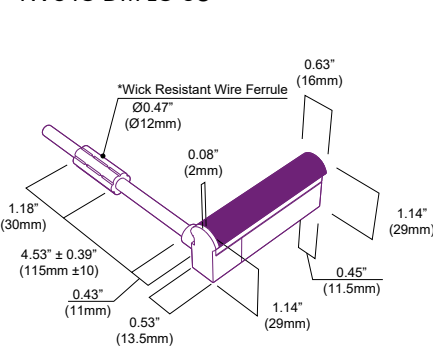
End Cap



Right Side Lead
NVS IC DM RC 68



Left Side Lead
NVS IC DM LC 68



*The Wick Resistant Wire Ferrule is built into the lead wire, 4.5" (115mm) from the BL neonVIEW Termination Connection, for additional moisture ingress protection. Removal of the Wick Resistant Wire Ferrule may void your warranty.

