

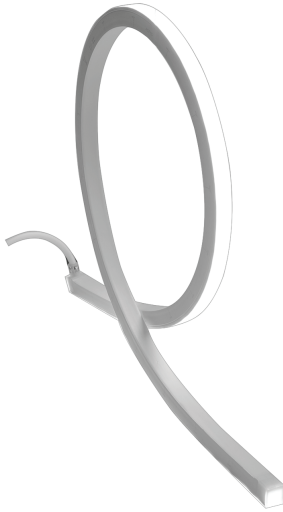
BL neonVIEW

Diffused, Flexible, Linear LED Lighting,
24VDC, Constant Voltage

PIXEL BRIGHT SIDE SI

Side Light, Silicone, Chase
Vertical Bend

Printed



Certification



Lighting



Lamp	LED, SMD 5050
LED's Per Foot	26 LEDs/ft (84 LEDs/m)
Power	* 5.03 W/FT (RGB) - 6.70 W/FT (RGBW)
Beam Angle	120°
Average Life	50,000 Hours
Lumens	* 163-268 lm/FT
Efficacy	* 32-40 lm/W

Electrical

Control	DMX, Bluetooth
Input Voltage	24VDC
Max Input Current	4.12A
Connections	20AWG, Copper Conductors
Operating Temperature	-40°F to 122°F (-40°C to 50°C)
Circuit	Class 2

Mechanical

Housing Construction	Injection Moulded White Silicone
Cutting Increments	3.28" (83.3mm)
Maximum Run Length	* 171" (RGB) - 133" (RGBW)
Medial Bend Radius	15.75" (400mm)
Environmental	IP68 (Seamless Injection)
Mounting	Clip, Track

Accessories

NVS IC BRSL	** Factory installed termination kit
NVS IC BRSL JC	Factory installed jumper cable
NVSLBR CP	Surface Mounting Clip
NVSLBR CH	Surface Mounting Channel
NVSLBR RCP	Recessed Mounting Clip
NVSLBR RCH	Recessed Mounting Channel

* Please refer to the performance table on the following page

**Multiple Lead Orientation options available

PROJECT

CLIENT

TYPE

Solid State Lighting is sensitive to power fluctuations
Surge protection is highly recommended for all LED lighting products and should be on a designated circuit to protect against premature failure
Lack of surge protection may void your warranty

For more information, please download the
BL LIGHTING catalogue

BL LIGHTING. ILLUMINATE EVERYTHING

111 - 8838 Heather St. Vancouver, BC, Canada. V6P 3S8
P: 1-604-874-4405 E: info@bllighting.com
Copyright © BL INNOVATIVE LIGHTING. All Rights Reserved.

bllighting.com



BL neonVIEW

Diffused, Flexible, Linear LED Lighting,
24VDC, Constant Voltage

PIXEL BRIGHT SIDE SI

Side Light, Silicone, Chase
Vertical Bend

Printed

Performance

Color	Load	Lumens	Efficacy	Max. Length	Cutting Increments
RGB	5.03 W/FT	163 lm/FT	32 lm/W	17 ft 11 in	3.28 in (83.3mm)
RGB27K	6.70 W/FT	268 lm/FT	40 lm/W	13 ft 3 in	3.28 in (83.3mm)
RGB40K	6.70 W/FT	268 lm/FT	40 lm/W	13 ft 3 in	3.28 in (83.3mm)

Ordering

Product Name

Color

Lead Orientation

Mounting Accessories

BL neonVIEW PIXEL BR SL SI

RGB = RGB
RGBW (2700K) = RGB27K
RGBW (4000K) = RGB40K

NVS IC BRSL BC = Back Lead
NVS IC BRSL EC = End Lead
NVS IC BRSL RC = Right Side Lead
NVS IC BRSL LC = Left Side Lead

NVBRSL CP = Mounting Clip
NVBRSL CH = Mounting Channel
NVBRSL RCP = Recessed Mounting Clip
NVBRSL RCH = Recessed Mounting Channel

PROJECT

CLIENT

TYPE

Solid State Lighting is sensitive to power fluctuations
Surge protection is highly recommended for all LED lighting products and should be on a designated circuit to protect against premature failure
Lack of surge protection may void your warranty

For more information, please download the
BL LIGHTING catalogue

BL LIGHTING. ILLUMINATE EVERYTHING

111 - 8838 Heather St. Vancouver, BC, Canada. V6P 3S8
P: 1-604-874-4405 E: info@blighting.com
Copyright © BL INNOVATIVE LIGHTING. All Rights Reserved.

blighting.com



BL neonVIEW

Diffused, Flexible, Linear LED Lighting,
24VDC, Constant Voltage

PIXEL BRIGHT SIDE SI

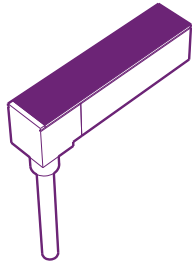
Side Light, Silicone, Chase
Vertical Bend

Printed

Lead Orientation

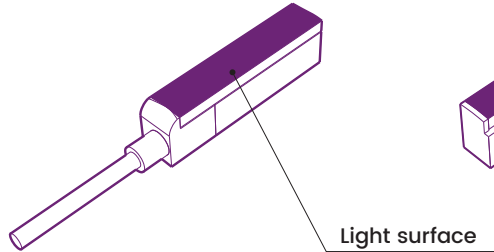
Back Lead

Part# NVS IC BRSL BC 68



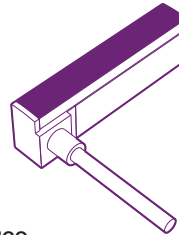
End Lead

Part# NVS IC BRSL EC 68



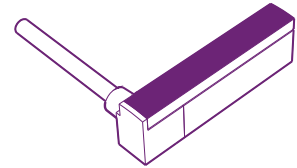
Right Side Lead

Part# NVS IC BRSL RC 68

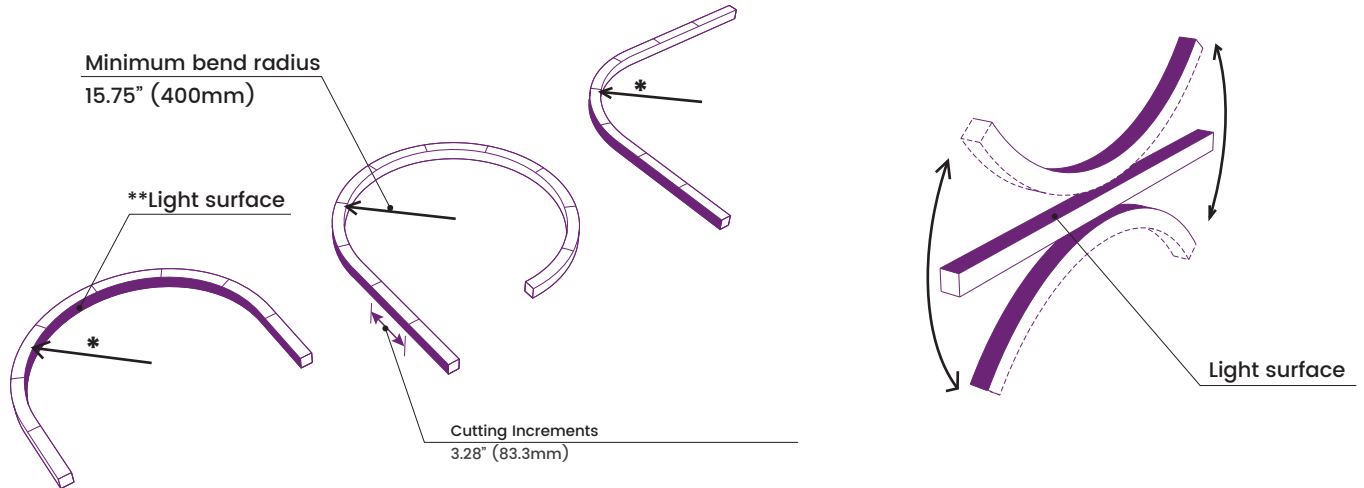


Left Side Lead

Part# NVS IC BRSL LC 68



Minimum Bend Radius and Bend Orientations



**Light surface could be inside or outside.

BL neonVIEW BRIGHT SIDE Series
bends vertically

PROJECT

CLIENT

TYPE

Solid State Lighting is sensitive to power fluctuations
Surge protection is highly recommended for all LED lighting products and should be on a designated circuit to protect against premature failure
Lack of surge protection may void your warranty

For more information, please download the
BL LIGHTING catalogue

BL LIGHTING. ILLUMINATE EVERYTHING

111 - 8838 Heather St. Vancouver, BC, Canada. V6P 3S8
P: 1-604-874-4405 E: info@blighting.com
Copyright © BL INNOVATIVE LIGHTING. All Rights Reserved.

blighting.com



BL neonVIEW

Diffused, Flexible, Linear LED Lighting,
24VDC, Constant Voltage

PIXEL BRIGHT SIDE SI

Side Light, Silicone, Chase
Vertical Bend

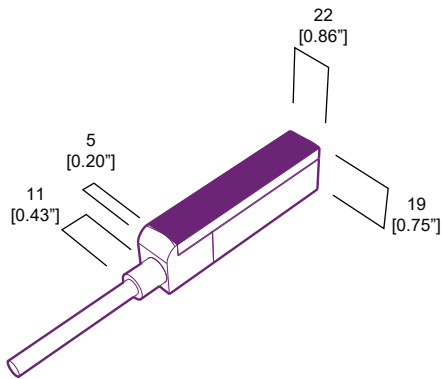
Printed



Dimensions

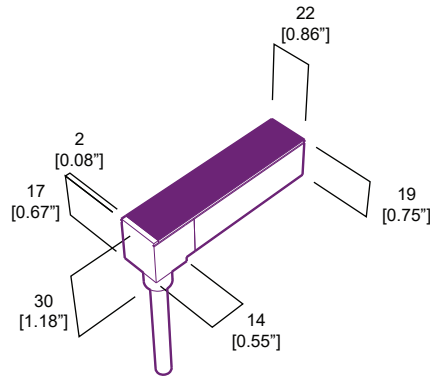
End Lead

Part# NVS IC BRSL EC 68

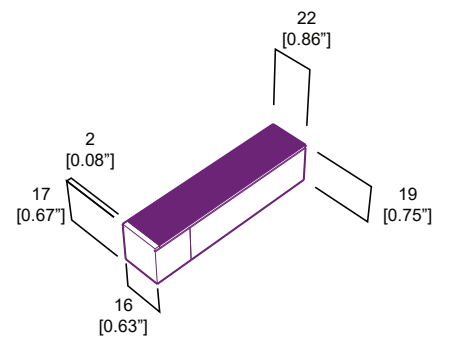


Back Lead

Part# NVS IC BRSL BC 68

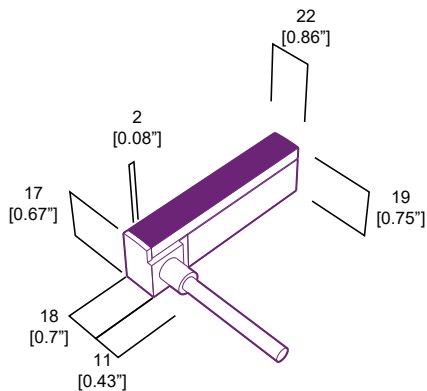


End Cap



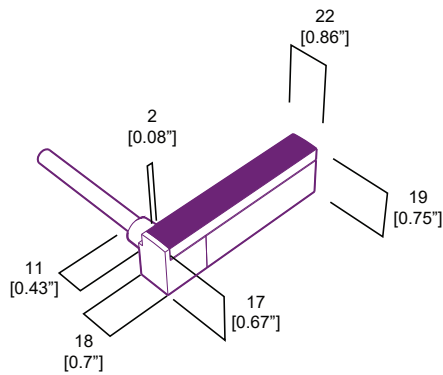
Right Side Lead

Part# NVS IC BRSL RC 68



Left Side Lead

Part# NVS IC BRSL LC 68



The tolerance of the Lead is $\pm 0.5\text{mm}$
For more detail, please download the CAD Drawing

PROJECT

CLIENT

TYPE

Solid State Lighting is sensitive to power fluctuations
Surge protection is highly recommended for all LED lighting products and should be on a designated circuit to protect against premature failure
Lack of surge protection may void your warranty

For more information, please download the
BL LIGHTING catalogue

BL LIGHTING. ILLUMINATE EVERYTHING

111 - 8838 Heather St. Vancouver, BC, Canada. V6P 3S8
P: 1-604-874-4405 E: info@blighting.com
Copyright © BL INNOVATIVE LIGHTING. All Rights Reserved.

blighting.com



BL neonVIEW

Diffused, Flexible, Linear LED Lighting,
24VDC, Constant Voltage

PIXEL BRIGHT SIDE SI

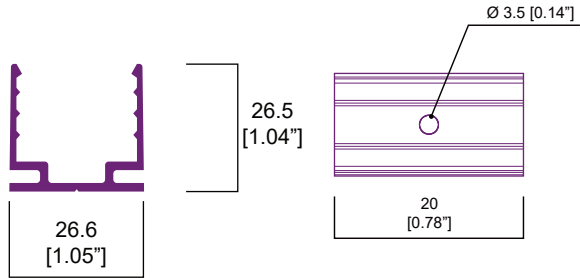
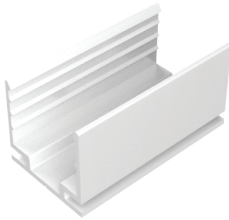
Side Light, Silicone, Chase
Vertical Bend

Printed

Accessories (Surface Mounting Clip and Channel)

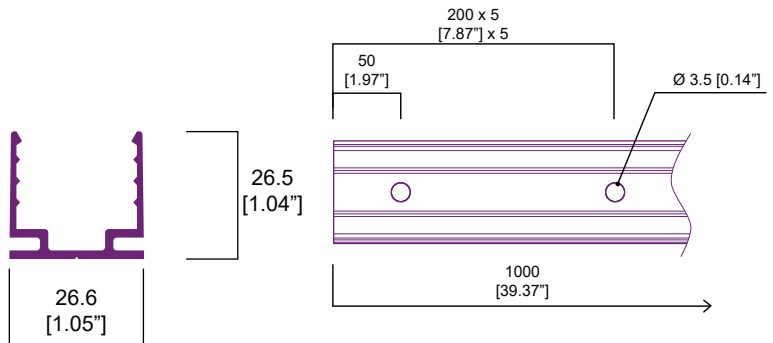
Surface Mounting Clip

Part# NVBRSL CP



Surface Mounting Channel

Part# NVBRSL CH



For more detail, please download the CAD Drawing

PROJECT

CLIENT

TYPE

Solid State Lighting is sensitive to power fluctuations
Surge protection is highly recommended for all LED lighting products and should be on a designated circuit to protect against premature failure
Lack of surge protection may void your warranty

For more information, please download the
BL LIGHTING catalogue

BL LIGHTING. ILLUMINATE EVERYTHING

111 - 8838 Heather St. Vancouver, BC, Canada. V6P 3S8
P: 1-604-874-4405 E: info@blighting.com
Copyright © BL INNOVATIVE LIGHTING. All Rights Reserved.

blighting.com



BL neonVIEW

Diffused, Flexible, Linear LED Lighting,
Side Emitting, 24VDC, Constant Voltage

PIXEL BRIGHT SIDE SI

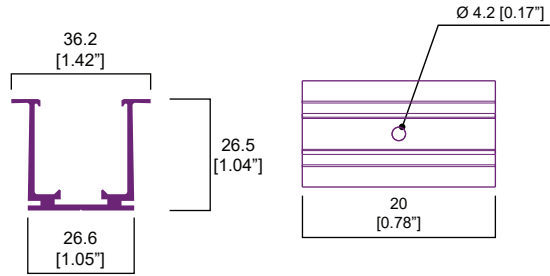
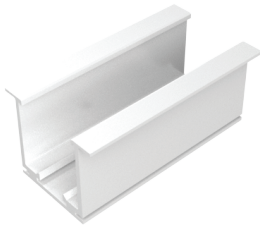
Side Light, Silicone, Chase
Vertical Bend

Printed

Accessories (Recessed Mounting Clip and Channel)

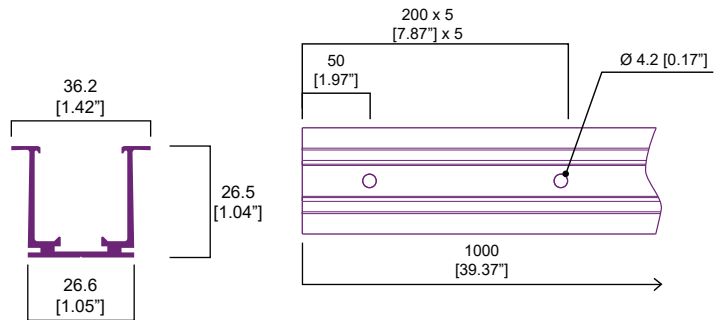
Recessed Mounting Clip

Part# NVBRSL RCP



Recessed Mounting Channel

Part# NVBRSL RCH



For more detail, please download the CAD Drawing

PROJECT

CLIENT

TYPE

Solid State Lighting is sensitive to power fluctuations
Surge protection is highly recommended for all LED lighting products and should be on a designated circuit to protect against premature failure
Lack of surge protection may void your warranty

For more information, please download the
BL LIGHTING catalogue

BL LIGHTING. ILLUMINATE EVERYTHING

111 - 8838 Heather St. Vancouver, BC, Canada. V6P 3S8
P: 1-604-874-4405 E: info@blighting.com
Copyright © BL INNOVATIVE LIGHTING. All Rights Reserved.

blighting.com

