

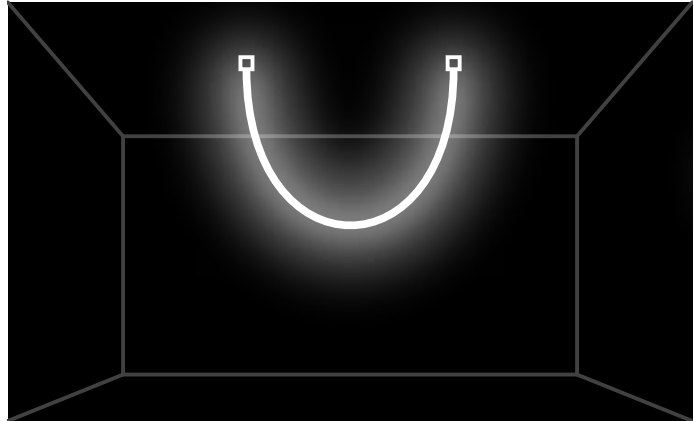


Please note that these instructions are guidelines only and in no way supersede any construction or installation standards. Local building and electrical codes should be consulted before installation.

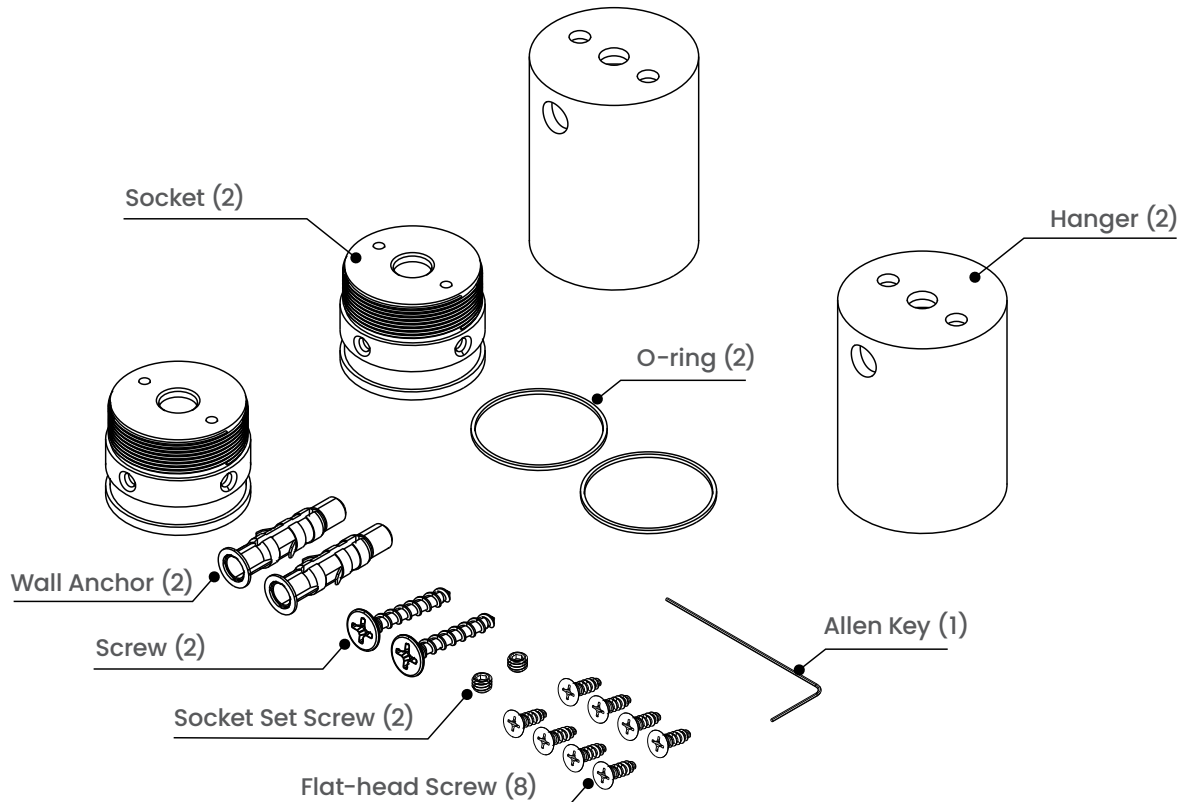
**ATTENTION**

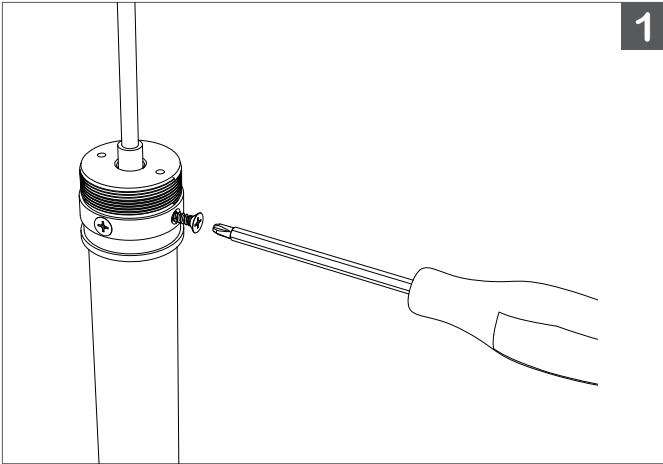
- There is potential danger of electrical shock when operating electrical components.
- Make sure power is turned off before installation.
- Allow for heat dissipation and adequate ventilation.

**INSTALLATION LAYOUT**



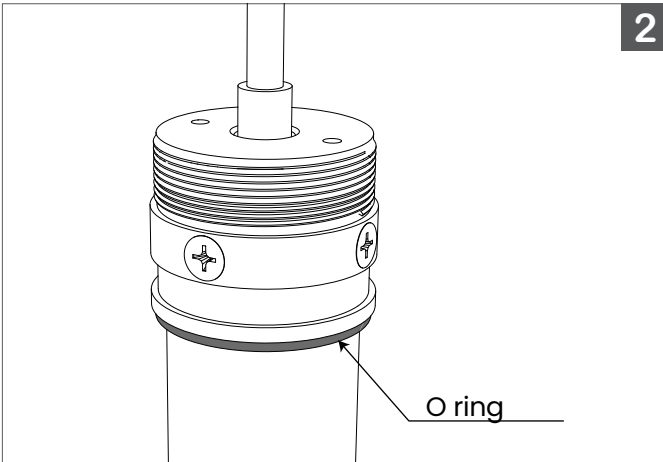
**COMPONENTS**





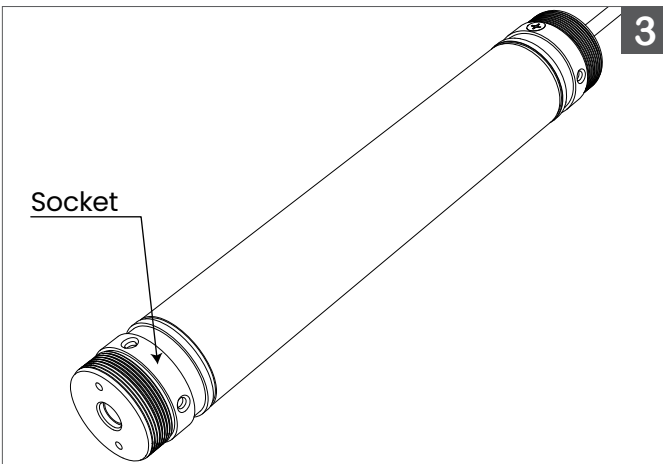
1.

Route Lead Wire through Socket, and fully insert until it touches the end. Secure the Socket to **N360** using (4) screws provided, and tighten until they are flush with the surface of the Socket.



2.

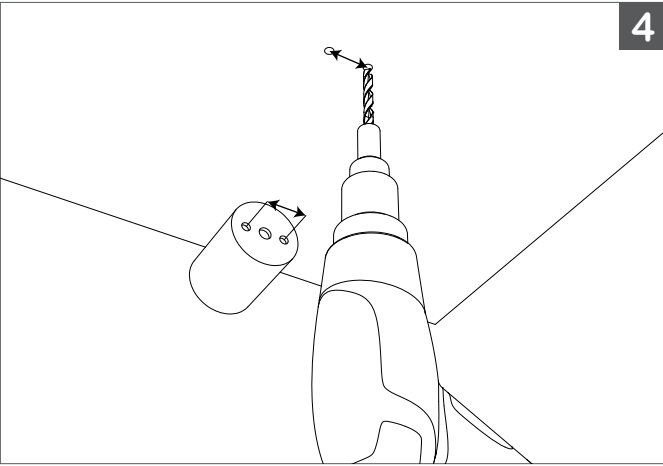
Slip the O-Ring over the **N360** light, and slide up to the base of the Socket.



3.

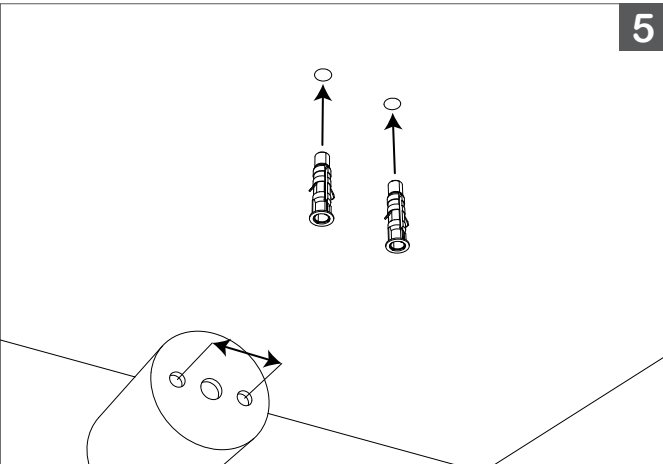
Push the socket into the **N360** until it touches the end of the fixture.



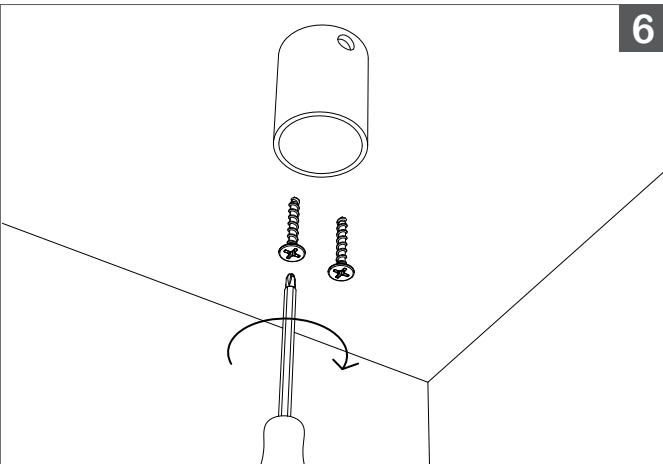


4. Using the Hanger as a guide, mark and drill holes for mounting and for routing End Leads, if applicable.

Secure the Hanger to surface using screws appropriate for the mounting surface.

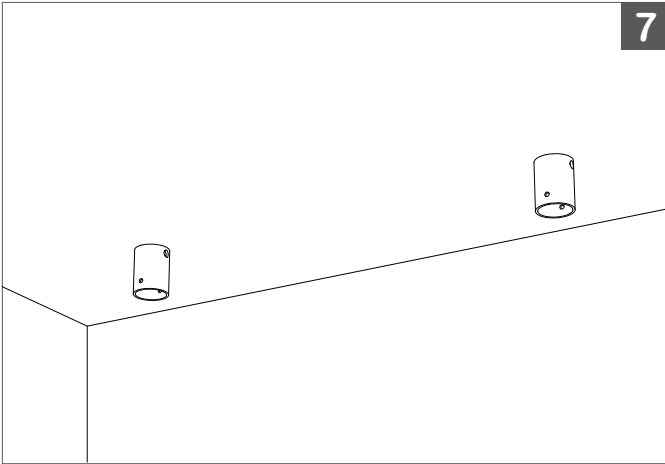


5. Insert the anchors into the drilled holes.

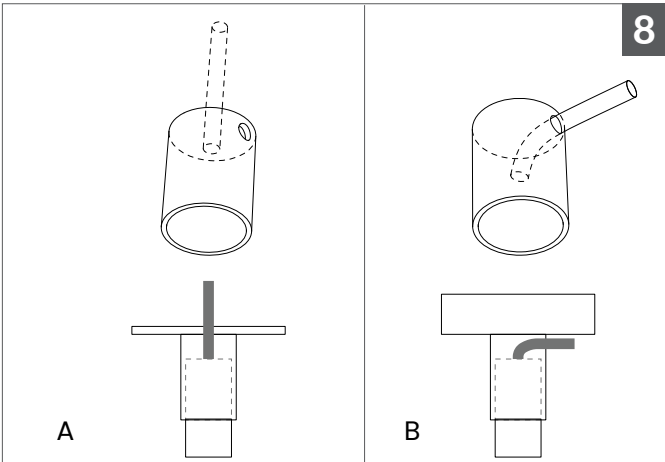


6. Secure the Endcap on the Lead Wire side of the **N360** to the designated position.

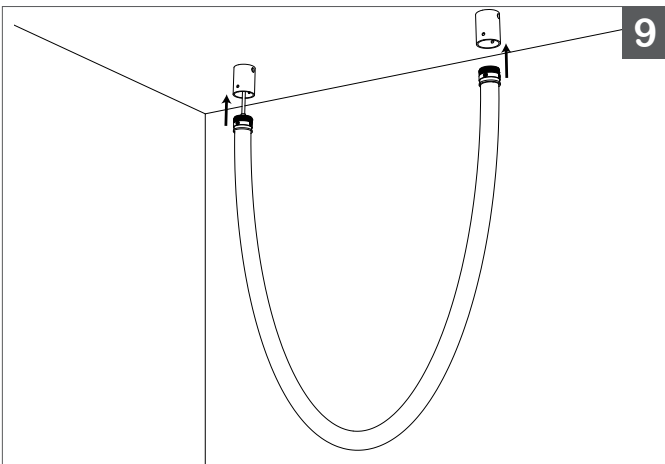




7.  
Ensure that both Endcaps are securely fastened.

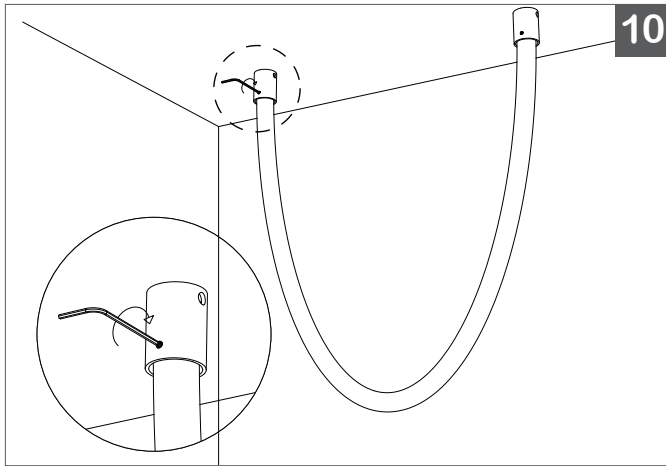


8.  
There are two methods: (A) pulling the Lead Wire over the Hanger and (B) pulling the wire out from the side.



9.  
Route the End or Side Lead wire through the hole and insert the **N360** light into the Hanger, and fasten securely in place with the (2) Set Screws provided.





10.

Use an Allen key to tighten the socket set screw in a clockwise direction until it is flush with the surface of the Hanger.

#### ATTENTION

- Do not illuminate N360 when coiled.
- Do not mix RGBW in full load simultaneously.
- Do not operate or install the lighting when the ambient temperature exceeds the operation and installation range temperatures as specified in each individual product's Technical Data Sheet.
- Lighting must always be powered down and OFF during installation.
- Installation must be performed by qualified professionals and in accordance with local codes.
- Refer to [www.bllighting.com](http://www.bllighting.com) for up to date specifications and technical data.

BL Lighting takes pride in providing quality lighting products designed to last, and our lighting goes through rigorous quality controls throughout the manufacturing process. This includes a final bench test which is conducted just prior to the shipment, ensuring that all lighting leaves our facility in good working order. It is recommended to bench test all lighting upon receipt and prior to final installation. Damage and shortage claims must be received within one week of receipt of goods.

LED lighting is polarity sensitive. Verify the polarity and voltage rating prior to installation and bench testing. Refer to tables in the technical data pages for the power draw requirements. Install with an appropriate, BL Lighting supplied Class 2 rated LED Drivers and Surge Protection Devices. Consult the electrical code for details on selecting wire, mounting and installing power supplies/drivers. BL Lighting offers a range of dimmable and static LED drivers and power supplies, see [www.bllighting.com](http://www.bllighting.com) for more details.

