

# BL neonVIEW MINI SIDE SI RGBW HB

Diffused, Flexible, Linear LED Lighting,  
24VDC, Constant Voltage, Horizontal Bend,  
Mini Side Profile, Silicone, Color Changing



With a thin and flexible 0.47" by 0.47" (12mm by 12mm) profile, BL neonVIEW MINI SIDE SI RGBW is perfect for highlights, outlines, signs, and contours of any shape and size. With a tight bending radius of 1.97" (50mm), you can seamlessly integrate lines of dot free, high brightness light, into even the tiniest of architectural features. A great choice for illuminating small spaces such as in displays, under cabinets, in shelving and niches, BL neonVIEW MINI renders smooth, uniform illumination up to 66 lumens per foot.

<b>CLIENT</b>	
<b>PROJECT NAME</b>	
<b>LOCATION</b>	
<b>DATE</b>	

**Dot-free** **Seamless connections** **-40°F to 131°F (-40°C to 55°C)** **Color Changing**

## Product Detail



<b>Lighting</b>	Lamp	LED, SMD 3535+3535
	LED's Per Foot	73 LEDs/ft (240 LEDs/m)
	Beam Angle	120°
	Average Life	50,000 Hours
<b>Electrical</b>	Controls	DMX, Bluetooth
	Input Voltage	24VDC
	Max Input Current	4.12A
	Connections	20AWG, Copper Conductors
	Power Cable Length	Standard 10ft (3m). Also available in 16ft (5m) and 32ft (10m)
<b>Mechanical</b>	Circuit	Class 2
	Housing Construction	Injection Moulded White Silicone
	Minimum Bend Radius	1.97" (50mm)
	Operating Temperature	-40°F to 131°F (-40°C to 55°C)
<b>Environmental</b>	Ingress Protection	IP68
	Impact Protection	IK08
	Vibration Rating	3G
	Resistance	UV, Flame, Solvents and Saltwater Resistant
	Certifications	cULus, CE, RoHS Compliant



## Performance

CCT/Color		RGB	RGBW (2700K)	RGBW (4000K)
<b>Power</b>	W/FT (W/m)	1.83 (6)	2.75 (9)	
<b>Lumens</b>	lm/FT (lm/m)	44 (144)	66 (215)	66 (215)
<b>Efficacy</b>	lm/W	24	24	24
<b>CRI</b>	CRI	-	80 (white LED only)	
<b>Increment</b>	inch (mm)	1.97 (50)		
<b>Max. Length</b>	ft (m)	16.4 ft (5m)		

## Ordering

Product Code	Color	Lead Orientation	Mounting Accessories
BL neonVIEW MN SL SI RGBW HB			
	RGB	NVS RGBW MN SL BC 68 = Back Lead	NVMNSL CPS = Mounting Clip
	RGBW (2700K)	NVS RGBW MN SL EC 68 = End Lead	NVMNSL CHS = Mounting Channel
	RGBW (4000K)	NVS RGBW MN SL RC 68 = Right Side Lead NVS RGBW MN SL LC 68 = Left Side Lead	NVMNSL RCPS = Recessed Mounting Clip NVMNSL RCHS = Recessed Mounting Channel

### BL LIGHTING ILLUMINATE EVERYTHING

111 - 8838 Heather St. Vancouver, BC, Canada. V6P 3S8  
P: 1-804-874-4405 E: info@bllighting.com  
Copyright © BL INNOVATIVE LIGHTING. All Rights Reserved.

Solid State Lighting is sensitive to power fluctuations. Surge protection is highly recommended for all LED lighting products and should be on a dedicated circuit to protect against premature failure. Lack of surge protection may void your warranty.

Designed & Assembled in North America.

Specifications subject to change without notice. Please refer to our website at [bllighting.com](http://bllighting.com) for current technical data.

For more information, please download the BL LIGHTING catalog

[bllighting.com](http://bllighting.com)



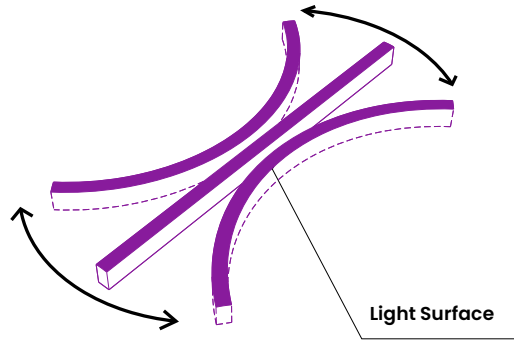
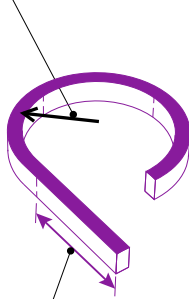
**Minimum Bend Radius and Bend Orientation**

**Minimum Bend Radius**

3.94" (100mm)

**Cutting Increments**

1.97" (50mm)

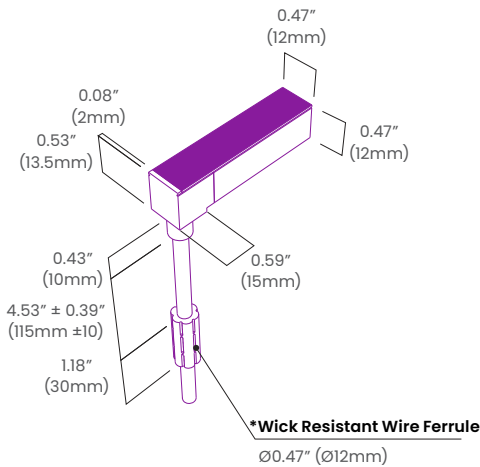


**BL neonVIEW MINI SIDE HB Series bends horizontally**  
Vertical bend option also available.

**Dimensions & Lead Orientations**

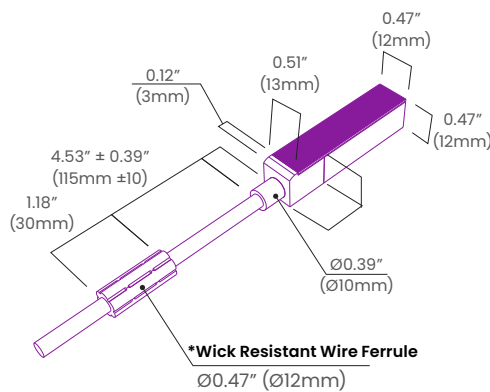
**Back Lead**

**NVS RGBW MN SL BC 68**

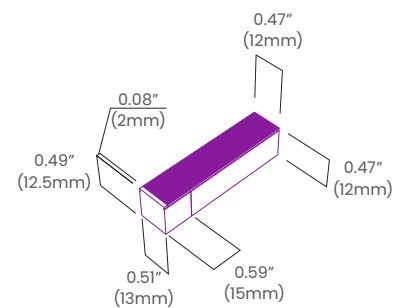


**End Lead**

**NVS RGBW MN SLE C 68**

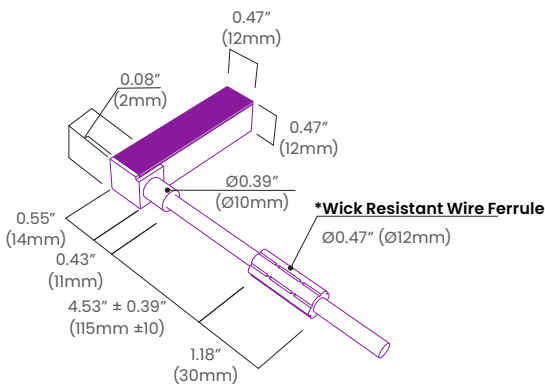


**End Cap**



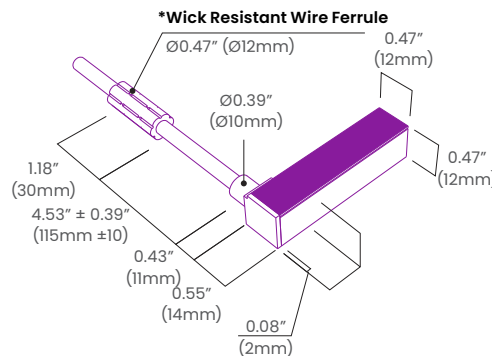
**Right Side Lead**

**NVS RGBW MN SL RC 68**



**Left Side Lead**

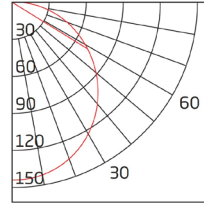
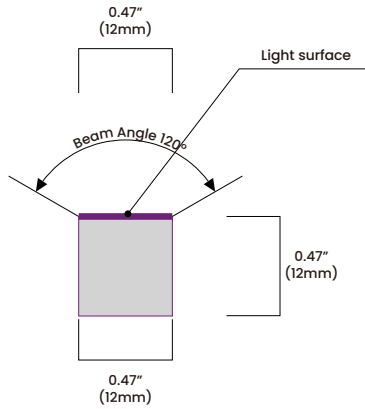
**NVS RGBW MN SLL C 68**



*\*The Wick Resistant Wire Ferrule is built into the lead wire, 4.5" (115mm) from the BL neonVIEW Termination Connection, for additional moisture ingress protection. Removal of the Wick Resistant Wire Ferrule may void your warranty.*



**Beam Angle**



Unit: cd  
— C90/270

Average Beam Angle (50%): 112°

