

BL neonVIEW LINE FLAT

Diffused, Flexible, Linear LED Lighting,
Flat Profile, 120VAC

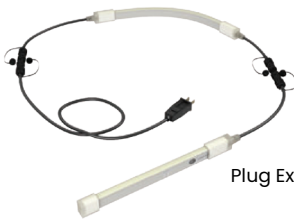


The BL neonVIEW Series family of direct-view, linear lighting products are best-in-class, fully flexible, specification-grade customizable LED systems for indoor or outdoor use. With BL neonVIEW LINE FLAT you can achieve run lengths up to 130FT from a single 120V power cable! The flexible, flat shaped diffuser bends horizontally and emits a dot free, vivid line of concentrated light, up to 137 lm/ft, with a 160° viewing angle. Ideal for building outlines, facades, signage and architectural accents. Double-injection molded terminations provide great weather protection, and cables are configurable for hard-wiring or simply plug and play. BL neonVIEW LINE FLAT is available in your choice of single color, and a wide variety of standard and custom CCT values.

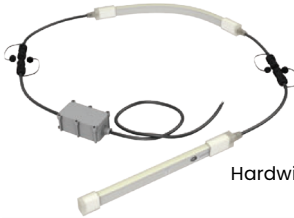
CLIENT	
PROJECT NAME	
LOCATION	
DATE	

Dot-free | **120VAC input** | **-4°F to 113°F (-20°C to 45°C)**

Product Detail



Plug Extendable



Hardwired Extendable



Lighting	Lamp	LED, SMD 5050
	LED's Per Foot	27 LEDs/ft (84 LEDs/m)
	Beam Angle	120°
Electrical	Average Life	50,000 Hours
	Input Voltage	120VAC
Mechanical	Connections	Hardwired (HP), Male Plug-in Connector (PP)
	Housing Construction	Injection Moulded White PVC
	Maximum Run Length	130' (39.6m)
	Medial Bend Radius	2.36" (60mm)
	Mounting	Clip, Track
Environmental	Connection	Factory installed, double injection molded
	Operating Temperature	-4°F to 113°F (-20°C to 45°C)
	Ingress Protection	IP65
	Certifications	ETL

Performance

CCT/Color		2200K	2700K	3000K	3500K	4000K	5700K	Red	Green	Blue	Amber
Power	W/FT (W/m)	3.05 (10)									
Lumens	lm/FT (lm/m)	91 (300)	107 (350)	107 (350)	107 (350)	107 (350)	107 (350)	67 (220)	137 (450)	24 (80)	67 (220)
Efficacy	lm/W	30	35	35	35	35	35	22	45	8	22
CRI	CRI	80						-	-	-	-
Increment	inch (mm)	3.28 (83.3)						4.92 (125)	3.28 (83.3)	3.28 (83.3)	4.92 (125)
Max. Length	ft (m)	130 (39.6)									

Ordering

Product Code	CCT/Color	Lead Orientation	Connector	Mounting Accessories*
BL neonVIEW LINE FLAT	2200K	LINETKBC = Back Lead	HP = Hardwired Power Cable	NV CPS = Mounting Clip
	2700K	LINETKEC = End Lead	PP = Plugin Power Cable	NV CHS = Mounting Channel
	3000K	LINETKRC = Right Side Lead		NV RCPS = Recessed Mounting Clip
	3500K	LINETKLC = Left Side Lead		NV RCHS = Recessed Mounting Channel
	4000K			NV FCHS AL = Flexible Mounting Channel
	5700K			
	Red			
	Green			
	Blue			
	Amber			

* Stainless steel and composite mounting options are also available.

BL LIGHTING ILLUMINATE EVERYTHING

111 - 8838 Heather St. Vancouver, BC, Canada. V6P 3S8
P: 1-804-874-4405 E: info@blighting.com
Copyright © BL INNOVATIVE LIGHTING. All Rights Reserved.

Solid State Lighting is sensitive to power fluctuations. Surge protection is highly recommended for all LED lighting products and should be on a dedicated circuit to protect against premature failure. Lack of surge protection may void your warranty.

Designed & Assembled in North America.

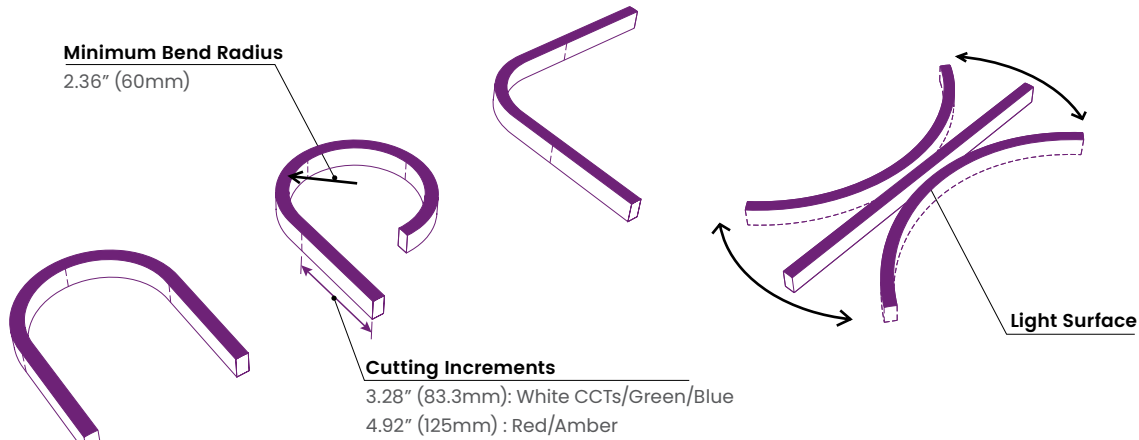
Specifications subject to change without notice. Please refer to our website at blighting.com for current technical data.

For more information, please download the BL LIGHTING catalog

blighting.com



Minimum Bend Radius and Bend Orientation



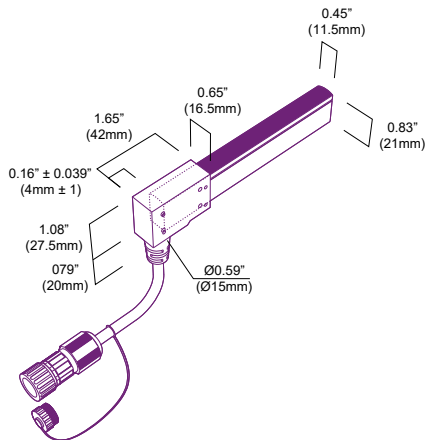
BL neonVIEW LINE FLAT Series bends horizontally

Vertical bend option available on BL neonVIEW LINE SIDE Series

Dimensions & Lead Orientations

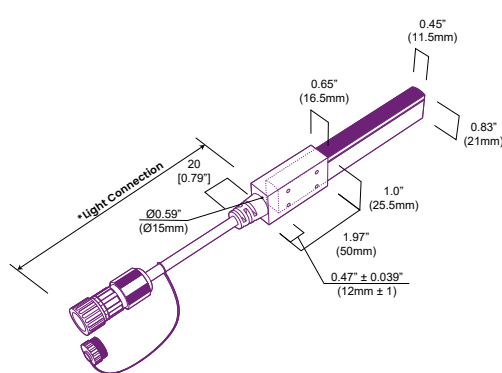
Back Lead

LINETKBC



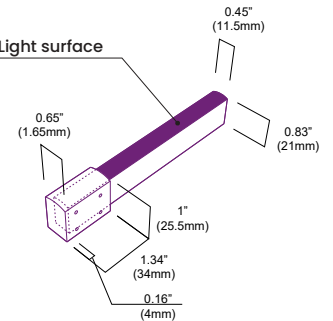
End Lead

LINETKEC



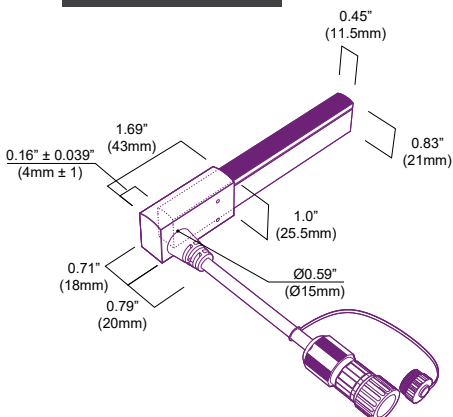
End Cap

Light surface



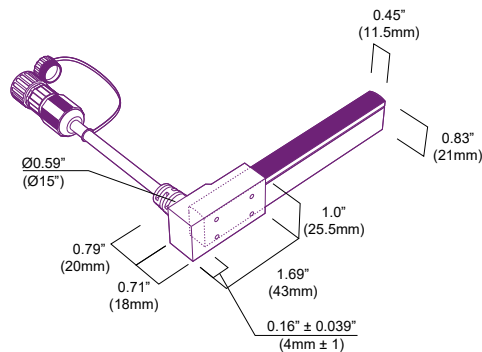
Right Side Lead

LINETKRC



Left Side Lead

LINETKLC

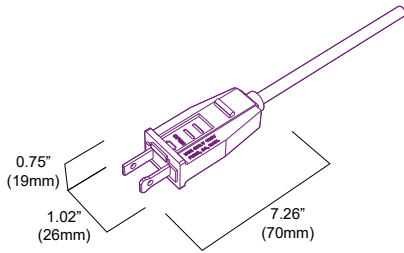


*Light Connection
Standard Length: 1ft (0.3 m)
Length can be customized to
9.84ft (3m), 16.4ft (5m), 32.8ft (10m)

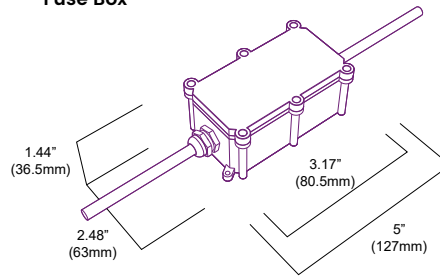


Connector & Accessories Dimensions

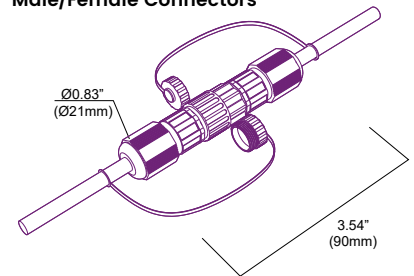
Power Plug



Fuse Box

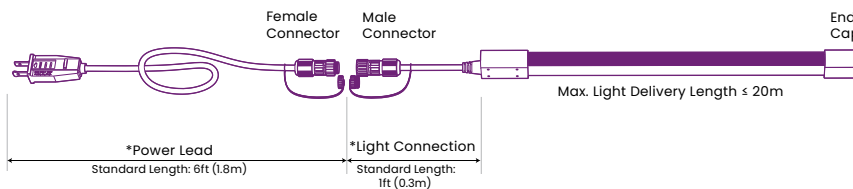


Male/Female Connectors

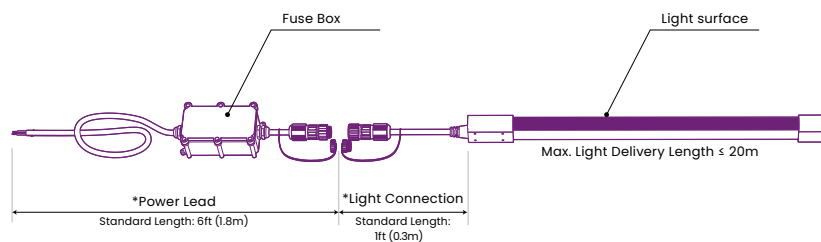


120VAC Connection Options

Plug Extendable



Hardwire Extendable

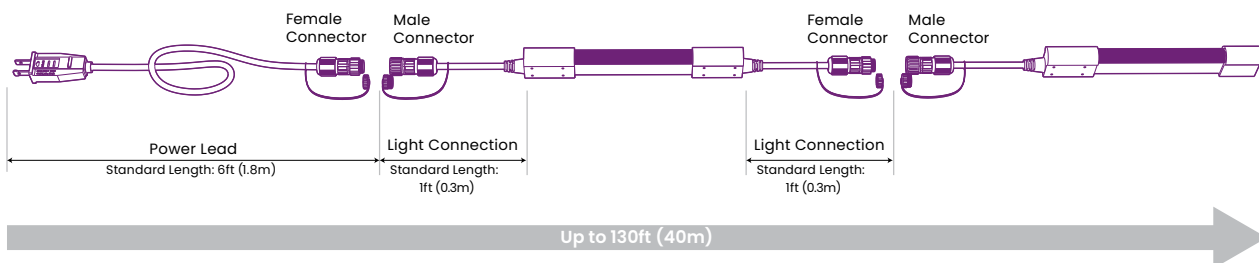


**Power Lead
Standard Length: 1ft (0.3m)
Length can be customized to
9.84ft (3m), 16.4ft (5m), 32.8ft (10m)*

**Light Connection
Standard Length: 6ft (1.8m)
Length can be customized to
9.84ft (3m), 16.4ft (5m), 32.8ft (10m)*

Extended Segment - Up to 130ft (40m)

Plug Extendable



Hardwire Extendable

