

The BL neonVIEW Series family of direct-view, linear lighting products are best-in-class, fully flexible, specification-grade customizable LED systems for indoor or outdoor use. With BL neonVIEW LINE DOME you can achieve run lengths up to 130FT from a single 120V power cable! The flexible, Dome shaped lens profile bends horizontally and delivers uniform, dot free linear light, up to 128lm/ft, with a wide 270° viewing angle. Ideal for building outlines, facades, signage and architectural accents. Double-injection molded terminations provide great weather protection, and cables are configurable for hard-wiring or simply plug and play. BL neonVIEW LINE DOME is available in your choice of single color, and a wide variety of standard and custom CCT values.

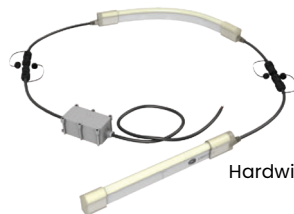
**Dot-free**   **120VAC input**   **-4°F to 113°F (-20°C to 45°C)**

<b>CLIENT</b>	
<b>PROJECT NAME</b>	
<b>LOCATION</b>	
<b>DATE</b>	

## Product Detail



Plug Extendable



Hardwired Extendable



<b>Lighting</b>	Lamp	LED, SMD 5050
	LED's Per Foot	27 LEDs/ft (84 LEDs/m)
	Beam Angle	160°
<b>Electrical</b>	Average Life	50,000 Hours
	Controls	ELV
	Input Voltage	120VAC
<b>Mechanical</b>	Connections	Hardwired (HP), Male Plug-in Connector (PP)
	Housing Construction	Injection Moulded White PVC
	Maximum Run Length	130' (39.6m)
	Medial Bend Radius	2.36" (60mm)
	Mounting	Clip, Track
<b>Environmental</b>	Connection	Factory installed, double injection molded
	Operating Temperature	-4°F to 113°F (-20°C to 45°C)
	Ingress Protection	IP65
	Certifications	ETL

## Performance

CCT/Color		2200K	2700K	3000K	3500K	4000K	5700K	Red	Green	Blue	Amber
<b>Power</b>	W/FT (W/m)	3.05 (10)									
<b>Lumens</b>	lm/FT (lm/m)	104 (340)	128 (420)	128 (420)	128 (420)	128 (420)	128 (420)	76 (250)	159 (520)	27 (90)	76 (250)
<b>Efficacy</b>	lm/W	34	42	42	42	42	42	25	52	9	25
<b>CRI</b>	CRI	80						-	-	-	-
<b>Increment</b>	inch (mm)	3.28 (83.3)						4.92 (125)	3.28 (83.3)	3.28 (83.3)	4.92 (125)
<b>Max. Length</b>	ft (m)	130 (39.6)									

## Ordering

Product Code	CCT/Color	Lead Orientation	Connector	Mounting Accessories*
BL neonVIEW LINE DOME	2200K	LINETKBC = Back Lead	HP = Hardwired Power Cable	NV CPS = Mounting Clip
	2700K	LINETKEC = End Lead	PP = Plugin Power Cable	NV CHS = Mounting Channel
	3000K	LINETKRC = Right Side Lead		NV RCPS = Recessed Mounting Clip
	3500K	LINETKLC = Left Side Lead		NV RCHS = Recessed Mounting Channel
	4000K			NV FCHS AL = Flexible Mounting Channel
	5700K			
	Red			
	Green			
	Blue			
	Amber			

\* Stainless steel and composite mounting options are also available.

### BL LIGHTING ILLUMINATE EVERYTHING

111 - 8838 Heather St. Vancouver, BC, Canada. V6P 3S8  
P: 1-804-874-4405 E: info@blighting.com  
Copyright © BL INNOVATIVE LIGHTING. All Rights Reserved.

Solid State Lighting is sensitive to power fluctuations. Surge protection is highly recommended for all LED lighting products and should be on a dedicated circuit to protect against premature failure. Lack of surge protection may void your warranty.

Designed & Assembled in North America.

Specifications subject to change without notice. Please refer to our website at blighting.com for current technical data.

For more information, please download the BL LIGHTING catalog

blighting.com



## Minimum Bend Radius and Bend Orientation

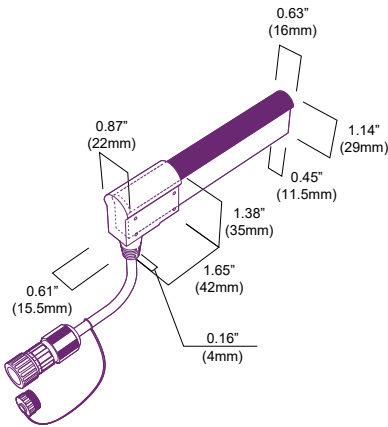


**BL neonVIEW LINE DOME Series bends horizontally**  
Vertical bend option available on BL neonVIEW LINE SIDE Series

## Dimensions & Lead Orientations

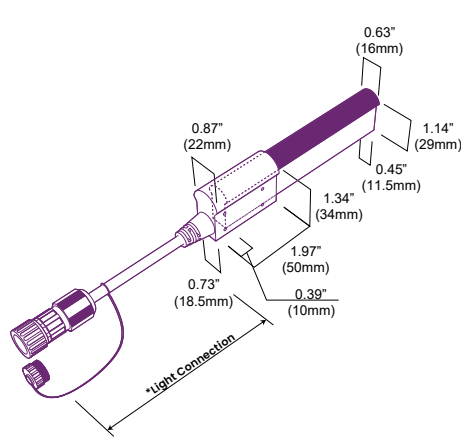
### Back Lead

LINETKBC

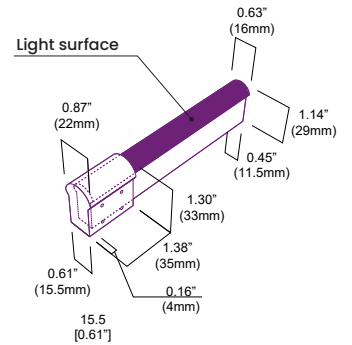


### End Lead

LINETKEC

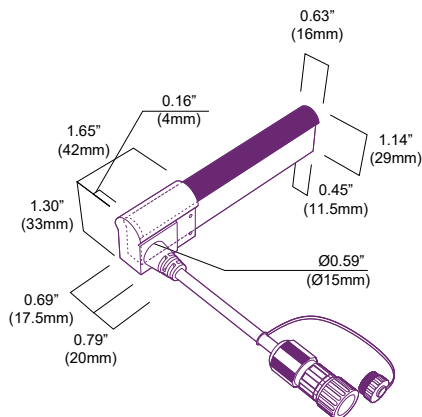


### End Cap



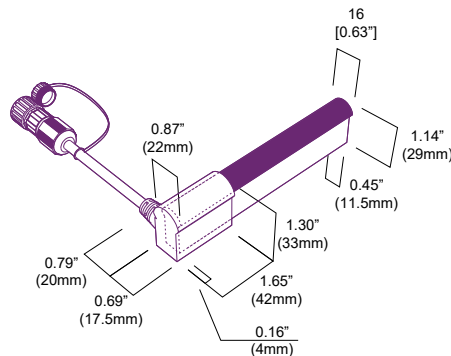
### Right Side Lead

LINETKRC



### Left Side Lead

LINETKLC

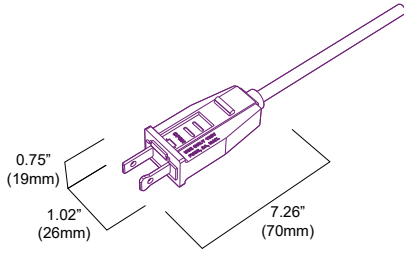


*\*Light Connection*  
Standard Length: 1ft ( 0.3 m)  
Length can be customized to  
9.84ft (3m), 16.4ft (5m), 32.8ft (10m)

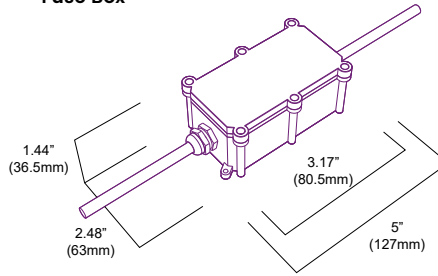


## Connector Dimensions

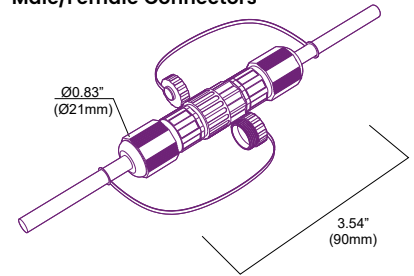
**Power Plug**



**Fuse Box**

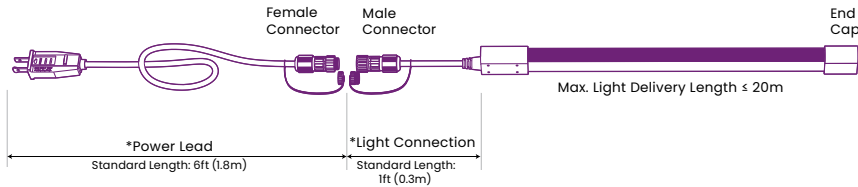


**Male/Female Connectors**

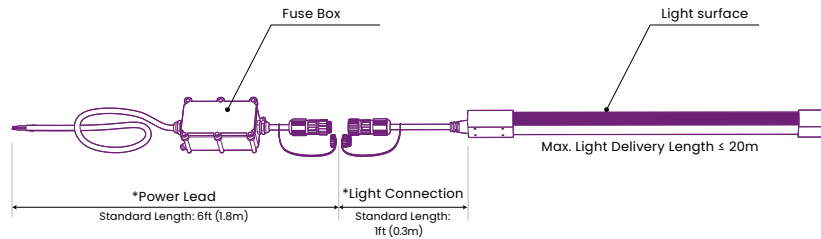


## 120VAC Connection Options

**Plug Extendable**



**Hardwire Extendable**

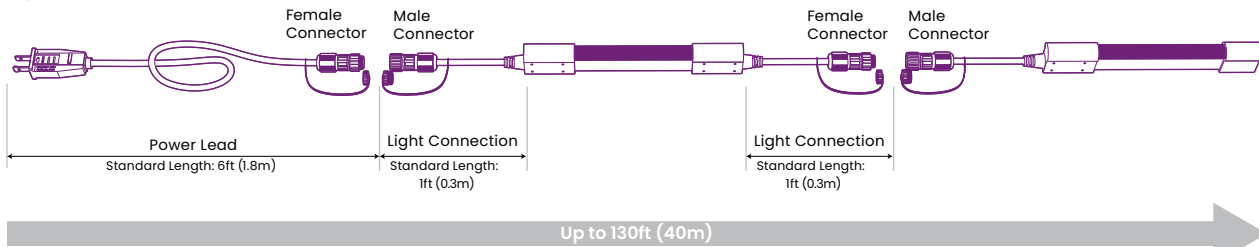


*\*Power Lead  
Standard Length: 1ft (0.3m)  
Length can be customized to  
9.84ft (3m), 16.4ft (5m), 32.8ft (10m)*

*\*Light Connection  
Standard Length: 6ft (1.8m)  
Length can be customized to  
9.84ft (3m), 16.4ft (5m), 32.8ft (10m)*

## Extended Segment - Up to 130ft (40m)

**Plug Extendable**



**Hardwire Extendable**

