

BL neonVIEW

Diffused, Flexible, Linear LED Lighting, 24VDC, Constant Voltage

FLAT SI SC

Flat Profile, Silicone, Single Color

Printed



Certification



Lighting



Lamp	LED, SMD 5050
LED's Per Foot	21 LEDs/ft (72 LEDs/m)
Power	* 2.44-3.66 W/FT
Beam Angle	120°
Average Life	50,000 Hours
Lumens	* 26-143 lm/FT
Efficacy	* 7-39 lm/W

Electrical

Control	0-10V, MLV, ELV, Phase-Cut, Triac, DMX, Bluetooth
Input Voltage	24VDC
Max Input Current	4.12A (White)
Connections	18AWG, Copper Conductors
Operating Temperature	-40°F to 131°F (-40°C to 55°C)
Circuit	Class 2

Mechanical

Housing Construction	Injection Moulded White Silicone
Medial Bend Radius	60mm (2-1/4")
Environmental	IP68 (Seamless Injection Molded)
Mounting	Clip, Track

* Please refer to the performance table on the following page

PROJECT

CLIENT

TYPE

Solid State Lighting is sensitive to power fluctuations
Surge protection is highly recommended for all LED lighting products and should be on a designated circuit to protect against premature failure
Lack of surge protection may void your warranty

For more information, please download the
BL LIGHTING catalogue

BL LIGHTING. ILLUMINATE EVERYTHING

111 - 8838 Heather St. Vancouver, BC, Canada. V6P 3S8
P: 1-604-874-4405 E: info@bllighting.com
Copyright © BL INNOVATIVE LIGHTING. All Rights Reserved.

bllighting.com



BL neonVIEW

Diffused, Flexible, Linear LED Lighting, 24VDC, Constant Voltage

FLAT SI SC

Flat Profile, Silicone, Single Color

Printed

Performance

CCT/Color	Load	Lumens	Efficacy	Max. Length	Cutting Increments
2200K	3.66 W/FT	106 lm/FT	29 lm/W	24 ft 11 in	3-9/32 in (83.3mm)
2400K	3.66 W/FT	128 lm/FT	35 lm/W	24 ft 11 in	3-9/32 in (83.3mm)
2700K	3.66 W/FT	128 lm/FT	35 lm/W	24 ft 11 in	3-9/32 in (83.3mm)
3000K	3.66 W/FT	135 lm/FT	37 lm/W	24 ft 11 in	3-9/32 in (83.3mm)
3500K	3.66 W/FT	132 lm/FT	36 lm/W	24 ft 11 in	3-9/32 in (83.3mm)
4000K	3.66 W/FT	141 lm/FT	39 lm/W	24 ft 11 in	3-9/32 in (83.3mm)
5700K	3.66 W/FT	128 lm/FT	35 lm/W	24 ft 11 in	3-9/32 in (83.3mm)
Red	2.45 W/FT	51 lm/FT	21 lm/W	35 ft 11 in	4-59/64 in (125mm)
Green	3.66 W/FT	132 lm/FT	36 lm/W	24 ft 11 in	3-9/32 in (83.3mm)
Blue	3.66 W/FT	26 lm/FT	7 lm/W	24 ft 11 in	3-9/32 in (83.3mm)
Amber	2.45 W/FT	47 lm/FT	19 lm/W	35 ft 11 in	4-59/64 in (125mm)

Ordering

	CCT/Color	Lead Orientation	Mounting Accessories
BL neonVIEW FT SI	<p>2200K</p> <p>2400K</p> <p>2700K</p> <p>3000K</p> <p>3500K</p> <p>4000K</p> <p>5700K</p> <p>Red</p> <p>Green</p> <p>Blue</p> <p>Amber</p>	<p>NVS FT BC 68 = Back</p> <p>NVS FT EC 68 = End</p> <p>NVS FT RC 68 = Right Side</p> <p>NVS FT LC 68 = Left Side</p>	<p>NV CPS = Mounting Clip</p> <p>NV CHS = Mounting Channel</p> <p>NV RCPS = Recessed Mounting Clip</p> <p>NV RCHS = Recessed Mounting Channel</p> <p>NV FCHS AL = Flexible Mounting Channel</p>

PROJECT

CLIENT

TYPE

Solid State Lighting is sensitive to power fluctuations
Surge protection is highly recommended for all LED lighting products and should be on a designated circuit to protect against premature failure
Lack of surge protection may void your warranty

For more information, please download the
BL LIGHTING catalogue

BL LIGHTING. ILLUMINATE EVERYTHING

111 - 8838 Heather St. Vancouver, BC, Canada. V6P 3S8
P: 1-604-874-4405 E: info@blighting.com
Copyright © BL INNOVATIVE LIGHTING. All Rights Reserved.

blighting.com



BL neonVIEW

Diffused, Flexible, Linear LED Lighting, 24VDC, Constant Voltage

FLAT SI SC

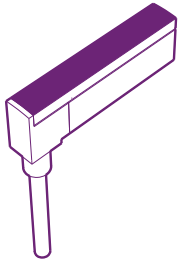
Flat Profile, Silicone, Single Color

Printed

Lead Orientation

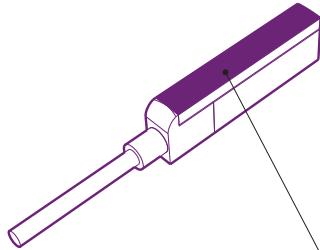
Back Lead

Part# NVS FT BC 68



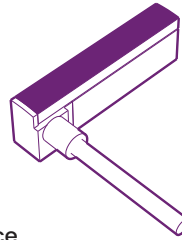
End Lead

Part# NVS FT EC 68



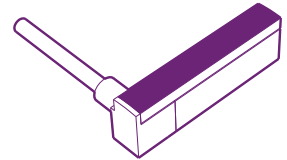
Right Side Lead

Part# NVS FT RC 68



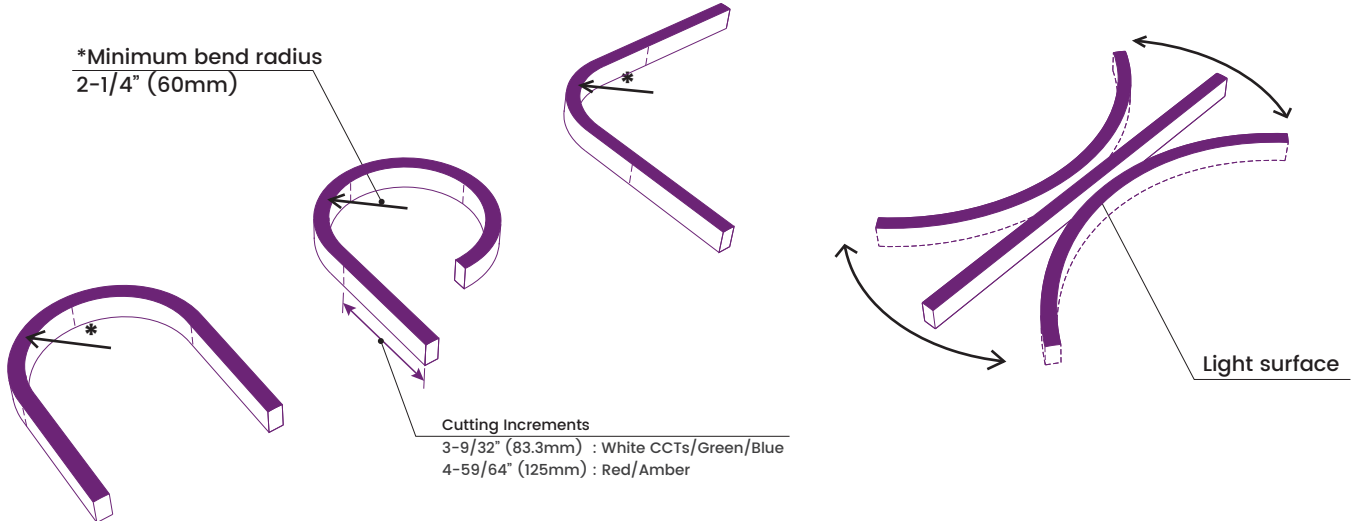
Left Side Lead

Part# NVS FT LC 68



Light surface

Minimum Bend Radius and Bend Orientations



BL neonVIEW FLAT Series bends horizontally
*Vertical bend option available on
BL neonVIEW SIDE Series

PROJECT

CLIENT

TYPE

Solid State Lighting is sensitive to power fluctuations
Surge protection is highly recommended for all LED lighting products and should be on a designated circuit to protect against premature failure
Lack of surge protection may void your warranty

For more information, please download the
BL LIGHTING catalogue

BL LIGHTING. ILLUMINATE EVERYTHING

111 - 8838 Heather St. Vancouver, BC, Canada. V6P 3S8
P: 1-604-874-4405 E: info@blighting.com
Copyright © BL INNOVATIVE LIGHTING. All Rights Reserved.

blighting.com



BL neonVIEW

Diffused, Flexible, Linear LED Lighting, 24VDC, Constant Voltage

FLAT SI SC

Flat Profile, Silicone, Single Color

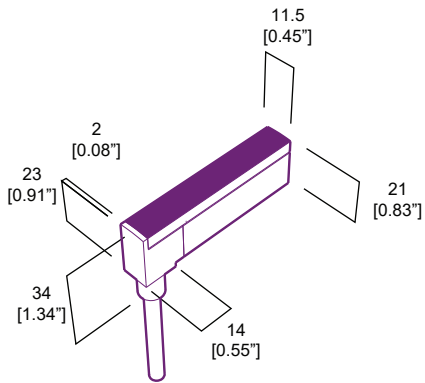
Printed



Dimensions

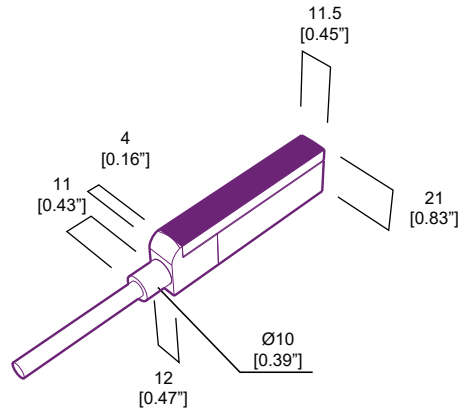
Back Lead

Part# NVS FT BC 68

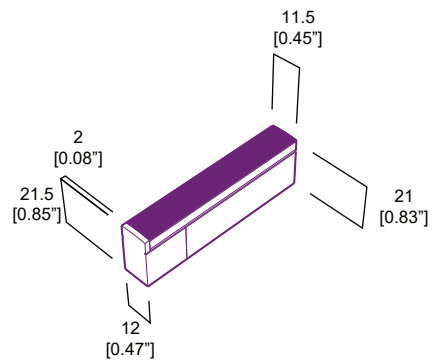


End Lead

Part# NVS FT EC 68

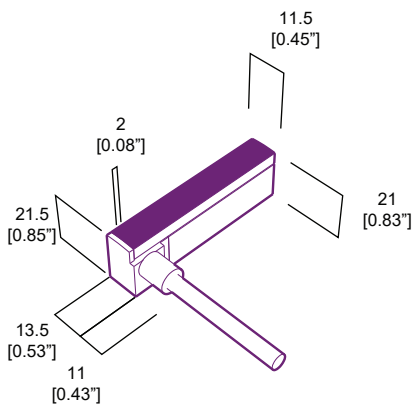


End Cap



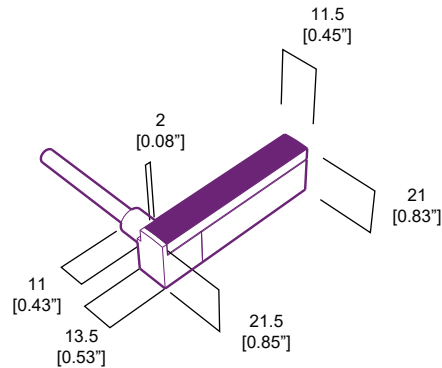
Right Side Lead

Part# NVS FT RC 68



Left Side Lead

Part# NVS FT LC 68



The tolerance of the Lead is ±0.5mm
For more detail, please download the CAD Drawing

PROJECT

CLIENT

TYPE

Solid State Lighting is sensitive to power fluctuations
Surge protection is highly recommended for all LED lighting products and should be on a designated circuit to protect against premature failure
Lack of surge protection may void your warranty

For more information, please download the
BL LIGHTING catalogue

BL LIGHTING. ILLUMINATE EVERYTHING

111 - 8838 Heather St. Vancouver, BC, Canada. V6P 3S8
P: 1-604-874-4405 E: info@blighting.com
Copyright © BL INNOVATIVE LIGHTING. All Rights Reserved.

blighting.com

