

**BL neonVIEW**

Diffused, Flexible, Linear LED Lighting,  
Side Emitting, 24VDC, Constant Voltage

**E-MINI SIDE SI SC HB**

Side Light, Silicone, Single color  
Horizontal Bend

Printed



**Certification**



**Lighting**



Power	* 0.76 W/FT
Beam Angle	120°
Average Life	50,000 Hours
Lumens	* 27-30 lm/FT
Efficacy	* 36-40 lm/W
CRI	80+

**Electrical**

Control	0-10V, MLV, DMX, Bluetooth
Input Voltage	24VDC
Max Input Current	4.12A (White)
Connections	18AWG, Copper Conductors
Operating Temperature	-40°F to 131°F (-40°C to 55°C)
Circuit	Class 2

**Mechanical**

Housing Construction	Injection Moulded White Silicone
Environmental	IP68 (Seamless Injection Molded)
Mounting	Clip, Track

\* Please refer to the performance table on the following page

PROJECT

CLIENT

TYPE

Solid State Lighting is sensitive to power fluctuations  
Surge protection is highly recommended for all LED lighting products and should be on a designated circuit to protect against premature failure  
Lack of surge protection may void your warranty

For more information, please download the  
**BL LIGHTING** catalogue

BL LIGHTING. ILLUMINATE EVERYTHING

111 - 8838 Heather St. Vancouver, BC, Canada. V6P 3S8  
P: 1-604-874-4405 E: info@blighting.com  
Copyright © BL INNOVATIVE LIGHTING. All Rights Reserved.

**blighting.com**



**BL neonVIEW**

Diffused, Flexible, Linear LED Lighting,  
Side Emitting, 24VDC, Constant Voltage

**E-MINI SIDE SI SC HB**

Side Light, Silicone, Single color  
Horizontal Bend

Printed

**Performance**

CCT/Color	Load	Lumens	Efficacy	Max. Length	Cutting Increments
2200K	0.76 W/FT	27 lm/FT	36 lm/W	49 ft 2 in	3-9/32 in (83.3mm)
2700K	0.76 W/FT	30 lm/FT	40 lm/W	49 ft 2 in	3-9/32 in (83.3mm)
3000K	0.76 W/FT	30 lm/FT	40 lm/W	49 ft 2 in	3-9/32 in (83.3mm)
3500K	0.76 W/FT	30 lm/FT	40 lm/W	49 ft 2 in	3-9/32 in (83.3mm)
4000K	0.76 W/FT	30 lm/FT	40 lm/W	49 ft 2 in	3-9/32 in (83.3mm)
5700K	0.76 W/FT	30 lm/FT	40 lm/W	49 ft 2 in	3-9/32 in (83.3mm)

**Ordering**

Product Name

CCT/Color

Lead Orientation

Mounting Accessories

BL neonVIEW E-MN SL SI HB

2200K  
2700K  
3000K  
3500K  
4000K  
5700K

NVS MN SL BC 68 = Back Lead  
NVS MN SL EC 68 = End Lead  
NVS MN SL RC 68 = Right Side Lead  
NVS MN SL LC 68 = Left Side Lead

NVMNSL CPS = Mounting Clip  
NVMNSL CHS = Mounting Channel  
NVMNSL RCPS = Recessed Mounting Clip  
NVMNSL RCHS = Recessed Mounting Channel

PROJECT

CLIENT

TYPE

Solid State Lighting is sensitive to power fluctuations  
Surge protection is highly recommended for all LED lighting products and should be on a designated circuit to protect against premature failure  
Lack of surge protection may void your warranty

For more information, please download the  
**BL LIGHTING** catalogue

BL LIGHTING. ILLUMINATE EVERYTHING

111 - 8838 Heather St. Vancouver, BC, Canada. V6P 3S8  
P: 1-604-874-4405 E: info@blighting.com  
Copyright © BL INNOVATIVE LIGHTING. All Rights Reserved.

**blighting.com**



**BL neonVIEW**

Diffused, Flexible, Linear LED Lighting,  
Side Emitting, 24VDC, Constant Voltage

**E-MINI SIDE SI SC HB**

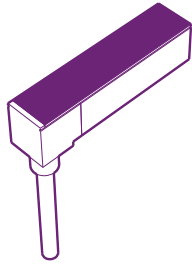
Side Light, Silicone, Single color  
Horizontal Bend

Printed

**Lead Orientation**

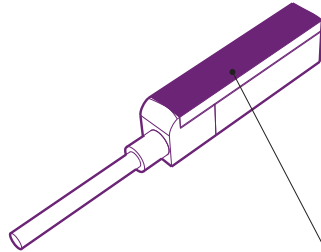
**Back Lead**

Part# NVS MN SL BC 68



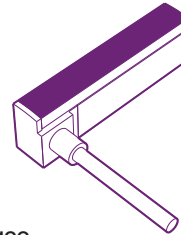
**End Lead**

Part# NVS MN SL EC 68



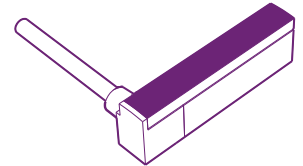
**Right Side Lead**

Part# NVS MN SL RC 68



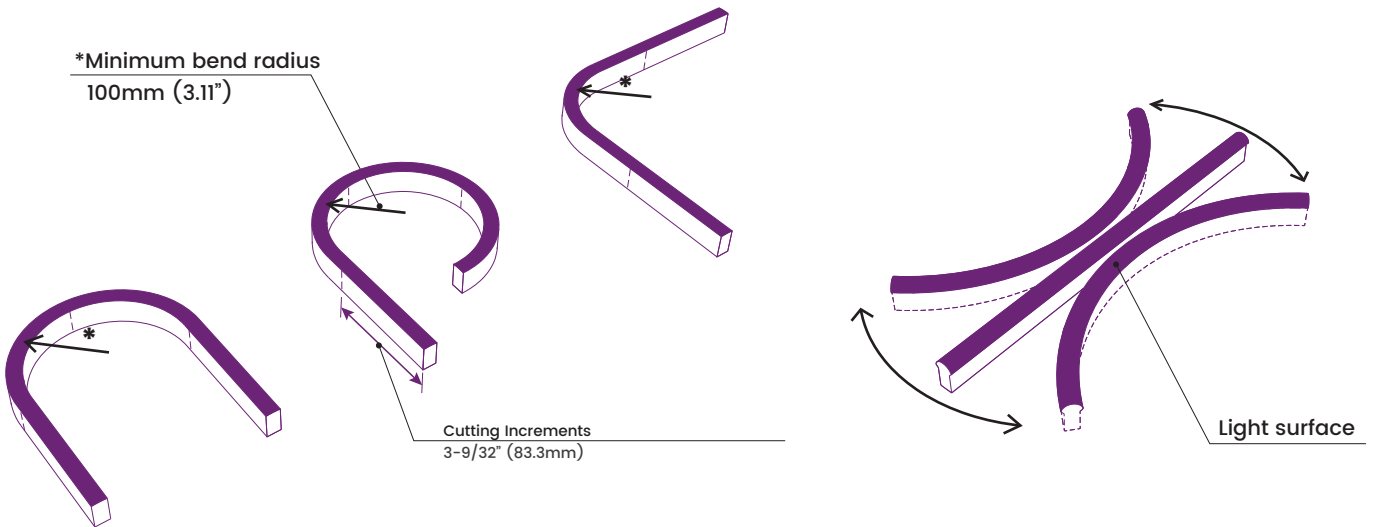
**Left Side Lead**

Part# NVS MN SL LC 68



Light surface

**Minimum Bend Radius and Bend Orientations**



BL neonVIEW MINI SIDE HB Series bends horizontally

PROJECT

CLIENT

TYPE

Solid State Lighting is sensitive to power fluctuations  
Surge protection is highly recommended for all LED lighting products and should be on a designated circuit to protect against premature failure  
Lack of surge protection may void your warranty

For more information, please download the  
BL LIGHTING catalogue

BL LIGHTING. ILLUMINATE EVERYTHING

111 - 8838 Heather St. Vancouver, BC, Canada. V6P 3S8  
P: 1-604-874-4405 E: info@blighting.com  
Copyright © BL INNOVATIVE LIGHTING. All Rights Reserved.

blighting.com



**BL neonVIEW**

Diffused, Flexible, Linear LED Lighting,  
Side Emitting, 24VDC, Constant Voltage

**E-MINI SIDE SI SC HB**

Side Light, Silicone, Single color  
Horizontal Bend

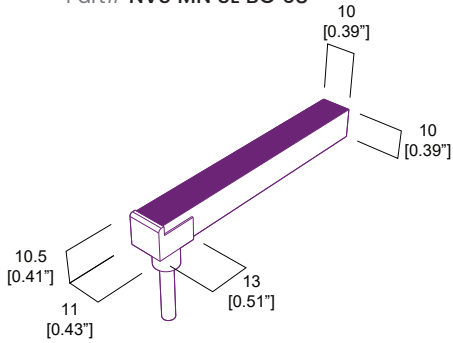
Printed



**Dimensions**

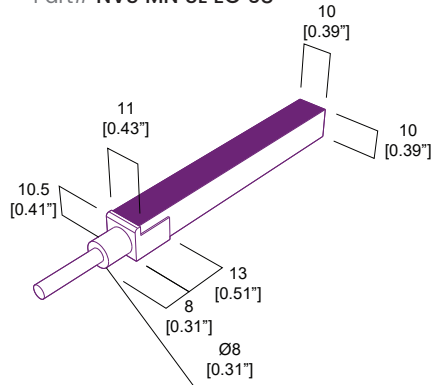
**Back Lead**

Part# NVS MN SL BC 68

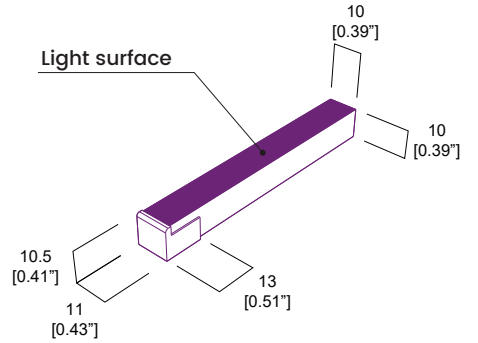


**End Lead**

Part# NVS MN SL EC 68

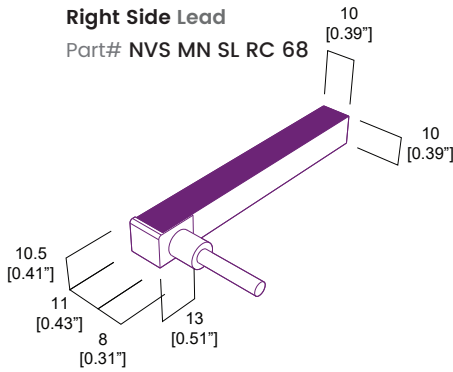


**End Cap**



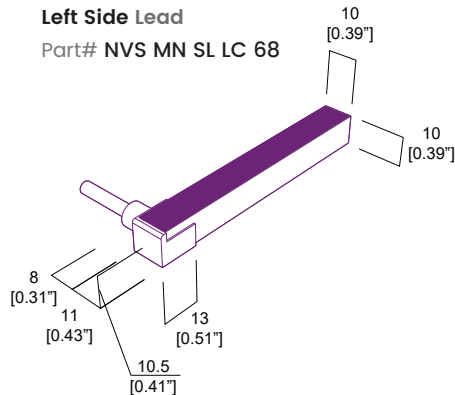
**Right Side Lead**

Part# NVS MN SL RC 68



**Left Side Lead**

Part# NVS MN SL LC 68



The tolerance of the Lead is  $\pm 0.5\text{mm}$   
For more detail, please download the CAD Drawing

PROJECT

CLIENT

TYPE

Solid State Lighting is sensitive to power fluctuations  
Surge protection is highly recommended for all LED lighting products and should be on a designated circuit to protect against premature failure  
Lack of surge protection may void your warranty

For more information, please download the  
**BL LIGHTING** catalogue

BL LIGHTING. ILLUMINATE EVERYTHING

111 - 8838 Heather St. Vancouver, BC, Canada. V6P 3S8  
P: 1-604-874-4405 E: info@blighting.com  
Copyright © BL INNOVATIVE LIGHTING. All Rights Reserved.

**blighting.com**

