

BL neonVIEW DIM-TO-WARM FLAT SI

Diffused, Flexible, Linear LED Lighting,
24VDC, Constant Voltage
Flat Profile, Silicone, Dim-to-Warm

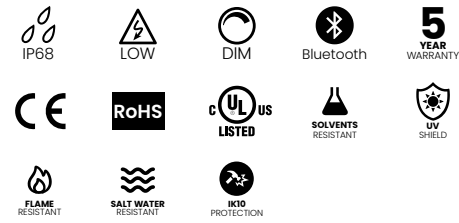


BL neonVIEW DIM-TO-WARM FLAT SI replicates the natural, comfortable glow of incandescent dimming, with an efficient 1800K to 3000K CCT that warms when dimmed, has a standard fully flexible Silicone encapsulated diffuser, and is rated for a range of operating temperatures from -40° F to 131° F (-40° C to 55° C) for sustained ability to weather the elements, even in the most extreme environmental conditions.

CLIENT	
PROJECT NAME	
LOCATION	
DATE	

Dot-free | **Seamless connections** | **-40°F to 131°F (-40°C to 55°C)** | **DIM-TO-WARM**

Product Detail



Lighting	Lamp	LED, SMD 5050
	LED's Per Foot	44 LEDs/ft (144 LEDs/m)
	Beam Angle	120°
	Average Life	50,000 Hours
Electrical	Controls	0-10V, MLV, ELV, Phase-Cut, Triac, DMX, Bluetooth
	Input Voltage	24VDC
	Max Input Current	4.12A (White)
	Connections	18AWG, Copper Conductors
	Power Cable Length	Standard 10ft (3m). Also available in 16ft (5m) and 32ft (10m)
Mechanical	Circuit	Class 2
	Housing Construction	Injection Moulded White Silicone
	Minimum Bend Radius	2.25" (60mm)
	Operating Temperature	-40°F to 131°F (-40°C to 55°C)
Environmental	Ingress Protection	IP68
	Impact Protection	IK10
	Vibration Rating	-
	Resistance	UV, Flame, Solvents and Saltwater Resistant
	Certifications	cULus, CE, RoHS Compliant

Performance

CCT/Color		1800K	3000K	1800K + 3000K
Power	W/FT (W/m)	-	-	3.66 (12)
Dimming	%	5	100	-
Lumens	lm/FT (lm/m)	1 (3)	104 (341)	-
Efficacy	lm/W	<1	28	-
CRI	CRI	80	90	80+
Increment	inch (mm)	3.28 (83.3)		
Max. Length	ft (m)	24ft 6in (7.5m)		

Ordering

Product Code	CCT	Lead Orientation	Mounting Accessories*
BL neonVIEW DTW FT SI	1800K-3000K	NVS FT BC 68 = Back Lead	NV CPS = Mounting Clip
		NVS FT EC 68 = End Lead	NV CHS = Mounting Channel
		NVS FT RC 68 = Right Side Lead	NV RCPS = Recessed Mounting Clip
		NVS FT LC 68 = Left Side Lead	NV RCHS = Recessed Mounting Channel
			NV FCHS AL = Flexible Mounting Channel

* Stainless steel and composite mounting options are also available.

BL LIGHTING ILLUMINATE EVERYTHING

111 - 8838 Heather St. Vancouver, BC, Canada. V6P 3S8
P: 1-604-874-4405 E: info@bllighting.com
Copyright © BL INNOVATIVE LIGHTING. All Rights Reserved.

Solid State Lighting is sensitive to power fluctuations. Surge protection is highly recommended for all LED lighting products and should be on a dedicated circuit to protect against premature failure. Lack of surge protection may void your warranty.

Designed & Assembled in North America.

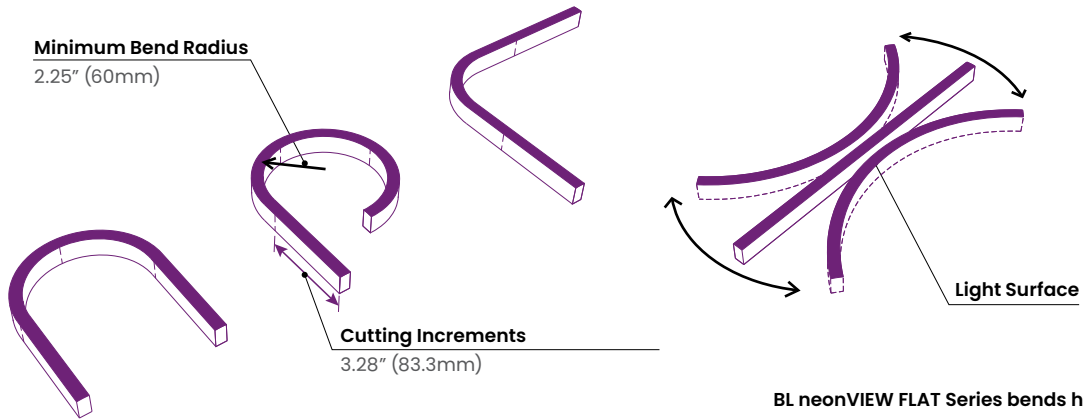
Specifications subject to change without notice. Please refer to our website at bllighting.com for current technical data.

For more information, please download the BL LIGHTING catalog

bllighting.com



Minimum Bend Radius and Bend Orientation



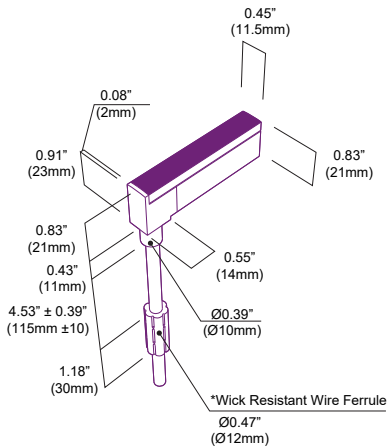
BL neonVIEW FLAT Series bends horizontally

Vertical bend option available on BL neonVIEW SIDE Series

Dimensions & Lead Orientations

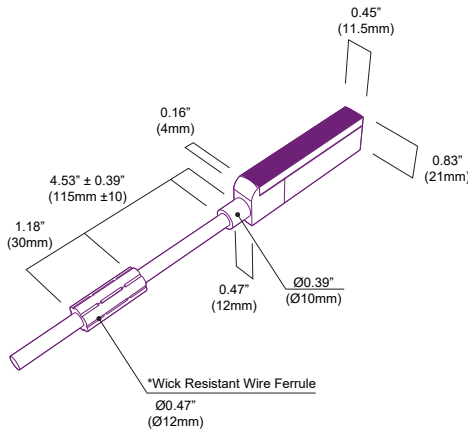
Back Lead

NVS FT BC 68

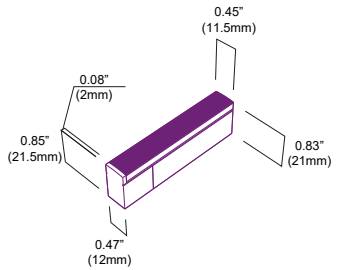


End Lead

NVS FT EC 68

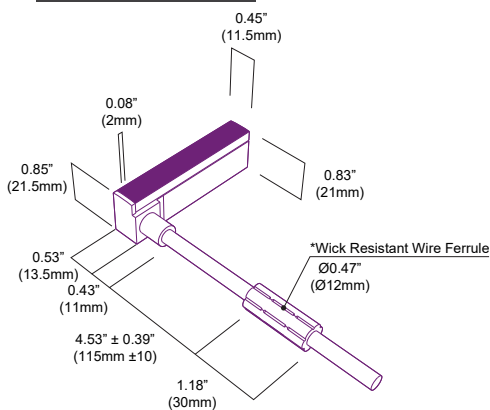


End Cap



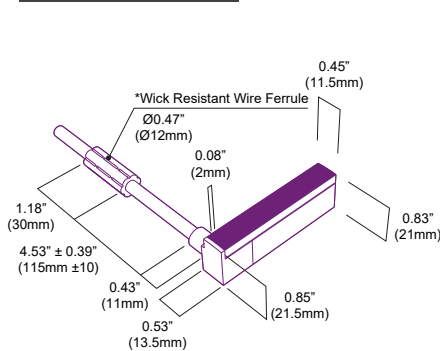
Right Side Lead

NVS FT RC 68



Left Side Lead

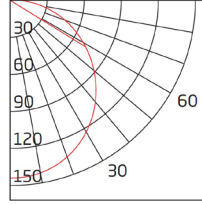
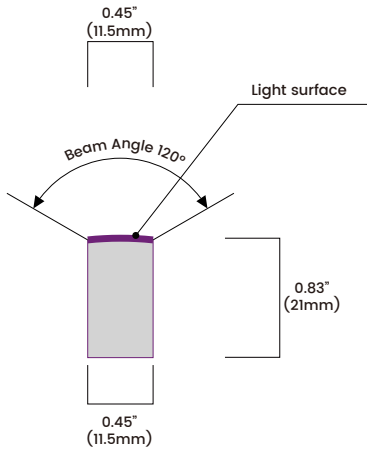
NVS FT LC 68



*The Wick Resistant Wire Ferrule is built into the lead wire, 4.5" (115mm) from the BL neonVIEW Termination Connection, for additional moisture ingress protection. Removal of the Wick Resistant Wire Ferrule may void your warranty.



Beam Angle



Unit: cd
— C90/270

Average Beam Angle (50%): 111.4°

