

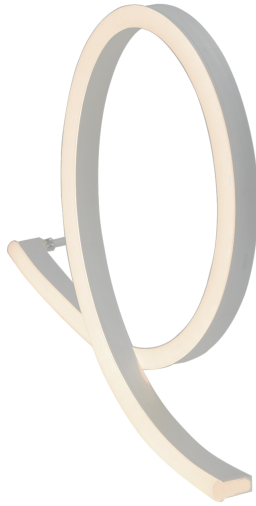
**BL neonVIEW**

Diffused, Flexible, Linear LED Lighting, 24VDC, Constant Voltage

**DOME SI SC**

Dome Profile, Silicone, Single Color

Printed



**Certification**



**Lighting**



Lamp	* LED, SMD 5050
LED's Per Foot	21 LEDs/ft (72 LEDs/m)
Power	* 2.44-3.66 W/FT
Beam Angle	160°
Average Life	50,000 Hours
Lumens	* 28-137lm/FT
Efficacy	* 8-37 lm/W

**Electrical**

Control	0-10V, MLV, ELV, Phase-Cut, Triac, DMX, Bluetooth
Input Voltage	24VDC
Max Input Current	4.12A (White)
Connections	18AWG, Copper Conductors
Operating Temperature	-40°F to 131°F (-40°C to 55°C)
Circuit	Class 2

**Mechanical**

Housing Construction	Injection Moulded White Silicone
Cutting Increments	* 3-9/32" (83.3mm) : White CCTs/Green/Blue * 4-59/64" (125mm) : Red/Amber
Medial Bend Radius	60mm (2-1/4")
Environmental	IP68 (Seamless Injection Molded)
Mounting	Clip, Track

\* Please refer to the performance table on the following page

PROJECT

CLIENT

TYPE

Solid State Lighting is sensitive to power fluctuations  
Surge protection is highly recommended for all LED lighting products and should be on a designated circuit to protect against premature failure  
Lack of surge protection may void your warranty

For more information, please download the  
**BL LIGHTING** catalogue

BL LIGHTING. ILLUMINATE EVERYTHING

111 - 8838 Heather St. Vancouver, BC, Canada. V6P 3S8  
P: 1-604-874-4405 E: info@blighting.com  
Copyright © BL INNOVATIVE LIGHTING. All Rights Reserved.

[blighting.com](http://blighting.com)



**BL neonVIEW**

Diffused, Flexible, Linear LED Lighting, 24VDC, Constant Voltage

**DOME SI SC**

Dome Profile, Silicone, Single Color

Printed

**Performance**

CCT/Color	Load	Lumens	Efficacy	Max. Length	Cutting Increments
2200K	3.66 W/FT	104 lm/FT	29 lm/W	24 ft 11 in	3-9/32 in (83.3mm)
2700K	3.66 W/FT	133 lm/FT	36 lm/W	24 ft 11 in	3-9/32 in (83.3mm)
3000K	3.66 W/FT	129 lm/FT	35 lm/W	24 ft 11 in	3-9/32 in (83.3mm)
3500K	3.66 W/FT	133 lm/FT	36 lm/W	24 ft 11 in	3-9/32 in (83.3mm)
4000K	3.66 W/FT	137 lm/FT	37 lm/W	24 ft 11 in	3-9/32 in (83.3mm)
5700K	3.66 W/FT	130 lm/FT	35 lm/W	24 ft 11 in	3-9/32 in (83.3mm)
Red	2.45 W/FT	52 lm/FT	21 lm/W	35 ft 11 in	4-59/64 in (125mm)
Green	3.66 W/FT	132 lm/FT	36 lm/W	24 ft 11 in	3-9/32 in (83.3mm)
Blue	3.66 W/FT	28 lm/FT	8 lm/W	24 ft 11 in	3-9/32 in (83.3mm)
Amber	2.44 W/FT	52 lm/FT	21 lm/W	35 ft 11 in	4-59/64 in (125mm)

**Ordering**

Product Name

CCT/Color

Lead Orientation

Mounting Accessories

BL neonVIEW DM SI




2200K  
2700K  
3000K  
3500K  
4000K  
5700K  
Red  
Green  
Blue  
Amber

NVS DM BC 68 = Back  
NVS DM EC 68 = End  
NVS DM RC 68 = Right Side  
NVS DM LC 68 = Left Side

NV CPS = Mounting Clip  
NV CHS = Mounting Channel  
NV RCPS = Recessed Mounting Clip  
NV RCHS = Recessed Mounting Channel  
NV FCHS AL = Flexible Mounting Channel

PROJECT

CLIENT

TYPE

Solid State Lighting is sensitive to power fluctuations  
Surge protection is highly recommended for all LED lighting products and should be on a designated circuit to protect against premature failure  
Lack of surge protection may void your warranty

For more information, please download the  
**BL LIGHTING** catalogue

BL LIGHTING. ILLUMINATE EVERYTHING

111 - 8838 Heather St. Vancouver, BC, Canada. V6P 3S8  
P: 1-604-874-4405 E: info@blighting.com  
Copyright © BL INNOVATIVE LIGHTING. All Rights Reserved.

**blighting.com**



**BL neonVIEW**

Diffused, Flexible, Linear LED Lighting, 24VDC, Constant Voltage

**DOME SI SC**

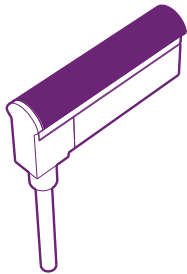
Dome Profile, Silicone, Single Color

Printed

**Lead Orientation**

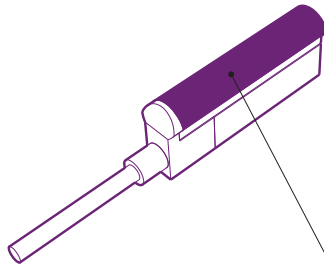
**Back Lead**

Part# NVS DM BC 68



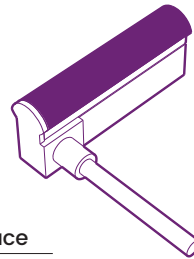
**End Lead**

Part# NVS DM EC 68



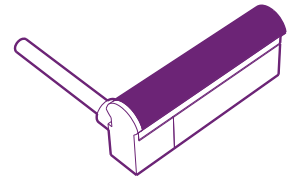
**Right Side Lead**

Part# NVS DM RC 68

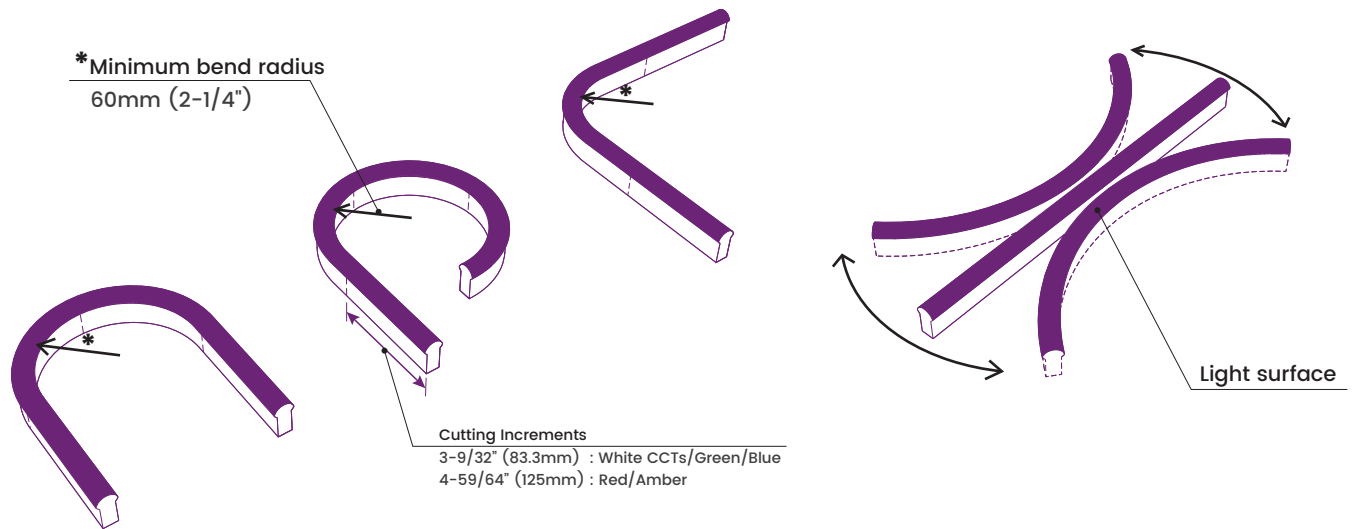


**Left Side Lead**

Part# NVS DM LC 68



**Minimum Bend Radius and Bend Orientations**



**BL neonVIEW DOME Series bends horizontally**  
Vertical bend option available on  
BL neonVIEW SIDE Series

PROJECT

CLIENT

TYPE

Solid State Lighting is sensitive to power fluctuations  
Surge protection is highly recommended for all LED lighting products and should be on a designated circuit to protect against premature failure  
Lack of surge protection may void your warranty

For more information, please download the  
**BL LIGHTING** catalogue

BL LIGHTING. ILLUMINATE EVERYTHING

111 - 8838 Heather St. Vancouver, BC, Canada. V6P 3S8  
P: 1-604-874-4405 E: info@bllighting.com  
Copyright © BL INNOVATIVE LIGHTING. All Rights Reserved.

[bllighting.com](http://bllighting.com)



**BL neonVIEW**

Diffused, Flexible, Linear LED Lighting, 24VDC, Constant Voltage

**DOME SI SC**

Dome Profile, Silicone, Single Color

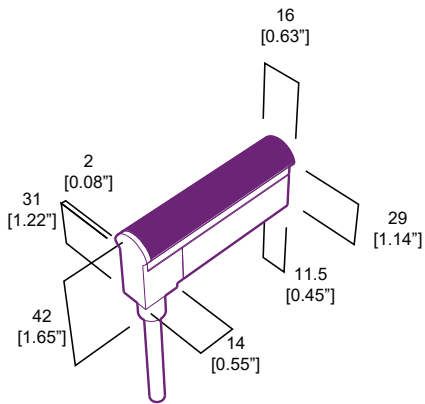
Printed



**Dimensions**

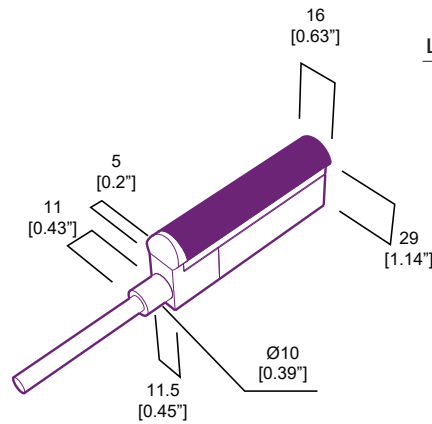
**Back Lead**

Part# NVS DM BC 68

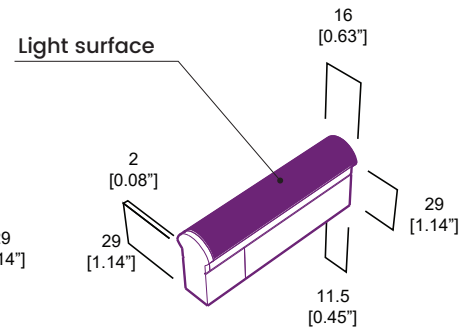


**End Lead**

Part# NVS DM EC 68

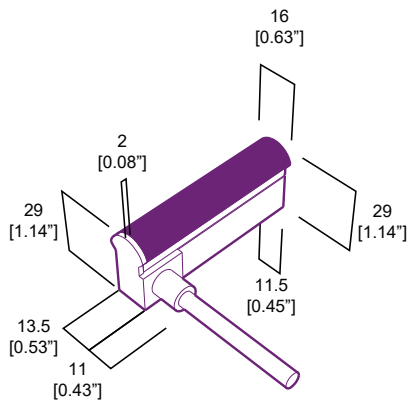


**End Cap**



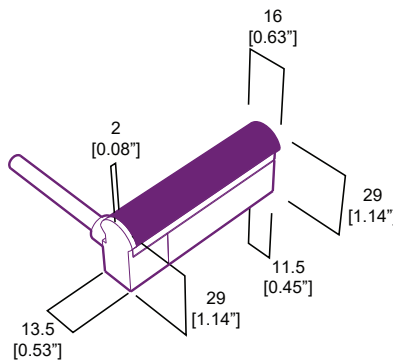
**Right Side Lead**

Part# NVS DM RC 68



**Left Side Lead**

Part# NVS DM LC 68



The tolerance of the Lead is  $\pm 0.5\text{mm}$   
For more detail, please download the CAD Drawing

PROJECT

CLIENT

TYPE

Solid State Lighting is sensitive to power fluctuations  
Surge protection is highly recommended for all LED lighting products and should be on a designated circuit to protect against premature failure  
Lack of surge protection may void your warranty

For more information, please download the  
**BL LIGHTING** catalogue

BL LIGHTING. ILLUMINATE EVERYTHING

111 - 8838 Heather St. Vancouver, BC, Canada. V6P 3S8  
P: 1-604-874-4405 E: info@blighting.com  
Copyright © BL INNOVATIVE LIGHTING. All Rights Reserved.

[blighting.com](http://blighting.com)

