

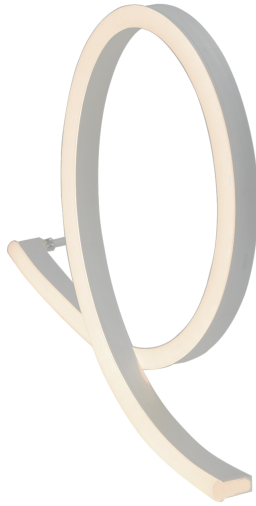
BL neonVIEW

Diffused, Flexible, Linear LED Lighting, 24VDC, Constant Voltage

DOME SI RGBW

Dome Profile, Silicone, Color Changing

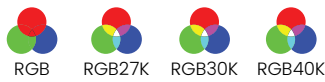
Printed



Certification



Lighting



Lamp	LED, SMD 5050
LED's Per Foot	18 Diodes/FT (60 Diodes/m)
Power	* 3.66-4.57 W/FT
Beam Angle	160°
Average Life	50,000 Hours
Lumens	* 86-140 lm/FT
Efficacy	* 24-31 lm/W

Electrical

Control	DMX, Bluetooth
Input Voltage	24VDC
Max Input Current	4.12A (White)
Connections	20AWG, Copper Conductors
Operating Temperature	-40°F to 131°F (-40°C to 55°C)
Circuit	Class 2

Mechanical

Housing Construction	Injection Moulded White Silicone
Medial Bend Radius	60mm (2-1/4")
Environmental	IP68 (Seamless Injection Molded)
Mounting	Clip, Track

* Please refer to the performance table on the following page

PROJECT

CLIENT

TYPE

Solid State Lighting is sensitive to power fluctuations
Surge protection is highly recommended for all LED lighting products and should be on a designated circuit to protect against premature failure
Lack of surge protection may void your warranty

For more information, please download the **BL LIGHTING** catalogue

BL LIGHTING. ILLUMINATE EVERYTHING

111 - 8838 Heather St. Vancouver, BC, Canada. V6P 3S8
P: 1-604-874-4405 E: info@blighting.com
Copyright © BL INNOVATIVE LIGHTING. All Rights Reserved.

blighting.com



BL neonVIEW

Diffused, Flexible, Linear LED Lighting, 24VDC, Constant Voltage

DOME SI RGBW

Dome Profile, Silicone, Color Changing

Printed

Performance

CCT/Color	Load	Lumens	Efficacy	Max. Length	Cutting Increments
RGB	3.66 W/FT	86 lm/FT	24 lm/W	24 ft 11 in	3-15/16 in (100mm)
RGB27K	4.57 W/FT	135 lm/FT	29 lm/W	20 ft 0 in	3-15/16 in (100mm)
RGB30K	4.57 W/FT	137 lm/FT	30 lm/W	20 ft 0 in	3-15/16 in (100mm)
RGB40K	4.57 W/FT	140 lm/FT	31 lm/W	20 ft 0 in	3-15/16 in (100mm)

Ordering

Product Name

CCT/Color

Lead Orientation

Mounting Accessories

BL neonVIEW DM SI

RGB
RGBW (2700K)
RGBW (3000K)
RGBW (4000K)

NVS RGBW DM BC 68 = Back
NVS RGBW DM EC 68 = End
NVS RGBW DM RC 68 = Right Side
NVS RGBW DM LC 68 = Left Side

NV CPS = Mounting Clip
NV CHS = Mounting Channel
NV RCPS = Recessed Mounting Clip
NV RCHS = Recessed Mounting Channel
NV FCHS AL = Flexible Mounting Channel

PROJECT

CLIENT

TYPE

Solid State Lighting is sensitive to power fluctuations
Surge protection is highly recommended for all LED lighting products and should be on a designated circuit to protect against premature failure
Lack of surge protection may void your warranty

For more information, please download the
BL LIGHTING catalogue

BL LIGHTING. ILLUMINATE EVERYTHING

111 - 8838 Heather St. Vancouver, BC, Canada. V6P 3S8
P: 1-604-874-4405 E: info@blighting.com
Copyright © BL INNOVATIVE LIGHTING. All Rights Reserved.

blighting.com



BL neonVIEW

Diffused, Flexible, Linear LED Lighting, 24VDC, Constant Voltage

DOME SI RGBW

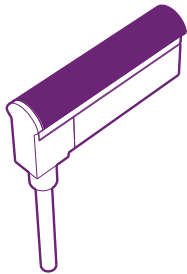
Dome Profile, Silicone, Color Changing

Printed

Lead Orientation

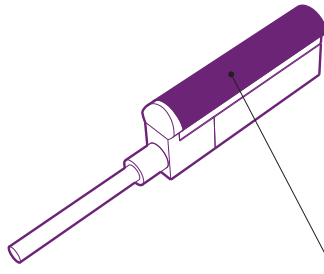
Back Lead

Part# NVS RGBW DM BC 68



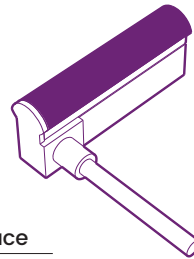
End Lead

Part# NVS RGBW DM EC 68



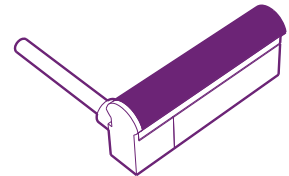
Right Side Lead

Part# NVS RGBW DM RC 68

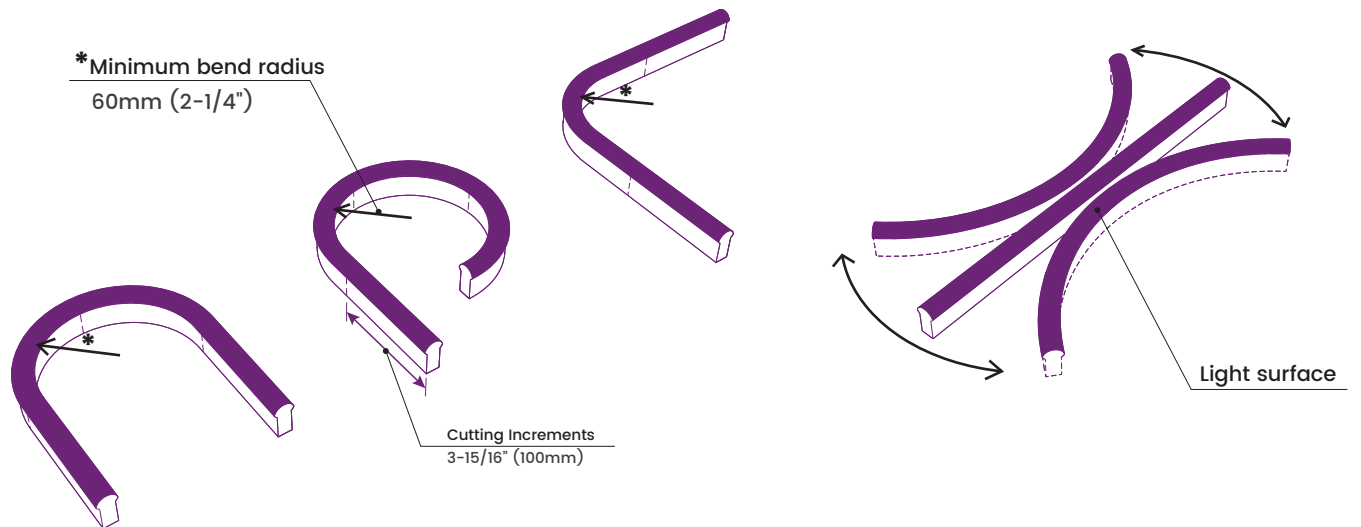


Left Side Lead

Part# NVS RGBW DM LC 68



Minimum Bend Radius and Bend Orientations



BL neonVIEW DOME Series bends horizontally
Vertical bend option available on
BL neonVIEW SIDE Series

PROJECT

CLIENT

TYPE

Solid State Lighting is sensitive to power fluctuations
Surge protection is highly recommended for all LED lighting products and should be on a designated circuit to protect against premature failure
Lack of surge protection may void your warranty

For more information, please download the
BL LIGHTING catalogue

BL LIGHTING. ILLUMINATE EVERYTHING

111 - 8838 Heather St. Vancouver, BC, Canada. V6P 3S8
P: 1-604-874-4405 E: info@blighting.com
Copyright © BL INNOVATIVE LIGHTING. All Rights Reserved.

blighting.com



BL neonVIEW

Diffused, Flexible, Linear LED Lighting, 24VDC, Constant Voltage

DOME SI RGBW

Dome Profile, Silicone, Color Changing

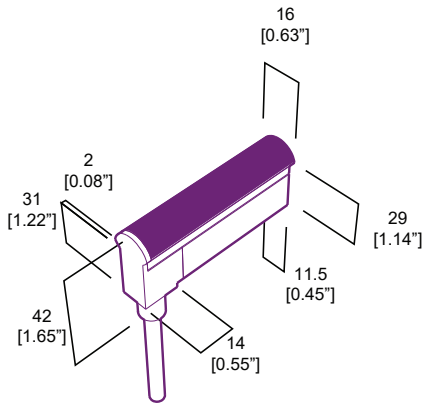
Printed



Dimensions

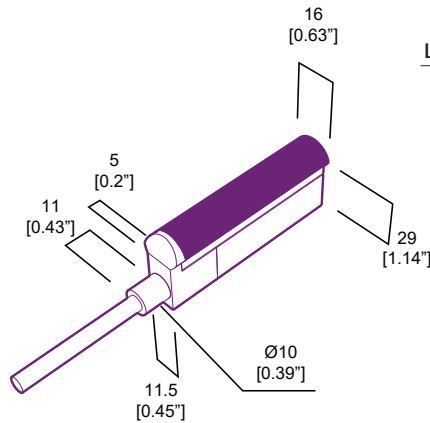
Back Lead

Part# NVS RGBW DM BC 68

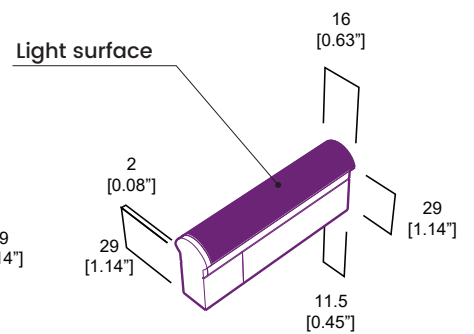


End Lead

Part# NVS RGBW DM EC 68

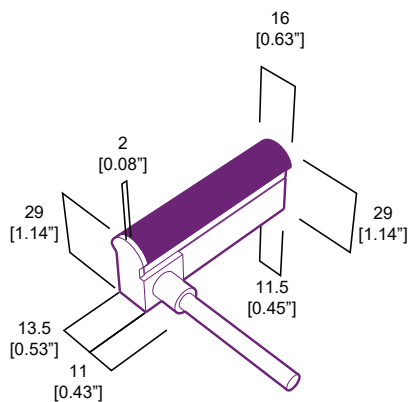


End Cap



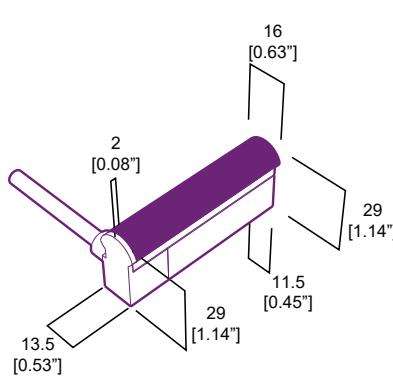
Right Side Lead

Part# NVS RGBW DM RC 68



Left Side Lead

Part# NVS RGBW DM LC 68



The tolerance of the Lead is ±0.5mm
For more detail, please download the CAD Drawing

PROJECT

CLIENT

TYPE

Solid State Lighting is sensitive to power fluctuations
Surge protection is highly recommended for all LED lighting products and should be on a designated circuit to protect against premature failure
Lack of surge protection may void your warranty

For more information, please download the
BL LIGHTING catalogue

