

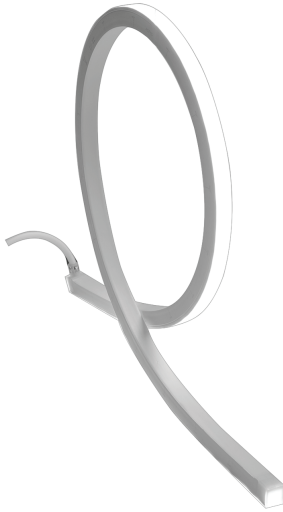
BL neonVIEW

Diffused, Flexible, Linear LED Lighting,
24VDC, Constant Voltage

BRIGHT SIDE SI SC L5

High Output Side Light, Silicone,
Vertical Bend, Single Color

Printed



Certification



Lighting



Lamp	LED, SMD 5050
LED's Per Foot	44 LEDs/ft (144 LEDs/m)
Power	* 5.03 W/FT
Beam Angle	120°
Average Life	50,000 Hours
Lumens	* 457-549 lm/FT
Efficacy	* 91-109 lm/W

Electrical

Control	0-10V, MLV, ELV, Bluetooth
Input Voltage	24VDC
Max Input Current	4.12A (White)
Connections	18AWG, Copper Conductors
Operating Temperature	-40°F to 113°F (-40°C to 45°C)
Circuit	Class 2

Mechanical

Housing Construction	Injection Moulded White Silicone
Environmental	IP68 (Seamless Injection)
Mounting	Clip, Track

* Please refer to the performance table on the following page

PROJECT

CLIENT

TYPE

Solid State Lighting is sensitive to power fluctuations
Surge protection is highly recommended for all LED lighting products and should be on a designated circuit to protect against premature failure
Lack of surge protection may void your warranty

For more information, please download the
BL LIGHTING catalogue

BL LIGHTING. ILLUMINATE EVERYTHING

111 - 8838 Heather St. Vancouver, BC, Canada. V6P 3S8
P: 1-604-874-4405 E: info@blighting.com
Copyright © BL INNOVATIVE LIGHTING. All Rights Reserved.

blighting.com



BL neonVIEW

Diffused, Flexible, Linear LED Lighting,
24VDC, Constant Voltage

BRIGHT SIDE SI SC L5

High Output Side Light, Silicone,
Vertical Bend, Single Color

Printed

Performance

CCT	Load	Lumens	Efficacy	Max. Length	Cutting Increments
2200K	5.03 W/FT	457 lm/FT	91 lm/W	18 ft 0 in	2.19 in (55.6mm)
2700K	5.03 W/FT	549 lm/FT	109 lm/W	18 ft 0 in	2.19 in (55.6mm)
3000K	5.03 W/FT	549 lm/FT	109 lm/W	18 ft 0 in	2.19 in (55.6mm)
3500K	5.03 W/FT	549 lm/FT	109 lm/W	18 ft 0 in	2.19 in (55.6mm)
4000K	5.03 W/FT	549 lm/FT	109 lm/W	18 ft 0 in	2.19 in (55.6mm)
5700K	5.03 W/FT	549 lm/FT	109 lm/W	18 ft 0 in	2.19 in (55.6mm)

Ordering

Product Name	CCT	Lead Orientation	Mounting Accessories
BL neonVIEW BR SL SI L5 VB	<input type="text"/>	<input type="text"/>	<input type="text"/>
	2200K 2700K 3000K 3500K 4000K 5700K	NVS BRSL BC 68 = Back Lead NVS BRSL EC 68 = End Lead NVS BRSL RC 68 = Right Side Lead NVS BRSL LC 68 = Left Side Lead	NVBRSL VB CPS = Mounting Clip NVBRSL VB CHS = Mounting Channel NVBRSL VB RCPS = Recessed Mounting Clip NVBRSL VB RCHS = Recessed Mounting Channel

PROJECT CLIENT TYPE

Solid State Lighting is sensitive to power fluctuations
Surge protection is highly recommended for all LED lighting products and should be on a designated circuit to protect against premature failure
Lack of surge protection may void your warranty

For more information, please download the
BL LIGHTING catalogue



BL neonVIEW

Diffused, Flexible, Linear LED Lighting,
24VDC, Constant Voltage

BRIGHT SIDE SI SC L5

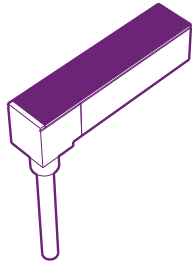
High Output Side Light, Silicone,
Vertical Bend, Single Color

Printed

Lead Orientation

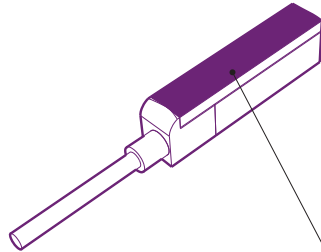
Back Lead

Part# NVS BRSL BC 68



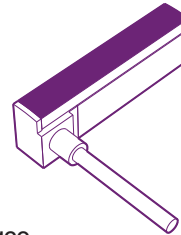
End Lead

Part# NVS BRSL EC 68



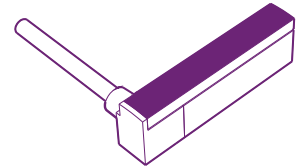
Right Side Lead

Part# NVS BRSL RC 68

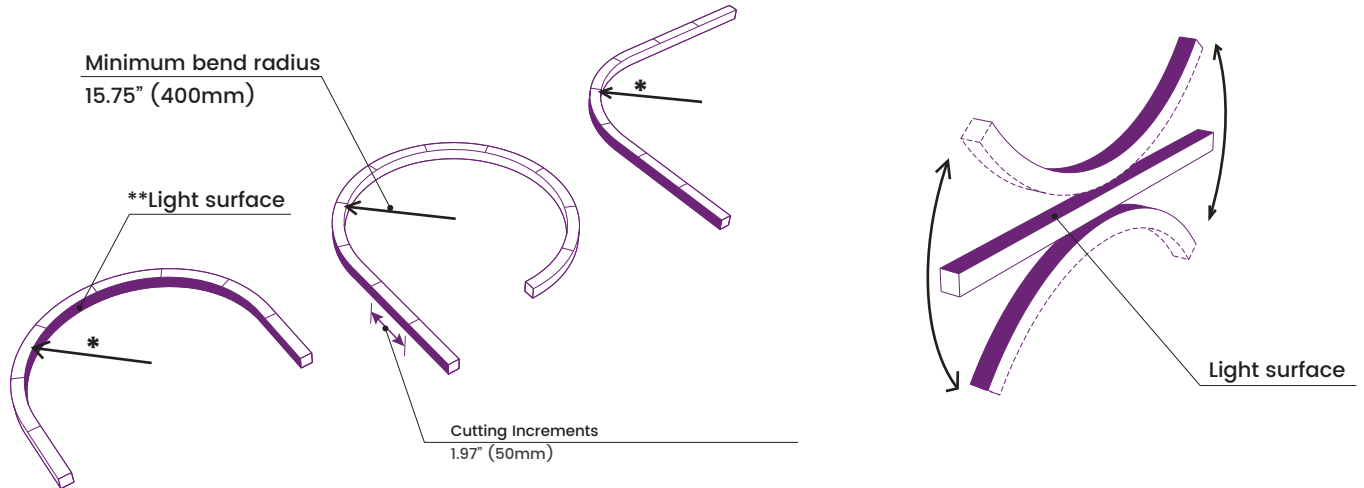


Left Side Lead

Part# NVS BRSL LC 68



Minimum Bend Radius and Bend Orientations



**Light surface could be inside or outside.

BL neonVIEW BRIGHT SIDE Series bends vertically

PROJECT

CLIENT

TYPE

Solid State Lighting is sensitive to power fluctuations
Surge protection is highly recommended for all LED lighting products and should be on a designated circuit to protect against premature failure
Lack of surge protection may void your warranty

For more information, please download the
BL LIGHTING catalogue

BL LIGHTING. ILLUMINATE EVERYTHING

111 - 8838 Heather St. Vancouver, BC, Canada. V6P 3S8
P: 1-604-874-4405 E: info@blighting.com
Copyright © BL INNOVATIVE LIGHTING. All Rights Reserved.

blighting.com



BL neonVIEW

Diffused, Flexible, Linear LED Lighting,
24VDC, Constant Voltage

BRIGHT SIDE SI SC L5

High Output Side Light, Silicone,
Vertical Bend, Single Color

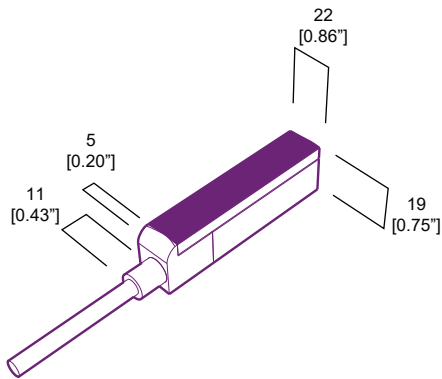
Printed



Dimensions

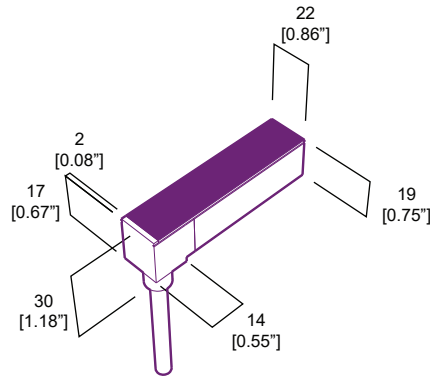
End Lead

Part# NVS BRSL EC 68

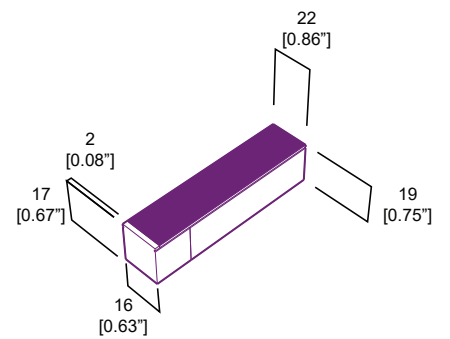


Back Lead

Part# NVS BRSL BC 68

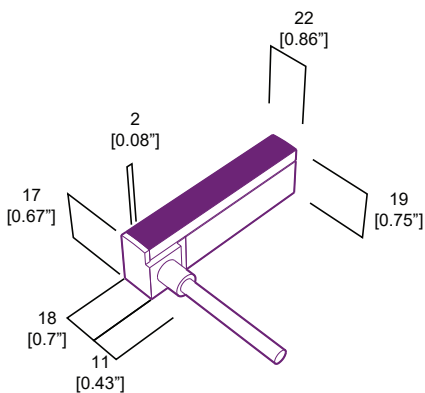


End Cap



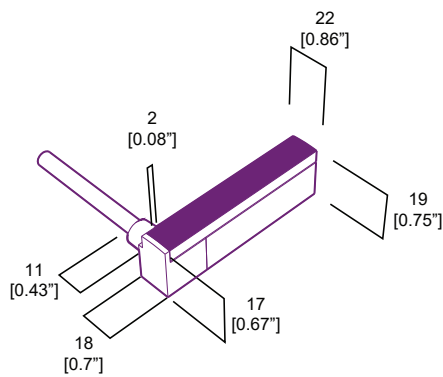
Right Side Lead

Part# NVS BRSL RC 68



Left Side Lead

Part# NVS BRSL LC 68



The tolerance of the Lead is $\pm 0.5\text{mm}$
For more detail, please download the CAD Drawing

PROJECT

CLIENT

TYPE

Solid State Lighting is sensitive to power fluctuations
Surge protection is highly recommended for all LED lighting products and should be on a designated circuit to protect against premature failure
Lack of surge protection may void your warranty

For more information, please download the
BL LIGHTING catalogue

BL LIGHTING. ILLUMINATE EVERYTHING

111 - 8838 Heather St. Vancouver, BC, Canada. V6P 3S8
P: 1-604-874-4405 E: info@blighting.com
Copyright © BL INNOVATIVE LIGHTING. All Rights Reserved.

blighting.com

