

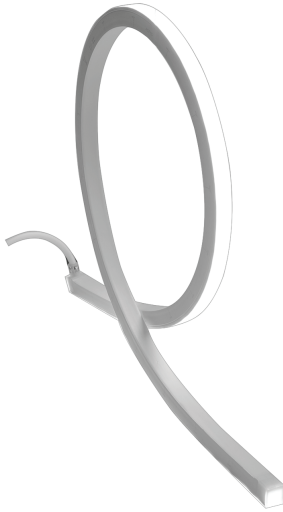
**BL neonVIEW**

Diffused, Flexible, Linear LED Lighting,  
24VDC, Constant Voltage

**BRIGHT SIDE SI SC L5 HB**

High Output Side Light, Silicone,  
Horizontal Bend, Single Color

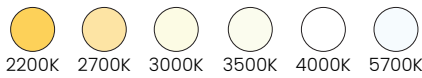
Printed



**Certification**



**Lighting**



Lamp	LED, SMD 5050
LED's Per Foot	44 LEDs/ft (144 LEDs/m)
Power	* 5.03 W/FT
Beam Angle	120°
Average Life	50,000 Hours
Lumens	* 366-457 lm/FT
Efficacy	* 73-91 lm/W

**Electrical**

Control	0-10V, MLV, ELV, Bluetooth
Input Voltage	24VDC
Max Input Current	4.12A (White)
Connections	18AWG, Copper Conductors
Operating Temperature	-40°F to 113°F (-40°C to 45°C)
Circuit	Class 2

**Mechanical**

Housing Construction	Injection Moulded White Silicone
Environmental	IP68 (Seamless Injection)
Mounting	Clip, Track

\* Please refer to the performance table on the following page

PROJECT

CLIENT

TYPE

Solid State Lighting is sensitive to power fluctuations  
Surge protection is highly recommended for all LED lighting products and should be on a designated circuit to protect against premature failure  
Lack of surge protection may void your warranty

For more information, please download the  
**BL LIGHTING** catalogue

BL LIGHTING. ILLUMINATE EVERYTHING

111 - 8838 Heather St. Vancouver, BC, Canada. V6P 3S8  
P: 1-604-874-4405 E: info@blighting.com  
Copyright © BL INNOVATIVE LIGHTING. All Rights Reserved.

[blighting.com](http://blighting.com)



**BL neonVIEW**

Diffused, Flexible, Linear LED Lighting,  
24VDC, Constant Voltage

**BRIGHT SIDE SI SC L5 HB**

High Output Side Light, Silicone,  
Horizontal Bend, Single Color

Printed

**Performance**

CCT	Load	Lumens	Efficacy	Max. Length	Cutting Increments
2200K	5.03 W/FT	366 lm/FT	73 lm/W	18 ft 0 in	2.19 in (55.6mm)
2700K	5.03 W/FT	457 lm/FT	91 lm/W	18 ft 0 in	2.19 in (55.6mm)
3000K	5.03 W/FT	457 lm/FT	91 lm/W	18 ft 0 in	2.19 in (55.6mm)
3500K	5.03 W/FT	457 lm/FT	91 lm/W	18 ft 0 in	2.19 in (55.6mm)
4000K	5.03 W/FT	457 lm/FT	91 lm/W	18 ft 0 in	2.19 in (55.6mm)
5700K	5.03 W/FT	457 lm/FT	91 lm/W	18 ft 0 in	2.19 in (55.6mm)

**Ordering**

Product Name

CCT

Lead Orientation

Mounting Accessories

BL neonVIEW BR SL SI L5 HB




2200K  
2700K  
3000K  
3500K  
4000K  
5700K

NVS BRSL BC 68 = Back Lead  
NVS BRSL EC 68 = End Lead  
NVS BRSL RC 68 = Right Side Lead  
NVS BRSL LC 68 = Left Side Lead

NVBRSL HB CPS = Mounting Clip  
NVBRSL HB CHS = Mounting Channel  
NVBRSL HB RCPS = Recessed Mounting Clip  
NVBRSL HB RCHS = Recessed Mounting Channel

PROJECT

CLIENT

TYPE

Solid State Lighting is sensitive to power fluctuations  
Surge protection is highly recommended for all LED lighting products and should be on a designated circuit to protect against premature failure  
Lack of surge protection may void your warranty

For more information, please download the  
**BL LIGHTING** catalogue

BL LIGHTING. ILLUMINATE EVERYTHING

111 - 8838 Heather St. Vancouver, BC, Canada. V6P 3S8  
P: 1-604-874-4405 E: info@blighting.com  
Copyright © BL INNOVATIVE LIGHTING. All Rights Reserved.

**blighting.com**



**BL neonVIEW**

Diffused, Flexible, Linear LED Lighting,  
24VDC, Constant Voltage

**BRIGHT SIDE SI SC L5 HB**

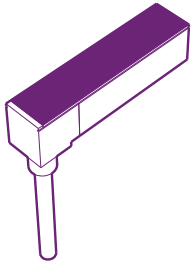
High Output Side Light, Silicone,  
Horizontal Bend, Single Color

Printed

**Lead Orientation**

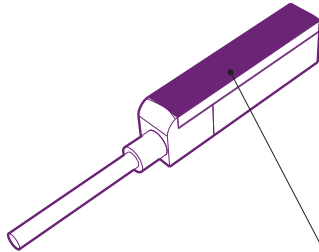
**Back Lead**

Part# NVS BRSL BC 68



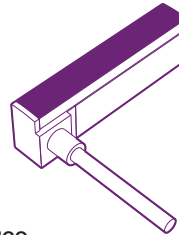
**End Lead**

Part# NVS BRSL EC 68



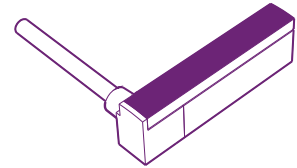
**Right Side Lead**

Part# NVS BRSL RC 68



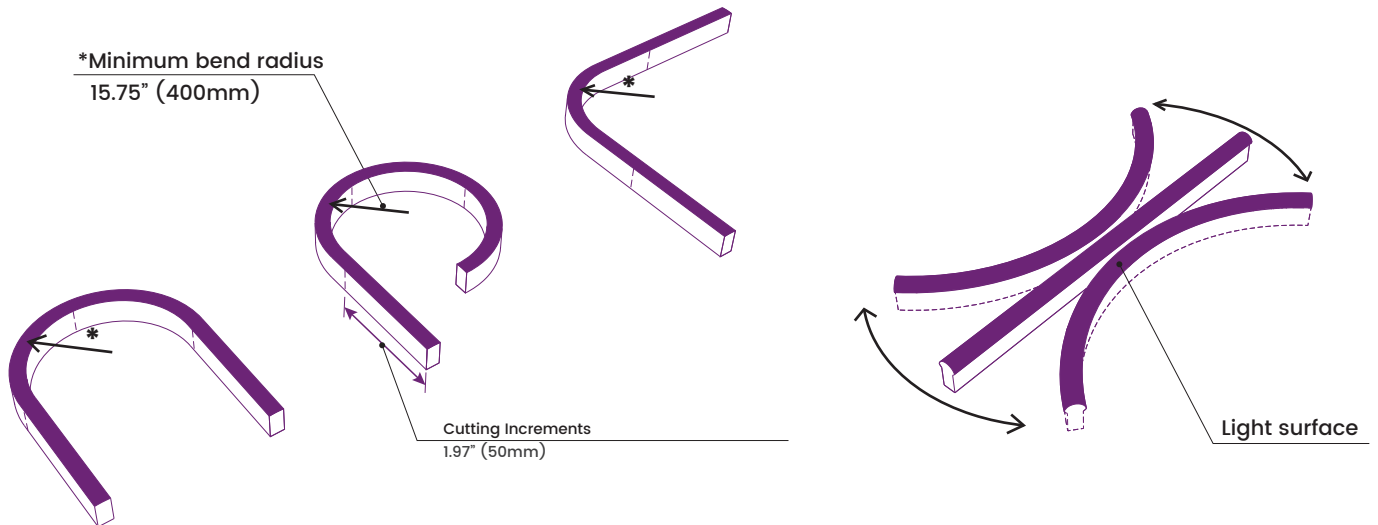
**Left Side Lead**

Part# NVS BRSL LC 68



Light surface

**Minimum Bend Radius and Bend Orientations**



BL neonVIEW BRIGHT SIDE HB Series  
bends horizontally

PROJECT

CLIENT

TYPE

Solid State Lighting is sensitive to power fluctuations  
Surge protection is highly recommended for all LED lighting products and should be on a designated circuit to protect against premature failure  
Lack of surge protection may void your warranty

For more information, please download the  
BL LIGHTING catalogue

BL LIGHTING. ILLUMINATE EVERYTHING

111 - 8838 Heather St. Vancouver, BC, Canada. V6P 3S8  
P: 1-604-874-4405 E: info@blighting.com  
Copyright © BL INNOVATIVE LIGHTING. All Rights Reserved.

blighting.com



**BL neonVIEW**

Diffused, Flexible, Linear LED Lighting,  
24VDC, Constant Voltage

**BRIGHT SIDE SI SC L5 HB**

High Output Side Light, Silicone,  
Horizontal Bend, Single Color

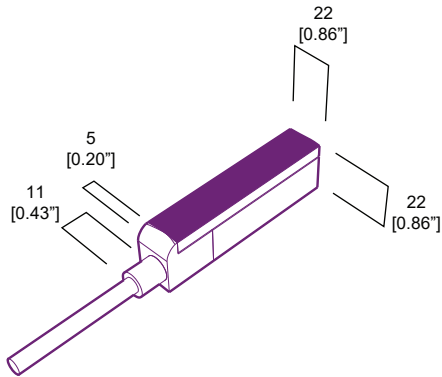
Printed



**Dimensions**

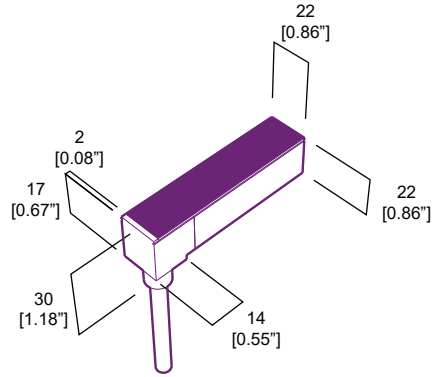
**End Lead**

Part# NVS BRSL EC 68

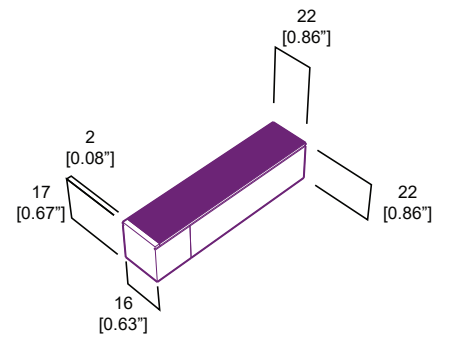


**Back Lead**

Part# NVS BRSL BC 68

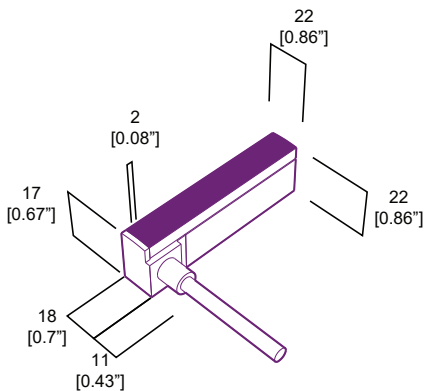


**End Cap**



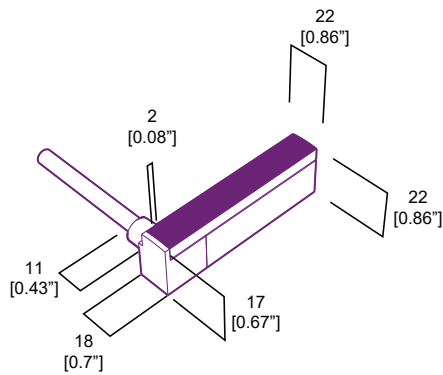
**Right Side Lead**

Part# NVS BRSL RC 68



**Left Side Lead**

Part# NVS BRSL LC 68



The tolerance of the Lead is  $\pm 0.5\text{mm}$   
For more detail, please download the CAD Drawing

PROJECT

CLIENT

TYPE

Solid State Lighting is sensitive to power fluctuations  
Surge protection is highly recommended for all LED lighting products and should be on a designated circuit to protect against premature failure  
Lack of surge protection may void your warranty

For more information, please download the  
**BL LIGHTING** catalogue

BL LIGHTING. ILLUMINATE EVERYTHING

111 - 8838 Heather St. Vancouver, BC, Canada. V6P 3S8  
P: 1-604-874-4405 E: info@blighting.com  
Copyright © BL INNOVATIVE LIGHTING. All Rights Reserved.

[blighting.com](http://blighting.com)

