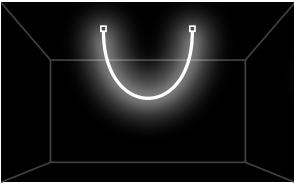


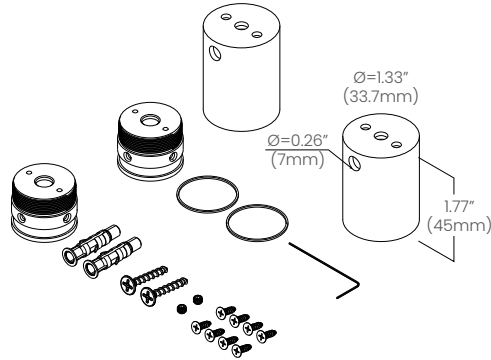
NV25 MKDE

Mounting Kit Double Ended

INSTALLATION LAYOUT



DIMENSIONS



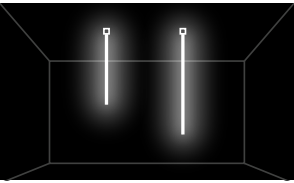
COMPONENTS

COMPONENTS	QTY
Hanger	2
Socket	2
O-ring	2
Screw	2
Wall Anchor	2
Flat-head Screw	8
Socket Set Screw	2
Allen Key	1

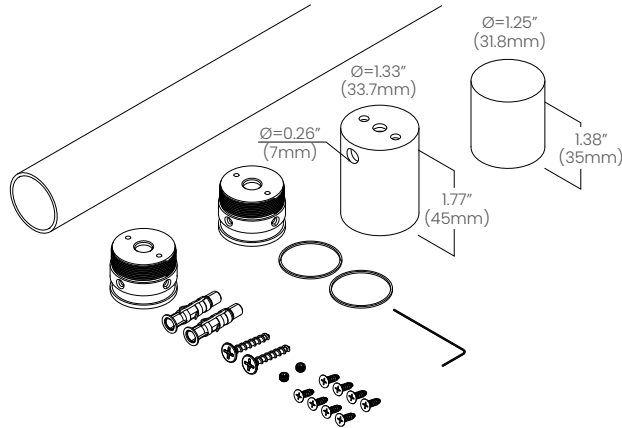
NV25 MKSE

Mounting Kit Single Ended

INSTALLATION LAYOUT



DIMENSIONS



COMPONENTS

COMPONENTS	QTY
Clear Acrylic Tube	1
Hanger	1
Endcap	1
Socket	2
O-ring	2
Screw	2
Wall Anchor	2
Flat-head Screw	8
Socket Set Screw	2
Allen Key	1

