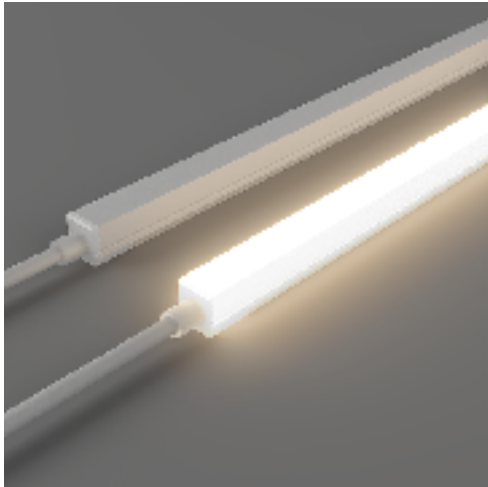


### BL neonVIEW

Diffused, Flexible, Linear LED Lighting,  
Side Emitting, 24VDC, Constant Voltage



### 3S TUNABLE SIDE SI

3 Sided Light, Silicone, Tunable White

#### Certification



#### Lighting



Lamp	LED 3015
LED's Per Foot	44 LEDs/ft (144 LEDs/m)
Power	*3.66 W/FT
Beam Angle	270°
Average Life	50,000 Hours
Lumens	*229 lm/FT
Efficacy	*63 lm/W

#### Electrical

Control	DMX, Bluetooth
Input Voltage	24VDC
Max Input Current	4.12A (White)
Connections	20AWG, Copper Conductors
Operating Temperature	-40°F to 131°F (-40°C to 55°C)
Circuit	Class 2

#### Mechanical

Housing Construction	Injection Moulded White Silicone
Cutting Increments	3.28" (83.3mm)
Maximum Run Length	24' 11" (7.6m)
Medial Bend Radius	* 150mm (5-7/8")
Environmental	IP68 (Seamless Injection Molded)
Mounting	Clip, Track

#### Accessories

NVS 3SL	** Factory installed termination kit
NVS 3SL JC	Factory installed jumper cable
NV3SL CCP	Surface Mounting Clip
NV3SL CCH	Surface Mounting Channel

\* Please refer to the performance table on the following page

\*\*Multiple Lead Orientation options available

PROJECT <input type="text"/>	CLIENT <input type="text"/>	TYPE <input type="text"/>
------------------------------	-----------------------------	---------------------------

Solid State Lighting is sensitive to power fluctuations  
Surge protection is highly recommended for all LED lighting products and should be on a designated circuit to protect against premature failure  
Lack of surge protection may void your warranty

For more information, please download the  
**BL LIGHTING** catalogue

**BL LIGHTING. ILLUMINATE EVERYTHING**

111 - 8838 Heather St. Vancouver, BC, Canada. V6P 3S8  
P: 1-604-874-4405 E: info@blighting.com  
Copyright © BL INNOVATIVE LIGHTING. All Rights Reserved.

[blighting.com](http://blighting.com)



**BL neonVIEW**

Diffused, Flexible, Linear LED Lighting,  
Side Emitting, 24VDC, Constant Voltage

**3S TUNABLE SIDE SI**

3 Sided Light, Silicone, Tunable White

**Performance**

CCT	Load	Lumens	Efficacy	Max. Length	Cutting Increments
2200K		107 lm/FT			
5700K		122 lm/FT			
2200K+5700K	3.66 W/FT	229 lm/FT	63 lm/W	24 ft 11 in	3.28 in (83.3mm)

**Ordering**

Product Name

BL neonVIEW 3S TUNABLE SIDE SI 24V

CCT

TW = 2200k-5700K

Lead Orientation

NVS 3SL BC = Back Lead  
NVS 3SL EC = End Lead

Mounting Accessories

NV3SL CCP = Mounting Clip  
NV3SL CCH = Mounting Channel

PROJECT

CLIENT

TYPE

Solid State Lighting is sensitive to power fluctuations  
Surge protection is highly recommended for all LED lighting products and should be on a designated circuit to protect against premature failure  
Lack of surge protection may void your warranty

For more information, please download the  
**BL LIGHTING** catalogue

**BL LIGHTING. ILLUMINATE EVERYTHING**

111 - 8838 Heather St. Vancouver, BC, Canada. V6P 3S8  
P: 1-604-874-4405 E: info@blighting.com  
Copyright © BL INNOVATIVE LIGHTING. All Rights Reserved.

[blighting.com](http://blighting.com)



**BL neonVIEW**

Diffused, Flexible, Linear LED Lighting,  
Side Emitting, 24VDC, Constant Voltage

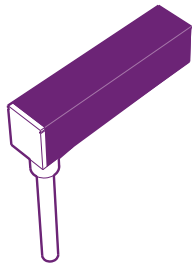
**3S TUNABLE SIDE SI**

3 Sided Light, Silicone, Tunable White

**Lead Orientation**

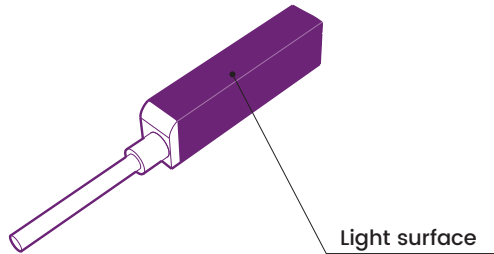
**Back Lead**

Part# NVS 3SL BC

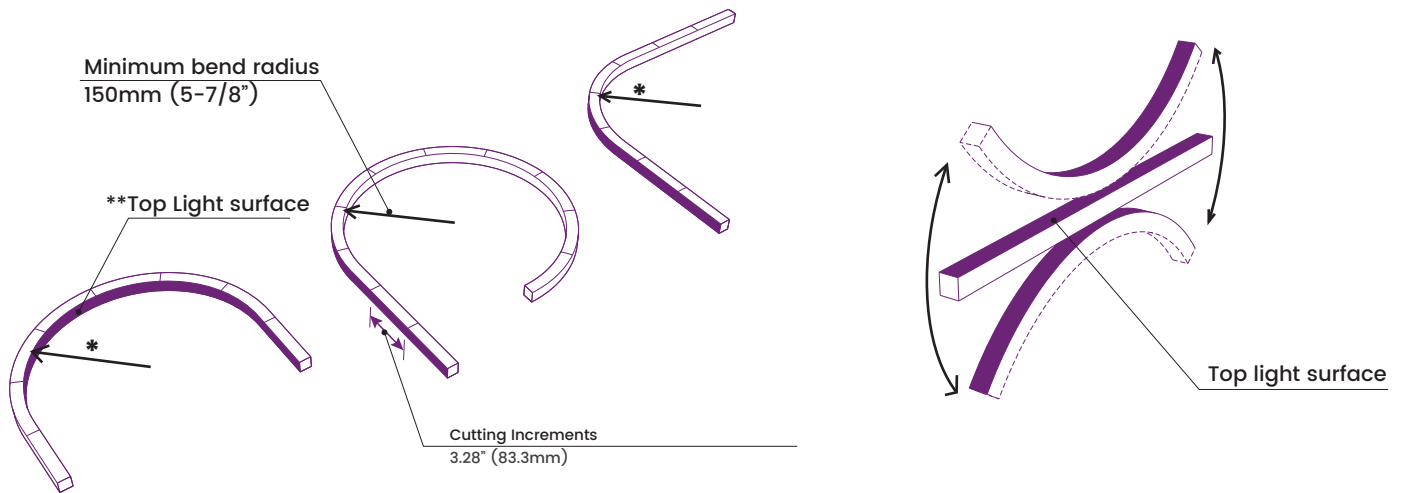


**End Lead**

Part# NVS 3SL EC



**Minimum Bend Radius and Bend Orientations**



\*\*Top light surface could be inside or outside.

BL neonVIEW 3S SIDE Series bends vertically

PROJECT  CLIENT  TYPE

Solid State Lighting is sensitive to power fluctuations  
Surge protection is highly recommended for all LED lighting products and should be on a designated circuit to protect against premature failure  
Lack of surge protection may void your warranty

For more information, please download the  
BL LIGHTING catalogue

**BL LIGHTING. ILLUMINATE EVERYTHING**

111 - 8838 Heather St. Vancouver, BC, Canada. V6P 3S8  
P: 1-604-874-4405 E: info@blighting.com  
Copyright © BL INNOVATIVE LIGHTING. All Rights Reserved.

blighting.com



**BL neonVIEW**

Diffused, Flexible, Linear LED Lighting,  
Side Emitting, 24VDC, Constant Voltage

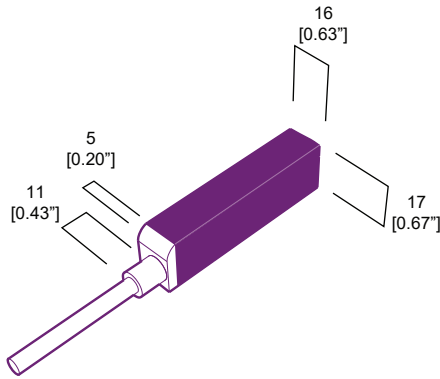
**3S TUNABLE SIDE SI**

3 Sided Light, Silicone, Tunable White

**Dimensions**

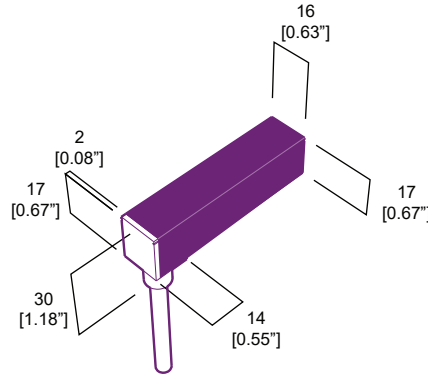
**End Lead**

Part# NVS 3SL EC

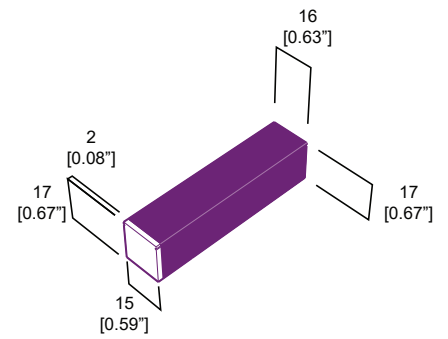


**Back Lead**

Part# NVS 3SL BC



**End Cap**



The tolerance of the Lead is  $\pm 0.5\text{mm}$   
For more detail, please download the CAD Drawing

PROJECT  CLIENT  TYPE

Solid State Lighting is sensitive to power fluctuations  
Surge protection is highly recommended for all LED lighting products and should be on a designated circuit to protect against premature failure  
Lack of surge protection may void your warranty

For more information, please download the  
**BL LIGHTING** catalogue

**BL LIGHTING. ILLUMINATE EVERYTHING**

111 - 8838 Heather St. Vancouver, BC, Canada. V6P 3S8  
P: 1-604-874-4405 E: info@blighting.com  
Copyright © BL INNOVATIVE LIGHTING. All Rights Reserved.

**blighting.com**



**BL neonVIEW**

Diffused, Flexible, Linear LED Lighting,  
Side Emitting, 24VDC, Constant Voltage

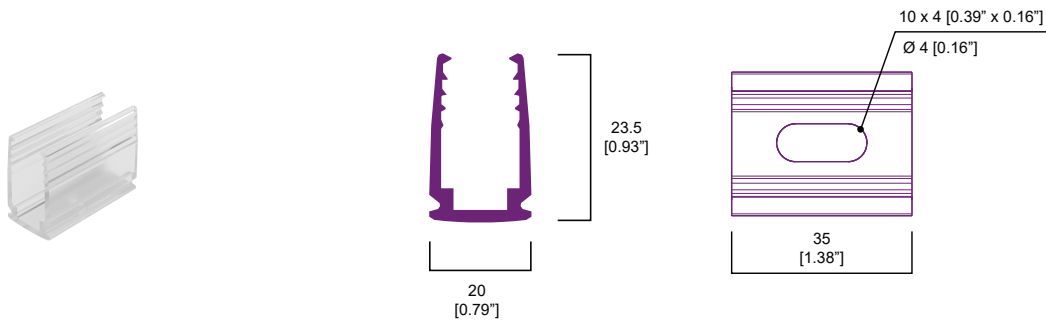
**3S TUNABLE SIDE SI**

3 Sided Light, Silicone, Tunable White

**Accessories (Surface Mounting Clip and Channel)**

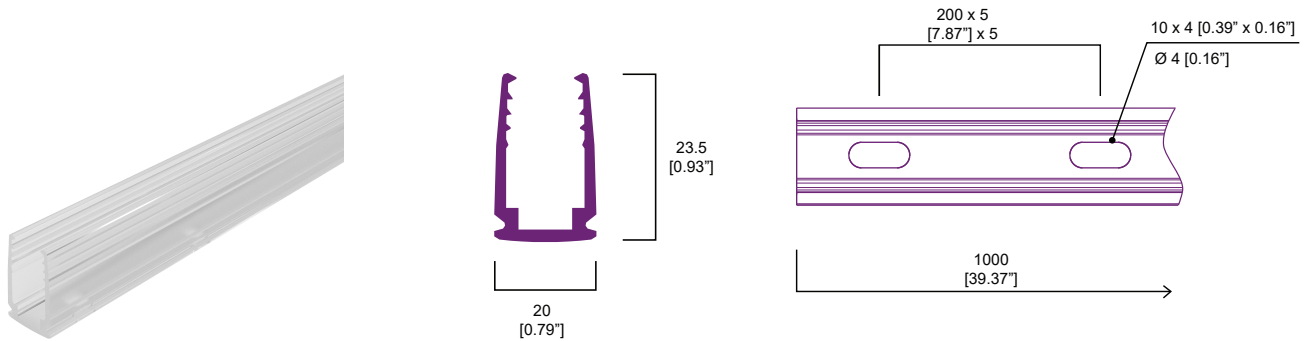
**Surface Mounting Clip**

Part# NV3SL CCP



**Surface Mounting Channel**

Part# NV3SL CCH



For more detail, please download the CAD Drawing

PROJECT  CLIENT  TYPE

Solid State Lighting is sensitive to power fluctuations  
Surge protection is highly recommended for all LED lighting products and should be on a designated circuit to protect against premature failure  
Lack of surge protection may void your warranty

For more information, please download the  
**BL LIGHTING** catalogue

**BL LIGHTING. ILLUMINATE EVERYTHING**

111 - 8838 Heather St. Vancouver, BC, Canada. V6P 3S8  
P: 1-604-874-4405 E: info@blighting.com  
Copyright © BL INNOVATIVE LIGHTING. All Rights Reserved.

**blighting.com**

