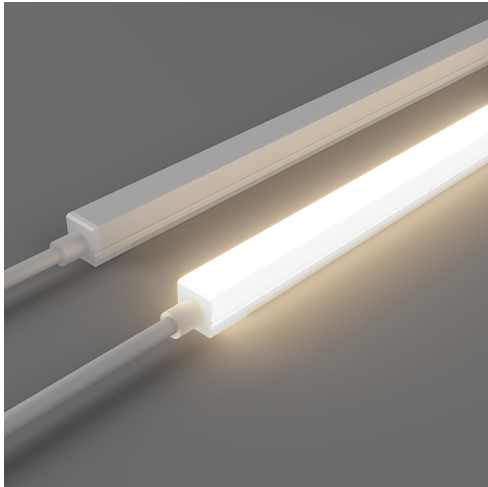


BL neonVIEW

Diffused, Flexible, Linear LED Lighting,
Side Emitting, 24VDC, Constant Voltage

3S SIDE SI SC

3 Sided Light, Silicone, Single color



Certification



Lighting



Lamp	LED 2835
LED's Per Foot	38 LEDs/ft (126 LEDs/m)
Power	*3.66 W/FT
Beam Angle	270°
Average Life	50,000 Hours
CRI	80+
Lumens	*259-335 lm/FT
Efficacy	*71-92 lm/W

Electrical

Control	0-10V, MLV, ELV, Phase-Cut, Triac, DMX, Bluetooth
Input Voltage	24VDC
Max Input Current	4.12A (White)
Connections	18AWG, Copper Conductors
Operating Temperature	-40°F to 131°F (-40°C to 55°C)
Circuit	Class 2

Mechanical

Housing Construction	Injection Moulded White Silicone
Cutting Increments	2.19" (55.6mm)
Maximum Run Length	25FT (7.6m)
Medial Bend Radius	* 150mm (5-7/8")
Environmental	IP68 (Seamless Injection Molded)
Mounting	Clip, Track

Accessories

NVS 3SL	** Factory installed termination kit
NVS 3SL JC	Factory installed jumper cable
NV3SL CCP	Surface Mounting Clip
NV3SL CCH	Surface Mounting Channel

* Please refer to the performance table on the following page

**Multiple Lead Orientation options available

PROJECT CLIENT TYPE

Solid State Lighting is sensitive to power fluctuations
Surge protection is highly recommended for all LED lighting products and should be on a designated circuit to protect against premature failure
Lack of surge protection may void your warranty

For more information, please download the
BL LIGHTING catalogue

BL LIGHTING. ILLUMINATE EVERYTHING

111 - 8838 Heather St. Vancouver, BC, Canada. V6P 3S8
P: 1-604-874-4405 E: info@blighting.com
Copyright © BL INNOVATIVE LIGHTING. All Rights Reserved.

blighting.com



BL neonVIEW

Diffused, Flexible, Linear LED Lighting,
Side Emitting, 24VDC, Constant Voltage

3S SIDE SI SC

3 Sided Light, Silicone, Single color

Performance

CCT/Color	Load	Lumens	Efficacy	Max. Length	Cutting Increments
2200K	3.66 W/FT	259 lm/FT	71 lm/W	25 ft 0 in	2.19 in (55.5mm)
2700K	3.66 W/FT	320 lm/FT	87 lm/W	25 ft 0 in	2.19 in (55.5mm)
3000K	3.66 W/FT	335 lm/FT	92 lm/W	25 ft 0 in	2.19 in (55.5mm)
3500K	3.66 W/FT	335 lm/FT	92 lm/W	25 ft 0 in	2.19 in (55.5mm)
4000K	3.66 W/FT	335 lm/FT	92 lm/W	25 ft 0 in	2.19 in (55.5mm)
5700K	3.66 W/FT	335 lm/FT	92 lm/W	25 ft 0 in	2.19 in (55.5mm)

Ordering

Product Name

BL neonVIEW 3S SIDE SI SC 24V

CCT

2200K
2700K
3000K
3500K
4000K
5700K

Lead Orientation

NVS 3SL BC = Back Lead
NVS 3SL EC = End Lead

Mounting Accessories

NV3SL CCP = Mounting Clip
NV3SL CCH = Mounting Channel

PROJECT

CLIENT

TYPE

Solid State Lighting is sensitive to power fluctuations
Surge protection is highly recommended for all LED lighting products and should be on a designated circuit to protect against premature failure
Lack of surge protection may void your warranty

For more information, please download the
BL LIGHTING catalogue

BL LIGHTING. ILLUMINATE EVERYTHING

111 - 8838 Heather St. Vancouver, BC, Canada. V6P 3S8
P: 1-604-874-4405 E: info@blighting.com
Copyright © BL INNOVATIVE LIGHTING. All Rights Reserved.

blighting.com



BL neonVIEW

Diffused, Flexible, Linear LED Lighting,
Side Emitting, 24VDC, Constant Voltage

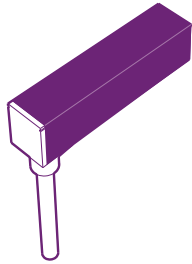
3S SIDE SI SC

3 Sided Light, Silicone, Single color

Lead Orientation

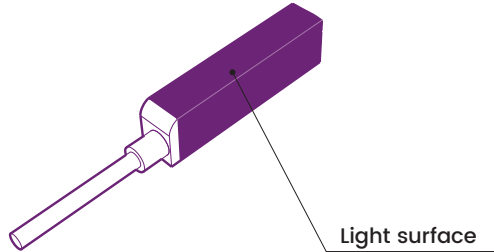
Back Lead

Part# NVS 3SL BC

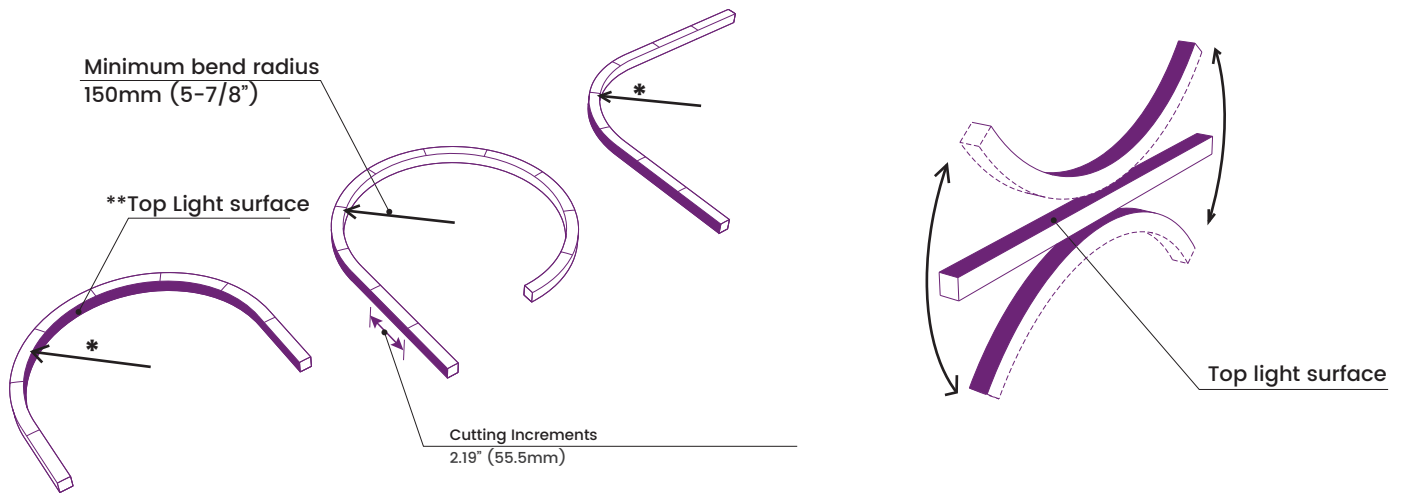


End Lead

Part# NVS 3SL EC



Minimum Bend Radius and Bend Orientations



**Top light surface could be inside or outside.

BL neonVIEW 3S SIDE Series bends vertically

PROJECT CLIENT TYPE

Solid State Lighting is sensitive to power fluctuations
Surge protection is highly recommended for all LED lighting products and should be on a designated circuit to protect against premature failure
Lack of surge protection may void your warranty

For more information, please download the
BL LIGHTING catalogue

BL LIGHTING. ILLUMINATE EVERYTHING

111 - 8838 Heather St. Vancouver, BC, Canada. V6P 3S8
P: 1-604-874-4405 E: info@blighting.com
Copyright © BL INNOVATIVE LIGHTING. All Rights Reserved.

blighting.com



BL neonVIEW

Diffused, Flexible, Linear LED Lighting,
Side Emitting, 24VDC, Constant Voltage

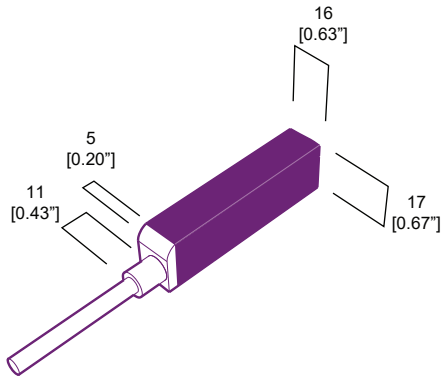
3S SIDE SI SC

3 Sided Light, Silicone, Single color

Dimensions

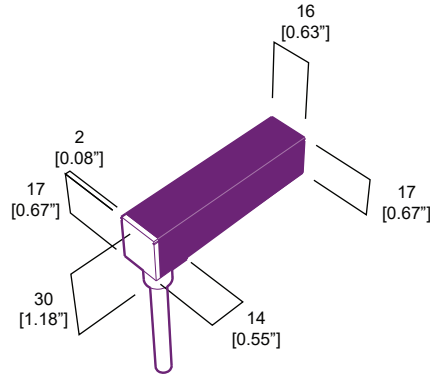
End Lead

Part# NVS 3SL EC

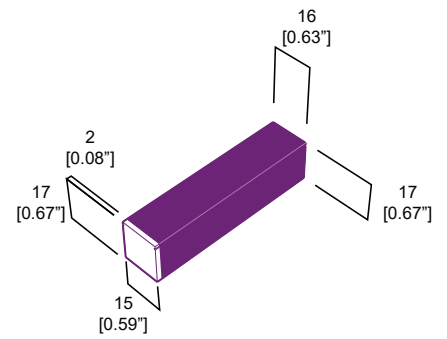


Back Lead

Part# NVS 3SL BC



End Cap



The tolerance of the Lead is $\pm 0.5\text{mm}$
For more detail, please download the CAD Drawing

PROJECT CLIENT TYPE

Solid State Lighting is sensitive to power fluctuations
Surge protection is highly recommended for all LED lighting products and should be on a designated circuit to protect against premature failure
Lack of surge protection may void your warranty

For more information, please download the
BL LIGHTING catalogue

BL LIGHTING. ILLUMINATE EVERYTHING

111 - 8838 Heather St. Vancouver, BC, Canada. V6P 3S8
P: 1-604-874-4405 E: info@blighting.com
Copyright © BL INNOVATIVE LIGHTING. All Rights Reserved.

blighting.com



BL neonVIEW

Diffused, Flexible, Linear LED Lighting,
Side Emitting, 24VDC, Constant Voltage

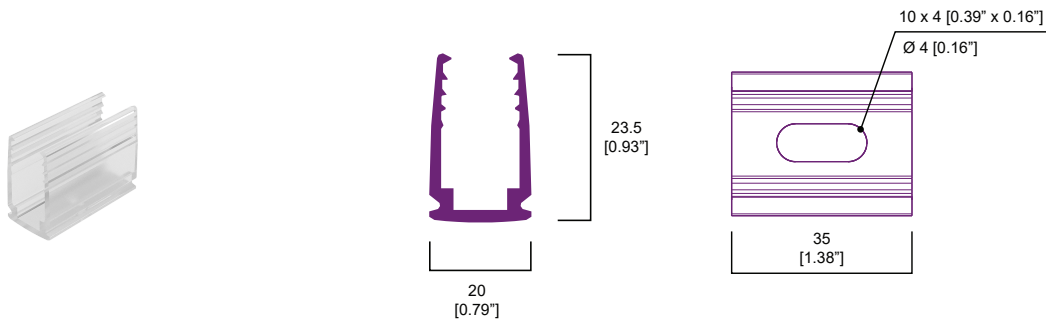
3S SIDE SI SC

3 Sided Light, Silicone, Single color

Accessories (Surface Mounting Clip and Channel)

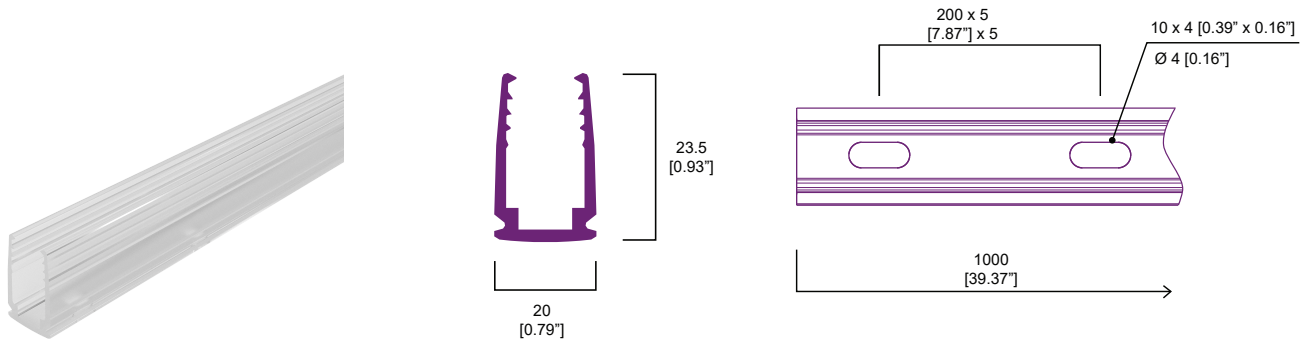
Surface Mounting Clip

Part# NV3SL CCP



Surface Mounting Channel

Part# NV3SL CCH



For more detail, please download the CAD Drawing

PROJECT CLIENT TYPE

Solid State Lighting is sensitive to power fluctuations
Surge protection is highly recommended for all LED lighting products and should be on a designated circuit to protect against premature failure
Lack of surge protection may void your warranty

For more information, please download the
BL LIGHTING catalogue

BL LIGHTING. ILLUMINATE EVERYTHING

111 - 8838 Heather St. Vancouver, BC, Canada. V6P 3S8
P: 1-604-874-4405 E: info@blighting.com
Copyright © BL INNOVATIVE LIGHTING. All Rights Reserved.

blighting.com

