

BL inWATER HALO195

Circular, Underwater Recessed Luminaire
20W, 32W, 12/24VDC Constant Voltage

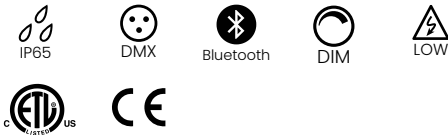


For fountain applications where 360° spray illumination is desired, BL inWATER HALO195 creates a brilliant ring of active uplighting. Durably constructed with stainless steel housing and a tempered glass lens, the 2" (50mm) diameter center sleeve opening facilitates easy horizontal mounting, slipping onto a spray nozzle riser like a ring. IP68 rated and designed for permanent submersion up to 16ft (5m) depth, bring your water fountain feature to life with beautiful light.

Up to 1,145 lm/unit 12VDC or 24VDC

| | |
|--------------|--|
| CLIENT | |
| PROJECT NAME | |
| LOCATION | |
| DATE | |

Product Detail



| | | |
|----------------------|-----------------------|--------------------------------|
| Lighting | Power | 20W(Single Color), 32W(RGB) |
| | Average Life | 50,000 Hours |
| | Controls | 0-10V, MLV, DMX, Bluetooth |
| Electrical | Input Voltage | 12VDC - 24VDC |
| | Connections | 18AWG Copper Conductors |
| | Frequency | 50/60Hz |
| | Housing Construction | Stainless steel housing, Glass |
| Mechanical | Weight | 3.1kg (6.83lb) |
| | Cord Length | 49' (15m) |
| | Max. Submersion Depth | 16'-6" (5m) |
| | Water Type | Freshwater, Chlorinated water |
| | Ingress Protection | IP68 |
| Environmental | Certifications | ETL, CE |
| | Operating Temperature | -13°F to 113°F (-25°C to 45°C) |

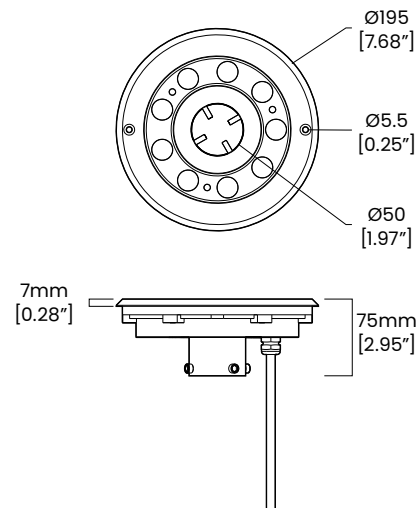
Performance

| CCT/Color | | 3000K | 4000K | 6000K | Red | Green | Blue | RGB |
|-----------|---------|-------|-------|-------|-----|-------|------|------|
| Power | W/unit | 20 | | | | | | |
| Lumens | lm/unit | 890 | 920 | 950 | 300 | 740 | 105 | 1145 |
| Efficacy | lm/W | 45 | 46 | 48 | 15 | 37 | 5 | 36 |

Ordering

| Product Code | CCT/Color | Beam Angle | Voltage |
|--------------------|-----------|------------|------------|
| BL inWATER HALO195 | | | |
| | 3000K | 5° | 12 (12VDC) |
| | 4000K | 15° | 24 (24VDC) |
| | 6000K | 25° | |
| | Red | 45° | |
| | Green | 60° | |
| | Blue | | |
| | RGB | | |

Dimensions



BL LIGHTING ILLUMINATE EVERYTHING

111 - 8838 Heather St. Vancouver, BC, Canada. V6P 3S8
P: 1-604-874-4405 E: info@blighting.com
Copyright © BL INNOVATIVE LIGHTING. All Rights Reserved.

Solid State Lighting is sensitive to power fluctuations. Surge protection is highly recommended for all LED lighting products and should be on a dedicated circuit to protect against premature failure. Lack of surge protection may void your warranty.

Designed & Assembled in North America.

Specifications subject to change without notice. Please refer to our website at blighting.com for current technical data.

For more information, please download the BL LIGHTING catalog

blighting.com

