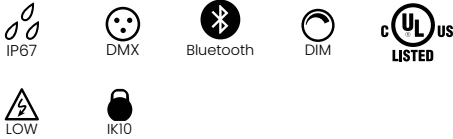


BL inGROUND LNR3710 direct view, glare-free in-grade recessed drive over linear lights are ideal for wayfinding, delineation, accent and safety lighting in driveways, parking lots, plazas, stairways, parks and public spaces. Designed to withstand temperatures from -40°F to 131°F (-40°-55°C), these luminaires are solidly constructed with up to 3354lbf weight bearing capacity, IP67 rating, corrosion resistant marine grade 316L stainless steel housing, and weatherproof IP68 rated quick connectors for ease of installation. The robust stainless steel housing is an excellent heat sink, and is engineered with a drain channel to prevent permanent submersion of the IP67 rated LED, ensuring longevity. With drive over and walk over options, the flush recessed and treadable non-slip silicone lens top delivers uniformly diffused, glare-free illumination with a 115° beam angle. Seamless, continuous run lengths. This ground-breaking luminaire is perfect for the projects that demand a long life, sturdy, and attractive linear in-grade recessed LED.

CLIENT	
PROJECT NAME	
LOCATION	
DATE	

Drive-Over and Walk-Over Options **24VDC** **Custom Run Lengths** **316L Stainless Steel Housing** **Pixel Chasing Available**

Product Detail



Lighting	Lamp	LED, SMD 2835 (Static) LED, SMD 3015 (Dynamic White) LED, SMD 5050 (Color Changing)
	Average Life	50,000 Hours
	Beam Angle	115°
Electrical	Controls	0-10V, MLV, ELV, TRIAC, Phase Cut, DMX, Bluetooth
	Input Voltage	24VDC
	Max Input Current	4A
Mechanical	Connections	Copper conductors, 18AWG(White) Copper conductors, 20AWG (RGB, RGBW)
	Housing Construction	316 Stainless Steel Channel Silicone Diffuser
	Weight Bearing	S2 - 2,683lbf Load Rated (Walk-Over) S3 - 3,354lbf Load Rated (Drive-Over)
Accessories	Channel Length	1.64FT (0.5m) and 3.28FT (1m) Sections Available
	LNR3710 CHS 316S 05	1.64FT (0.5m) 316 Stainless Steel Channel
	LNR3710 CHS 316S 10	3.28FT (1m) 316 Stainless Steel Channel
	LNR3710 CHS EC	316 Stainless Steel End Cap
	LNR3710 CHS SD	Silicone Diffuser
	LNR3710 CHS JB	Channel Joiner Bracket
	LNR3710 NVS QC	IP68 Cable Quick Connectors
Environmental	Ingress Protection	IP67
	Impact Protection	IK10
	Certifications	UL, CE
	Operating Temperature	-40°F to 131°F (-40°C to 55°C)

Performance

Static Colors/Color Changing

CCT/Color		2200K	2700K	3000K	3500K	4000K	5700K	6500K	Red	Green	Blue	RGB	RGBW(2700K)	RGBW(3000K)	RGBW(4000K)
Power	W/FT	3.66							2.44	3.66			4.57		
Lumens	lm/FT	232	274	305			73	305	61	189	267				
Efficacy	lm/W	63	75	73			30	83	19	52	58				
CRI	CRI	80+							N/A			80+			
LED's Qty	Qty/FT	26													
Increment	inch(mm)	3.28 (83.3)													

BL LIGHTING ILLUMINATE EVERYTHING

111 - 8838 Heather St. Vancouver, BC, Canada. V6P 3S8
P: 1-804-874-4405 E: info@bllighting.com
Copyright © BL INNOVATIVE LIGHTING. All Rights Reserved.

Solid State Lighting is sensitive to power fluctuations. Surge protection is highly recommended for all LED lighting products and should be on a dedicated circuit to protect against premature failure. Lack of surge protection may void your warranty.

Designed & Assembled in North America.

Specifications subject to change without notice. Please refer to our website at bllighting.com for current technical data.

For more information, please download the BL LIGHTING catalog

bllighting.com



Performance

Dynamic White

CCT/Color		2200K - 6500K
Power	W/FT	3.66
Lumens	lm/FT	134 (2200K) - 152 (6500K)
Efficacy	lm/W	36 (2200K) - 42 (6500K)
CRI	CRI	80+
LED's Qty	Qty/FT	51
Increment	inch(mm)	3.28 (83.3)

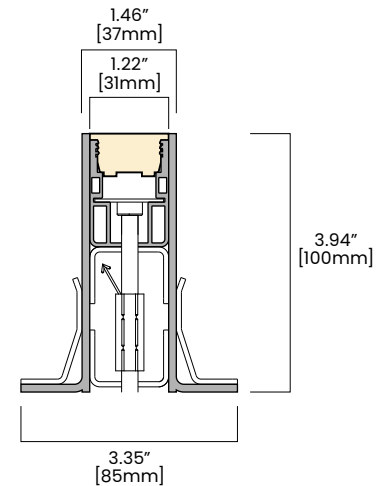
Pixel Chasing

CCT/Color		2200K	2700K	3000K	3500K	4000K	5700K	6500K	2200K - 6500K	RGB	RGBW(3000K)	RGBW(4000K)
Power	W/FT	3.66							4.57	3.66	4.57	
Lumens	lm/FT	168	198	213			137 (2200K) - 152 (6500K)		130	182		
Efficacy	lm/W	46	54	58			30 (2200K) - 33 (6500K)		36	40		
CRI	CRI	80+							N/A	80+		
LED's Qty	Qty/FT	18							36	18		
Increment	inch(mm)	3.93 (100)							6.56 (166.7)			

Ordering

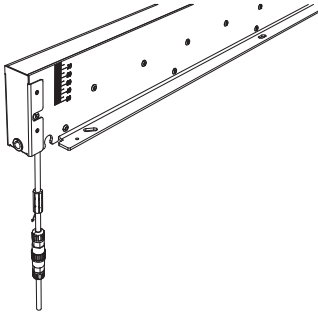
Product Code	Weight Bearing	Effect	CCT/Color
BL inGROUND LNR3710	S2 (Walk-Over) S3 (Drive-Over)	ST (Static) PX (Pixel)	2200K
			2700K
			3000K
	3500K		
	4000K		
	5700K		
	6500K		
	DW (2200K-6500K)		
	Red		
	Green		
	Blue		
	RGB		
	RGBW(2700K)		
RGBW(3000K)			
RGBW(4000K)			

Dimensions

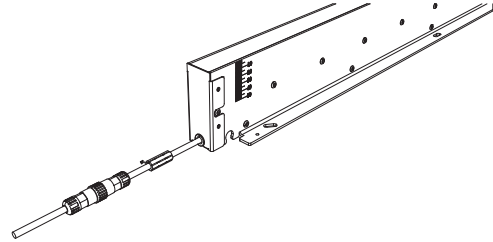


Lead Orientations

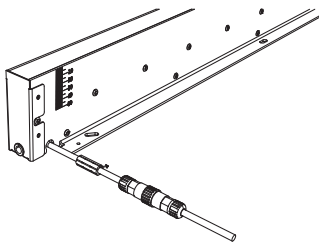
Back Lead



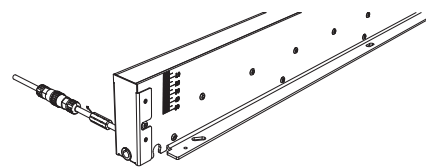
End Lead



Right Side Lead



Left Side Lead



**The Wick Resistant Wire Ferrule is built into the lead wire, 4.5" (115mm) from the fixture termination connection, for additional moisture ingress protection. Removal of the Wick Resistant Wire Ferrule may void your warranty.*

