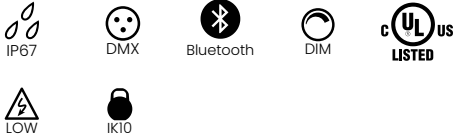
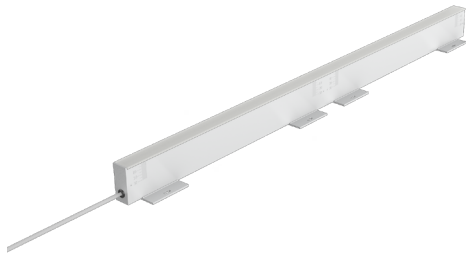


BL inGROUND LNR3069 direct view, glare-free in-grade recessed walk over linear lights are engineered for flush mount installations and ideal for wayfinding, delineation, accent and safety lighting in floor, ground and wall installations. Solidly constructed with up to 335lbf weight bearing capacity, IP67 rating, lightweight aluminum housing, and weatherproof quick connectors for ease of installation. The channel is an excellent heat sink, and engineered with a drain channel, preventing permanent submersion of the IP67 rated LED housed within, ensuring longevity. The flush recessed and treadable non-slip silicone lens top delivers uniformly diffused, glare-free illumination with a 115° beam angle. Achieve seamless, continuous run lengths. Perfect for projects requiring recessed, robust, lines of linear lighting.

CLIENT	
PROJECT NAME	
LOCATION	
DATE	

Walk-Over Load Rated **24VDC** **Custom Run Lengths** **6063 Aluminum Alloy** **Pixel Chasing Available**

Product Detail



Lighting	Lamp	LED, SMD 2835 (Static) LED, SMD 3015 (Dynamic White) LED, SMD 5050 (Color Changing)
	Average Life	50,000 Hours
	Beam Angle	115°
Electrical	Controls	0-10V, MLV, ELV, TRIAC, Phase Cut, DMX, Bluetooth
	Input Voltage	24VDC
	Max Input Current	4A
Mechanical	Connections	Copper conductors, 18AWG (White) Copper conductors, 20AWG (RGB, RGBW)
	Housing Construction	6063 Aluminum Channel Silicone Diffuser
	Weight Bearing	S1 -335lbf Load Rated (Walk-Over)
Accessories	Channel Length	1.64FT (0.5m) and 3.28FT (1m) Sections Available
	LNR3069 CHS 316S 05	1.64FT (0.5m) 6063 Aluminum Channel
	LNR3069 CHS 316S 10	3.28FT (1m) 6063 Aluminum Channel
	LNR3069 CHS EC	6063 Aluminum End Cap
	LNR3069 CHS SD	Silicone Diffuser
	LNR3069 CHS JB	Channel Joiner Bracket
	LNR3069 NVS QC	IP68 Cable Quick Connectors
Environmental	Ingress Protection	IP67
	Impact Protection	IK10
	Certifications	UL, CE
	Operating Temperature	-40°F to 131°F (-40°C to 55°C)

Performance

Static Colors/Color Changing

CCT/Color		2200K	2700K	3000K	3500K	4000K	5700K	6500K	Red	Green	Blue	RGB	RGBW(2700K)	RGBW(3000K)	RGBW(4000K)
Power	W/FT	3.66							2.44	3.66			4.57		
Lumens	lm/FT	232	274	305			73	305	61	189	267				
Efficacy	lm/W	63	75	73			30	83	19	52	58				
CRI	CRI	80+							N/A			80+			
LED's Qty	Qty/FT	26													
Increment	inch(mm)	3.28 (83.3)													



Performance

Dynamic White

CCT/Color		2200K - 6500K
Power	W/FT	3.66
Lumens	lm/FT	134 (2200K) - 152 (6500K)
Efficacy	lm/W	36 (2200K) - 42 (6500K)
CRI	CRI	80+
LED's Qty	Qty/FT	51
Increment	inch(mm)	3.28 (83.3)

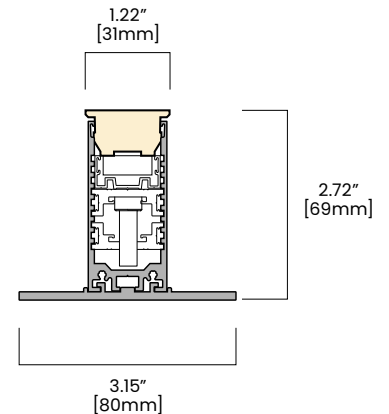
Pixel Chasing

CCT/Color		2200K	2700K	3000K	3500K	4000K	5700K	6500K	2200K - 6500K	RGB	RGBW(3000K)	RGBW(4000K)
Power	W/FT	3.66							4.57	3.66	4.57	
Lumens	lm/FT	168	198	213			137 (2200K) - 152 (6500K)		130	182		
Efficacy	lm/W	46	54	58			30 (2200K) - 33 (6500K)		36	40		
CRI	CRI	80+							N/A	80+		
LED's Qty	Qty/FT	18							36	18		
Increment	inch(mm)	3.93 (100)							6.56 (166.7)			

Ordering

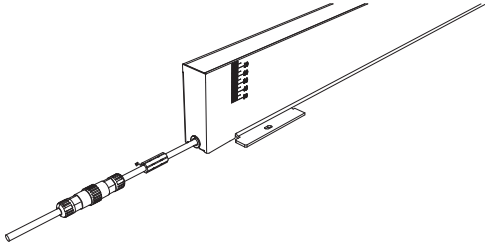
Product Code	Weight Bearing	Effect	CCT/Color
BL inGROUND LNR3069	S1 (Walk-Over)	ST (Static) PX (Pixel)	2200K 2700K 3000K 3500K 4000K 5700K 6500K DW (2200K-6500K) Red Green Blue RGB RGBW(2700K) RGBW(3000K) RGBW(4000K)

Dimensions



Lead Orientations

End Lead



**The Wick Resistant Wire Ferrule is built into the lead wire, 4.5" (115mm) from the fixture termination connection, for additional moisture ingress protection. Removal of the Wick Resistant Wire Ferrule may void your warranty.*

