

BL inGROUND

Square, Outdoor Recessed Luminaire
24VDC Constant Voltage

DISK S250

Printed

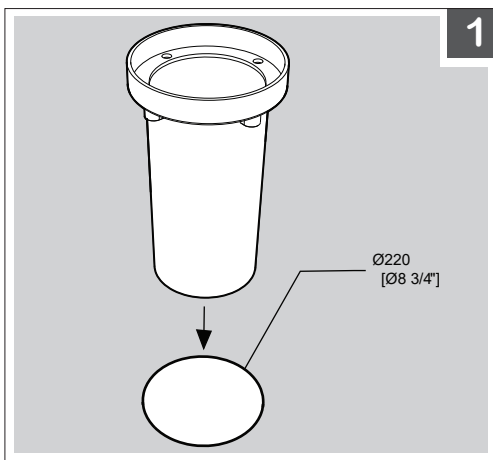


Please note that these instructions are guidelines only and in no way supersede any construction or installation standards.

ATTENTION

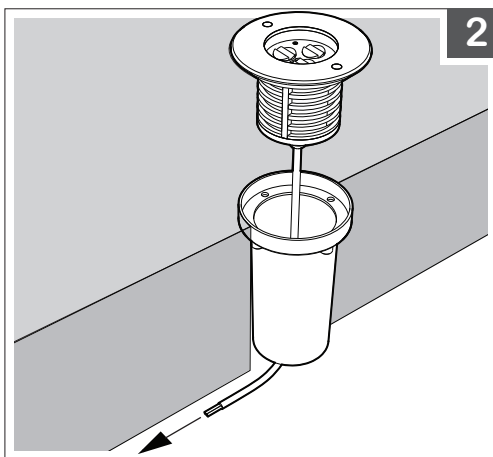
- There is potential danger of electrical shock when operating electrical components.
- Make sure power is turned off before installation.
- Allow for heat dissipation and adequate ventilation.

Local building and electrical codes should be consulted before installation.



1. Create hole for recessing **DISK S250** with a 8 3/4" OD. The recessed depth must align **DISK S250** flange flush to ground level.

IMPORTANT: Ensure proper drainage has been included before proceeding.



2. Install boot and run wiring.

TIP: Listed flexible conduit is recommended for in and out connections so to ease fixture position and adjustment during installation.

PROJECT

CLIENT

TYPE

Solid State Lighting is sensitive to power fluctuations
Surge protection is highly recommended for all LED lighting products and should be on a designated circuit to protect against premature failure
Lack of surge protection may void your warranty

For more information, please download the
BL LIGHTING catalogue

BL LIGHTING. ILLUMINATE EVERYTHING

111 - 8838 Heather St. Vancouver, BC, Canada. V6P 3S8
P: 1-604-874-4405 F: 1-604-321-0445 E: info@bllighting.com
Copyright © 2017 BL INNOVATIVE LIGHTING. All Rights Reserved.

bllighting.com



BL inGROUND

Square, Outdoor Recessed Luminaire
24VDC Constant Voltage

DISK S250

Printed

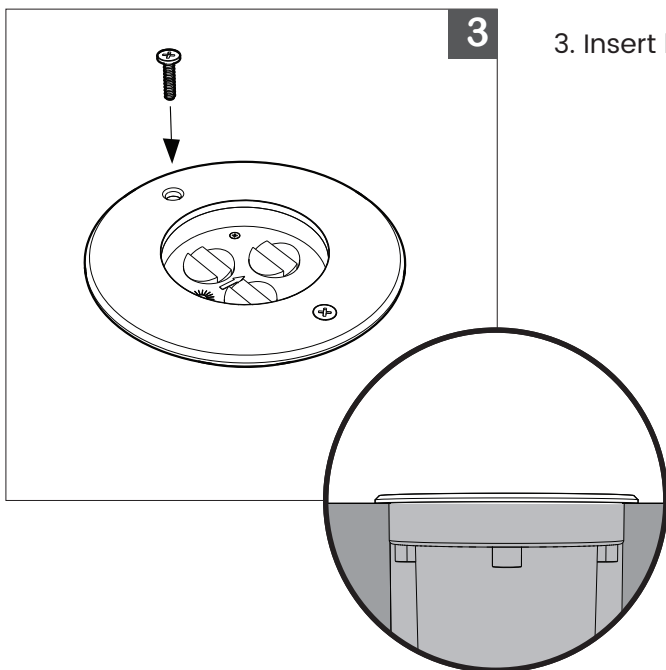


Please note that these instructions are guidelines only and in no way supersede any construction or installation standards.

ATTENTION

- There is potential danger of electrical shock when operating electrical components.
- Make sure power is turned off before installation.
- Allow for heat dissipation and adequate ventilation.

Local building and electrical codes should be consulted before installation.



3. Insert luminaire into boot and secure with provided screws.

IMPORTANT: The luminaire must be level with ground to prevent water leak.
Seal trim of luminaire with marine grade silicone.

PROJECT

CLIENT

TYPE

Solid State Lighting is sensitive to power fluctuations
Surge protection is highly recommended for all LED lighting products and should be on a designated circuit to protect against premature failure
Lack of surge protection may void your warranty

For more information, please download the
BL LIGHTING catalogue

BL LIGHTING. ILLUMINATE EVERYTHING

111 - 8838 Heather St. Vancouver, BC, Canada. V6P 3S8
P: 1-604-874-4405 F: 1-604-321-0445 E: info@bllighting.com
Copyright © 2017 BL INNOVATIVE LIGHTING. All Rights Reserved.

bllighting.com

