

BL flexFORM SIDE Series

Flexible, Linear LED Strip Lighting, Side-Emitting
Monochromatic, 24VDC, Constant Voltage

INSTALLATION INSTRUCTIONS

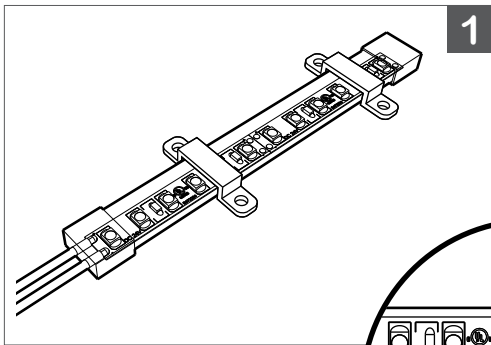


Please note that these instructions are guidelines only and in no way supersede any construction or installation standards. Local building and electrical codes should be consulted before installation.

ATTENTION

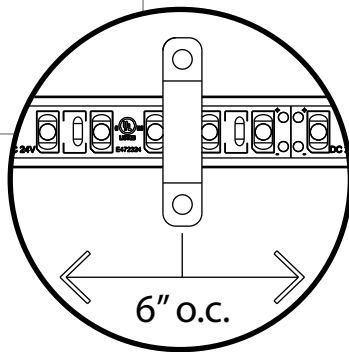
- There is potential danger of electrical shock when operating electrical components.
- Make sure power is turned off before installation.
- Allow for heat dissipation and adequate ventilation.

CLIP Ideal for wood and other porous surfaces

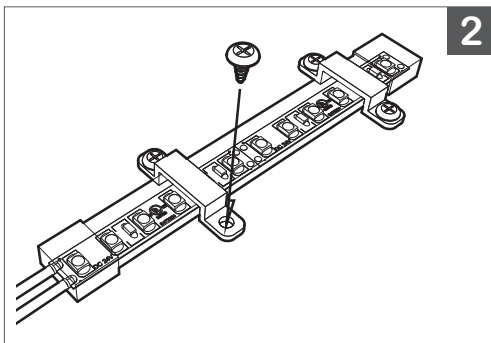


1.

- A. Hold **BL flexFORM SIDE** taught to mounting surface.
- B. Align clips in-between LED diodes (not directly over them).



NOTE: Two clips per linear foot is recommended for secure fastening.



2. Mount clips to surface with screws.

IMPORTANT: Be careful not to over-tighten screws when using power tools.

BL LIGHTING ILLUMINATE EVERYTHING

111 - 8838 Heather St. Vancouver, BC, Canada. V6P 3S8
P: 1-804-874-4405 E: info@bllighting.com
Copyright © BL INNOVATIVE LIGHTING. All Rights Reserved.

Solid State Lighting is sensitive to power fluctuations. Surge protection is highly recommended for all LED lighting products and should be on a dedicated circuit to protect against premature failure. Lack of surge protection may void your warranty.

Designed & Assembled in North America.

Specifications subject to change without notice. Please refer to our website at bllighting.com for current technical data.

For more information, please download the BL LIGHTING catalog

bllighting.com



BL flexFORM SIDE Series

Flexible, Linear LED Strip Lighting, Side-Emitting
Monochromatic, 24VDC, Constant Voltage

INSTALLATION INSTRUCTIONS



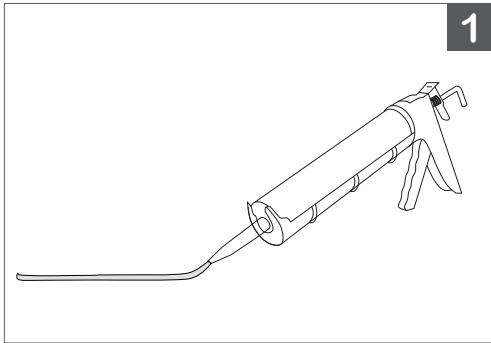
Please note that these instructions are guidelines only and in no way supersede any construction or installation standards. Local building and electrical codes should be consulted before installation.

ATTENTION

- There is potential danger of electrical shock when operating electrical components.
- Make sure power is turned off before installation.
- Allow for heat dissipation and adequate ventilation.

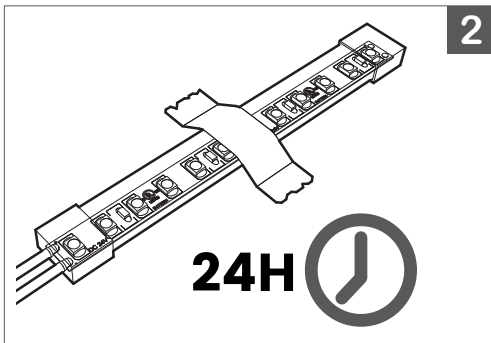
ADHESIVE

Ideal for smooth and/or delicate surfaces



1. Evenly bead adhesive to surface at required length.

IMPORTANT: Ensure surface is clean and dry before applying adhesive.



2.

A. Firmly gel **BL flexFORM SIDE** into adhesive.
B. Secure **BL flexFORM SIDE** into position with masking tape.
Allow adhesive to cure (24 hours) before removing masking tape.

BL LIGHTING ILLUMINATE EVERYTHING

111 - 8838 Heather St. Vancouver, BC, Canada. V6P 3S8
P: 1-804-874-4405 E: info@bllighting.com
Copyright © BL INNOVATIVE LIGHTING. All Rights Reserved.

Solid State Lighting is sensitive to power fluctuations. Surge protection is highly recommended for all LED lighting products and should be on a dedicated circuit to protect against premature failure. Lack of surge protection may void your warranty.

Designed & Assembled in North America.

Specifications subject to change without notice. Please refer to our website at bllighting.com for current technical data.

For more information, please download the BL LIGHTING catalog

bllighting.com



BL flexFORM SIDE Series

Flexible, Linear LED Strip Lighting, Side-Emitting
Monochromatic, 24VDC, Constant Voltage

INSTALLATION INSTRUCTIONS

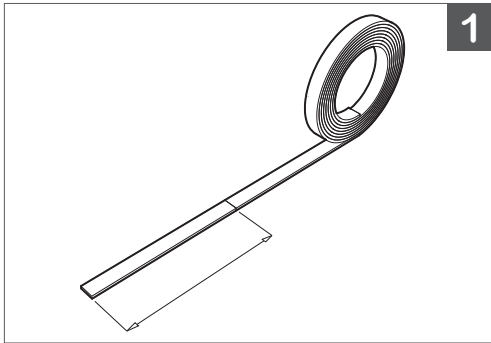


Please note that these instructions are guidelines only and in no way supersede any construction or installation standards.
Local building and electrical codes should be consulted before installation.

ATTENTION

- There is potential danger of electrical shock when operating electrical components.
- Make sure power is turned off before installation.
- Allow for heat dissipation and adequate ventilation.

DOUBLE-SIDED TAPE Ideal for temporary installations

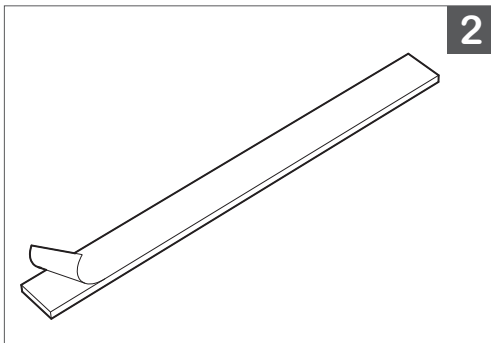


1

1.

- A. Measure and cut required length of tape.
- B. Stick tape to desired surface.

IMPORTANT: Ensure surface is clean and dry before applying tape.



2

2.

- A. Remove protective layer from tape exposing adhesive.
- B. Center and firmly compress **BL flexFORM SIDE** to tape.

IMPORTANT: Double-Sided Tape is not suitable for applications where **BL flexFORM SIDE** is to be installed in a vertical or down-facing position.

BL LIGHTING ILLUMINATE EVERYTHING

111 - 8838 Heather St. Vancouver, BC, Canada. V6P 3S8
P: 1-804-874-4405 E: info@bllighting.com
Copyright © BL INNOVATIVE LIGHTING. All Rights Reserved.

Solid State Lighting is sensitive to power fluctuations. Surge protection is highly recommended for all LED lighting products and should be on a dedicated circuit to protect against premature failure. Lack of surge protection may void your warranty.

Designed & Assembled in North America.

Specifications subject to change without notice. Please refer to our website at bllighting.com for current technical data.

For more information, please download the BL LIGHTING catalog

bllighting.com

