

# BL flexFORM D4

Flexible, Linear LED Strip Lighting  
Monochromatic, 24VDC, Constant Voltage

## INSTALLATION INSTRUCTIONS

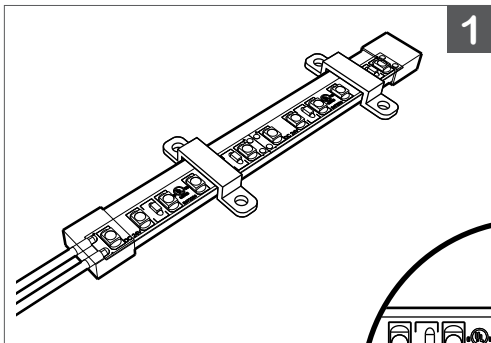


Please note that these instructions are guidelines only and in no way supersede any construction or installation standards. Local building and electrical codes should be consulted before installation.

### ATTENTION

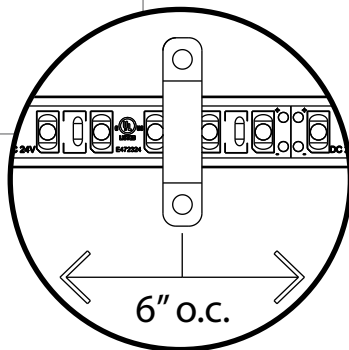
- There is potential danger of electrical shock when operating electrical components.
- Make sure power is turned off before installation.
- Allow for heat dissipation and adequate ventilation.

### CLIP Ideal for wood and other porous surfaces

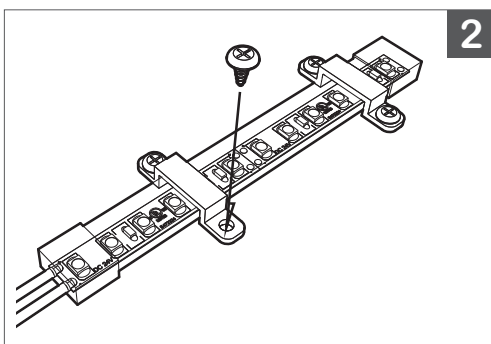


1.

- A. Hold **BL flexFORM D4** taut to mounting surface.
- B. Align clips in-between LED diodes (not directly over them).



**NOTE:** Two clips per linear foot is recommended for secure fastening.



2. Mount clips to surface with screws.

**IMPORTANT:** Be careful not to over-tighten screws when using power tools.

### BL LIGHTING ILLUMINATE EVERYTHING

111 - 8838 Heather St. Vancouver, BC, Canada. V6P 3S8  
P: 1-804-874-4405 E: info@bllighting.com  
Copyright © BL INNOVATIVE LIGHTING. All Rights Reserved.

Solid State Lighting is sensitive to power fluctuations. Surge protection is highly recommended for all LED lighting products and should be on a dedicated circuit to protect against premature failure. Lack of surge protection may void your warranty.

Designed & Assembled in North America.

Specifications subject to change without notice. Please refer to our website at [bllighting.com](http://bllighting.com) for current technical data.

For more information, please download the BL LIGHTING catalog

[bllighting.com](http://bllighting.com)



# BL flexFORM D4

Flexible, Linear LED Strip Lighting  
Monochromatic, 24VDC, Constant Voltage

## INSTALLATION INSTRUCTIONS



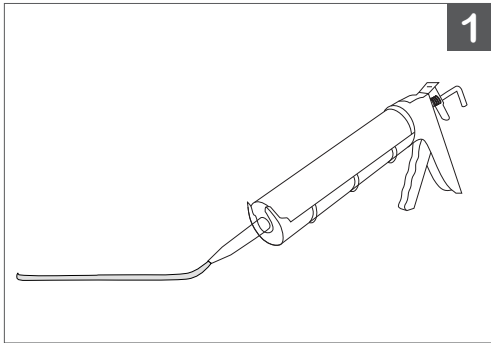
Please note that these instructions are guidelines only and in no way supersede any construction or installation standards. Local building and electrical codes should be consulted before installation.

### ATTENTION

- There is potential danger of electrical shock when operating electrical components.
- Make sure power is turned off before installation.
- Allow for heat dissipation and adequate ventilation.

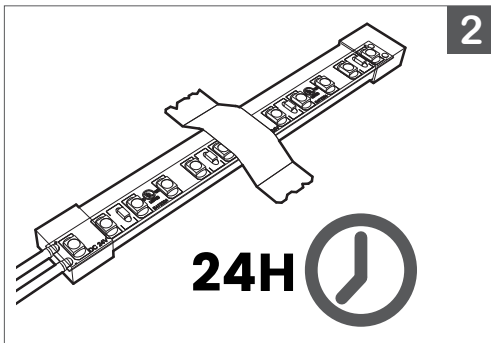
### ADHESIVE

Ideal for smooth and/or delicate surfaces



1. Evenly bead adhesive to surface at required length.

**IMPORTANT:** Ensure surface is clean and dry before applying adhesive.



2.

A. Firmly gel **BL flexFORM D4** into adhesive.  
B. Secure **BL flexFORM D4** into position with masking tape.  
Allow adhesive to cure (24 hours) before removing masking tape.

### BL LIGHTING ILLUMINATE EVERYTHING

111 - 8838 Heather St. Vancouver, BC, Canada. V6P 3S8  
P: 1-604-874-4405 E: info@bllighting.com  
Copyright © BL INNOVATIVE LIGHTING. All Rights Reserved.

Solid State Lighting is sensitive to power fluctuations. Surge protection is highly recommended for all LED lighting products and should be on a dedicated circuit to protect against premature failure. Lack of surge protection may void your warranty.

Designed & Assembled in North America.

Specifications subject to change without notice. Please refer to our website at [bllighting.com](http://bllighting.com) for current technical data.

For more information, please download the BL LIGHTING catalog

[bllighting.com](http://bllighting.com)



# BL flexFORM D4

Flexible, Linear LED Strip Lighting  
Monochromatic, 24VDC, Constant Voltage

## INSTALLATION INSTRUCTIONS

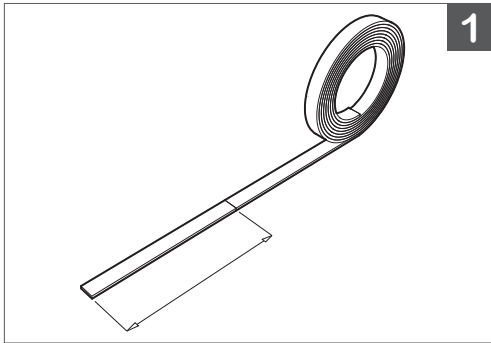


Please note that these instructions are guidelines only and in no way supersede any construction or installation standards. Local building and electrical codes should be consulted before installation.

### ATTENTION

- There is potential danger of electrical shock when operating electrical components.
- Make sure power is turned off before installation.
- Allow for heat dissipation and adequate ventilation.

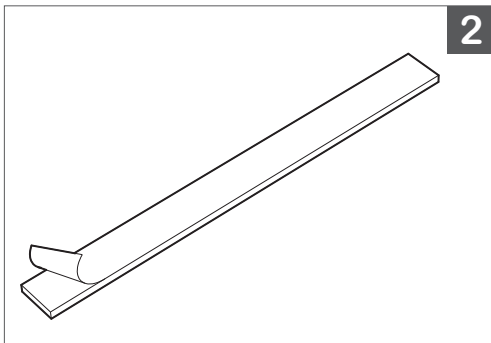
## DOUBLE-SIDED TAPE Ideal for temporary installations



1.

- A. Measure and cut required length of tape.
- B. Stick tape to desired surface.

**IMPORTANT:** Ensure surface is clean and dry before applying tape.



2.

- A. Remove protective layer from tape exposing adhesive.
- B. Center and firmly compress **BL flexFORM D4** to tape.

**IMPORTANT:** Double-Sided Tape is not suitable for applications where **BL flexFORM D4** is to be installed in a vertical or down-facing position.

### BL LIGHTING ILLUMINATE EVERYTHING

111 - 8838 Heather St. Vancouver, BC, Canada. V6P 3S8  
P: 1-804-874-4405 E: info@bllighting.com  
Copyright © BL INNOVATIVE LIGHTING. All Rights Reserved.

Solid State Lighting is sensitive to power fluctuations. Surge protection is highly recommended for all LED lighting products and should be on a dedicated circuit to protect against premature failure. Lack of surge protection may void your warranty.

Designed & Assembled in North America.

Specifications subject to change without notice. Please refer to our website at [bllighting.com](http://bllighting.com) for current technical data.

For more information, please download the BL LIGHTING catalog

[bllighting.com](http://bllighting.com)

