

BL fixFORM SF Series ST

Indoor Step Aluminium Extrusion
Designed for use with BL flexFORM D2 Series

INSTALLATION INSTRUCTIONS



Please note that these instructions are guidelines only and in no way supersede any construction or installation standards. Local building and electrical codes should be consulted before installation.

ATTENTION

- There is potential danger of electrical shock when operating electrical components.
- Make sure power is turned off before installation.
- Allow for heat dissipation and adequate ventilation.

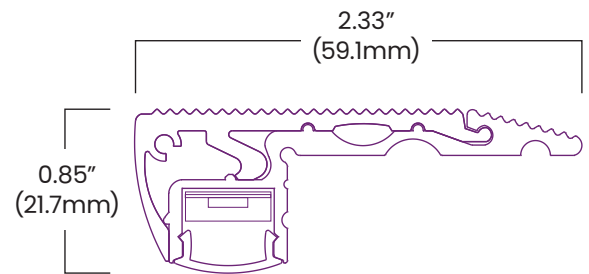
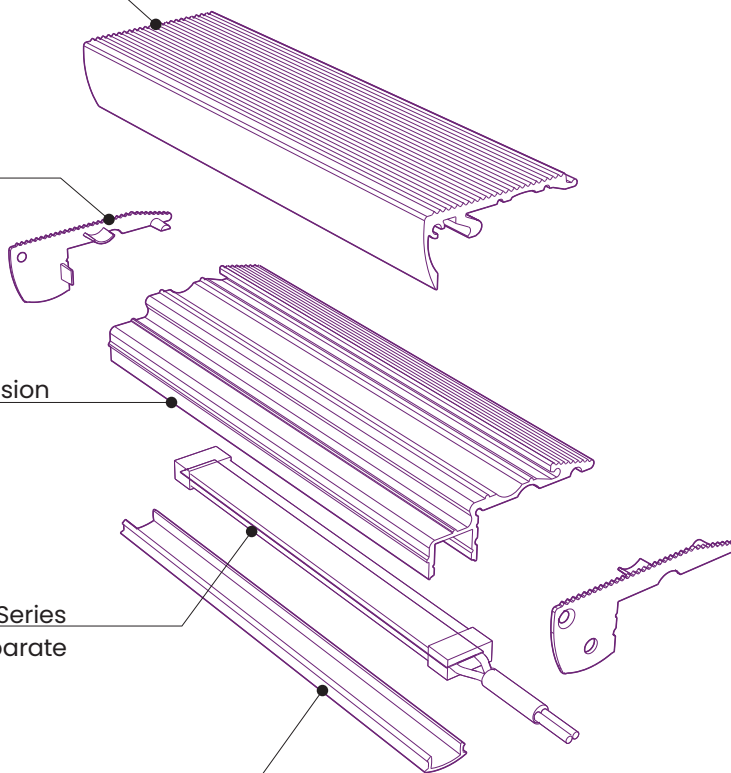
Step Extrusion
Top

End Cap

Step Extrusion
Bottom

flexFORM Series
Order Separate

Lens
Poly carbonate Optic
(75% Trans.)



BL LIGHTING
ILLUMINATE EVERYTHING

111 - 8838 Heather St. Vancouver, BC, Canada. V6P 3S8
P: 1-604-874-4405 E: info@bllighting.com
Copyright © BL INNOVATIVE LIGHTING. All Rights Reserved.

Solid State Lighting is sensitive to power fluctuations. Surge protection is highly recommended for all LED lighting products and should be on a dedicated circuit to protect against premature failure. Lack of surge protection may void your warranty.

Designed & Assembled in North America.

Specifications subject to change without notice. Please refer to our website at bllighting.com for current technical data.

For more information, please download the BL LIGHTING catalog

bllighting.com



BL fixFORM SF Series ST

Indoor Step Aluminium Extrusion
Designed for use with BL flexFORM D2 Series

INSTALLATION INSTRUCTIONS

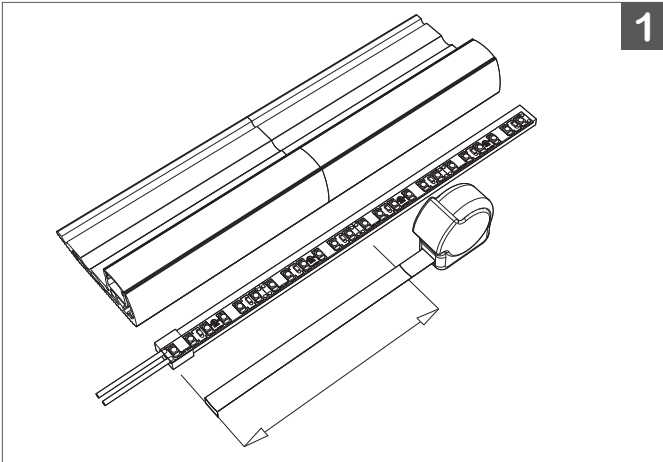


Please note that these instructions are guidelines only and in no way supersede any construction or installation standards. Local building and electrical codes should be consulted before installation.

ATTENTION

- There is potential danger of electrical shock when operating electrical components.
- Make sure power is turned off before installation.
- Allow for heat dissipation and adequate ventilation.

1



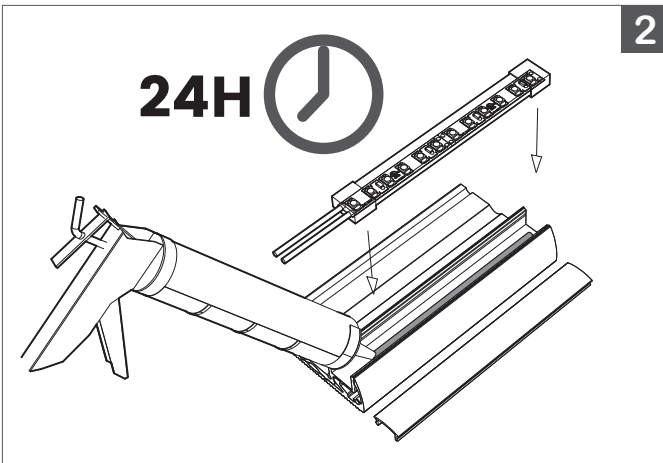
1.

- A. Measure **BL fixFORM SFST** in parallel with **BL flexFORM Series** to guarantee accurate coupling of components.
B. Cut **BL fixFORM** step light.

TIP: Cut **BL fixFORM SFST** lens and bottom extrusion simultaneously.

Cut top extrusion separately.

2



2.

- A. Evenly bead adhesive along surface of **BL fixFORM SFST** bottom extrusion track.
B. Mount **BL flexFORM SFST** into bottom extrusion track.

IMPORTANT: Ensure surface is clean and dry before applying adhesive.

Allow adhesive to cure for 24 hours before installation.

BL LIGHTING ILLUMINATE EVERYTHING

111 - 8838 Heather St. Vancouver, BC, Canada. V6P 3S8
P: 1-804-874-4405 E: info@bllighting.com
Copyright © BL INNOVATIVE LIGHTING. All Rights Reserved.

Solid State Lighting is sensitive to power fluctuations. Surge protection is highly recommended for all LED lighting products and should be on a dedicated circuit to protect against premature failure. Lack of surge protection may void your warranty.

Designed & Assembled in North America.

Specifications subject to change without notice. Please refer to our website at bllighting.com for current technical data.

For more information, please download the BL LIGHTING catalog

bllighting.com



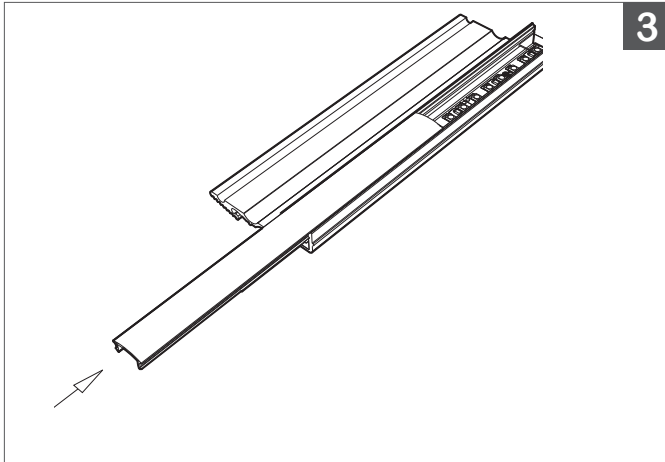


Please note that these instructions are guidelines only and in no way supersede any construction or installation standards. Local building and electrical codes should be consulted before installation.

ATTENTION

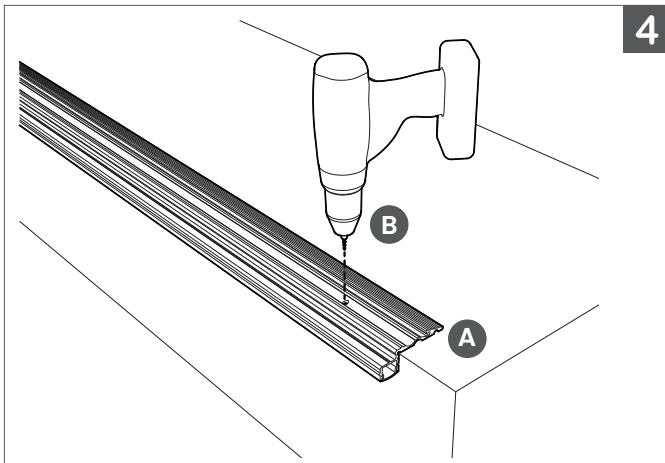
- There is potential danger of electrical shock when operating electrical components.
- Make sure power is turned off before installation.
- Allow for heat dissipation and adequate ventilation.

3



3. Insert the lens into the bottom extrusion.

4



4.

- A. Place the bottom extrusion track on to the step.
- B. Drill mounting holes into the track.

TIP: It is recommended to place a mounting hole near the edges of the extrusion.

Mounting holes should be no more than 2ft apart.



BL fixFORM SF Series ST

Indoor Step Aluminium Extrusion
Designed for use with BL flexFORM D2 Series

INSTALLATION INSTRUCTIONS

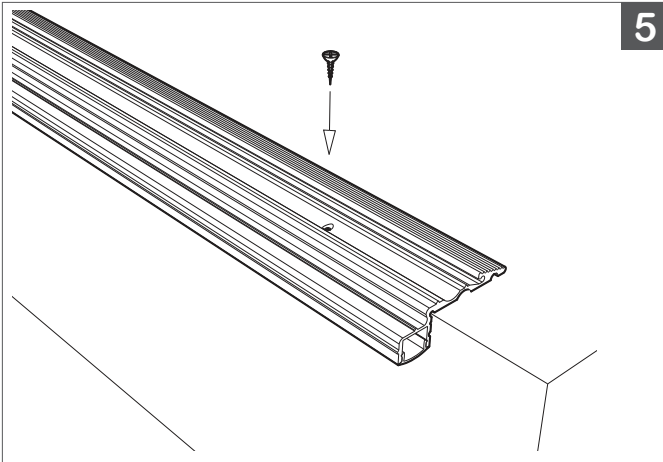


Please note that these instructions are guidelines only and in no way supersede any construction or installation standards. Local building and electrical codes should be consulted before installation.

ATTENTION

- There is potential danger of electrical shock when operating electrical components.
- Make sure power is turned off before installation.
- Allow for heat dissipation and adequate ventilation.

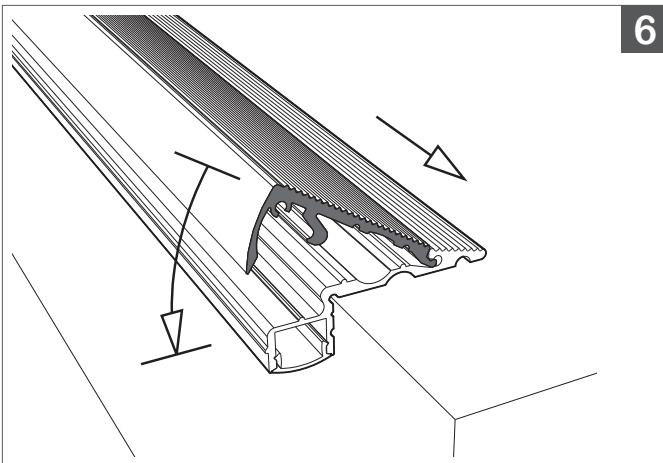
5



5.

Utilize flush set screws to anchor extrusion to floor. Use an appropriate method of mounting the screws, depending on the material the step is made of (concrete, wood etc.).

6



6.

A. Insert the edge of the top extrusion track into the matching groove of the bottom extrusion track.
B. Apply downward pressure onto the top extrusion track until it snaps into the bottom extrusion track.

BL LIGHTING ILLUMINATE EVERYTHING

111 - 8838 Heather St. Vancouver, BC, Canada. V6P 3S8
P: 1-804-874-4405 E: info@bllighting.com
Copyright © BL INNOVATIVE LIGHTING. All Rights Reserved.

Solid State Lighting is sensitive to power fluctuations. Surge protection is highly recommended for all LED lighting products and should be on a dedicated circuit to protect against premature failure. Lack of surge protection may void your warranty.

Designed & Assembled in North America.

Specifications subject to change without notice. Please refer to our website at bllighting.com for current technical data.

For more information, please download the BL LIGHTING catalog

bllighting.com



BL fixFORM SF Series ST

Indoor Step Aluminium Extrusion
Designed for use with BL flexFORM D2 Series

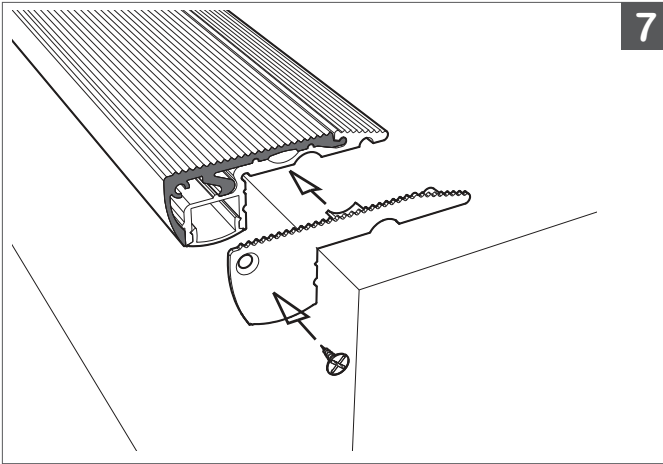
INSTALLATION INSTRUCTIONS



Please note that these instructions are guidelines only and in no way supersede any construction or installation standards. Local building and electrical codes should be consulted before installation.

ATTENTION

- There is potential danger of electrical shock when operating electrical components.
- Make sure power is turned off before installation.
- Allow for heat dissipation and adequate ventilation.



7.

- A. Feed the power leads through the designated hole on the end cap.
- B. Insert and fasten the end caps to the top extrusion track with screws.

BL LIGHTING ILLUMINATE EVERYTHING

111 - 8838 Heather St. Vancouver, BC, Canada. V6P 3S8
P: 1-804-874-4405 E: info@bllighting.com
Copyright © BL INNOVATIVE LIGHTING. All Rights Reserved.

Solid State Lighting is sensitive to power fluctuations. Surge protection is highly recommended for all LED lighting products and should be on a dedicated circuit to protect against premature failure. Lack of surge protection may void your warranty.

Designed & Assembled in North America.

Specifications subject to change without notice. Please refer to our website at bllighting.com for current technical data.

For more information, please download the BL LIGHTING catalog

bllighting.com

