

# BL flexFORM SPK

Indoor Low-Voltage Suspension Kit  
Designed for use with BL fixFORM Series

## INSTALLATION INSTRUCTIONS

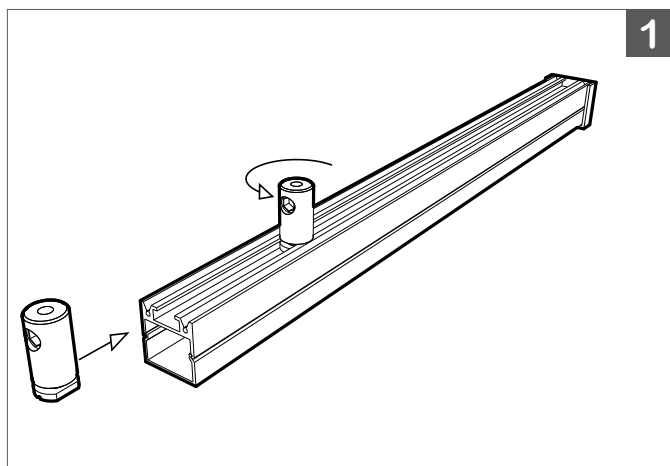


Please note that these instructions are guidelines only and in no way supersede any construction or installation standards. Local building and electrical codes should be consulted before installation.

### ATTENTION

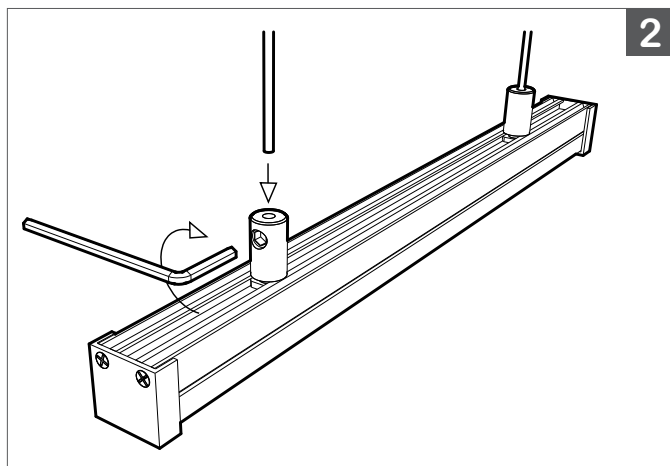
- There is potential danger of electrical shock when operating electrical components.
- Make sure power is turned off before installation.
- Allow for heat dissipation and adequate ventilation.

## SUSPENSION KIT



1.

- A. Align the hanger component with the groove in the back of the base track, and insert it.
- B. Twist and tighten the hanger when correctly positioned along the base track.



2.

- A. Insert the suspension cable into the top of the hanger.
- B. Tighten grip on the suspension by turning the hex bolt, on the side of the hanger, clock-wise.

**TIP:** A minimum of two hangers per section is recommended for a secure hold.

### \* Important!

Avoid over tightening the hex bolt to prevent short circuiting.  
Only tighten set screw until contact with wire plus 1/8 turn.

### BL LIGHTING ILLUMINATE EVERYTHING

111 - 8838 Heather St. Vancouver, BC, Canada. V6P 3S8  
P: 1-804-874-4405 E: info@bllighting.com  
Copyright © BL INNOVATIVE LIGHTING. All Rights Reserved.

Solid State Lighting is sensitive to power fluctuations. Surge protection is highly recommended for all LED lighting products and should be on a dedicated circuit to protect against premature failure. Lack of surge protection may void your warranty.

Designed & Assembled in North America.

Specifications subject to change without notice. Please refer to our website at [bllighting.com](http://bllighting.com) for current technical data.

For more information, please download the BL LIGHTING catalog

[bllighting.com](http://bllighting.com)



# BL flexFORM SPK

Indoor Low-Voltage Suspension Kit  
Designed for use with BL fixFORM Series

## INSTALLATION INSTRUCTIONS

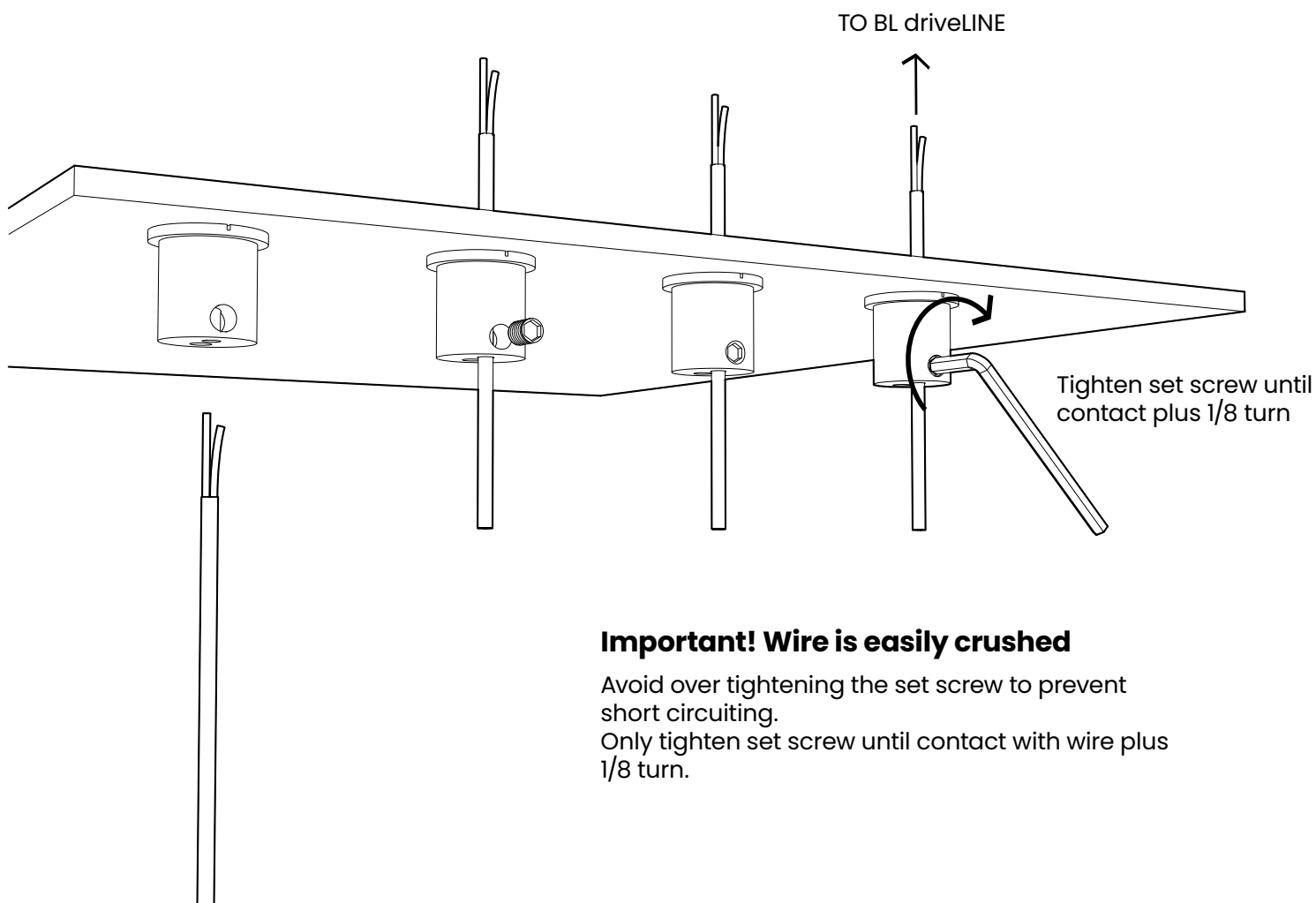


Please note that these instructions are guidelines only and in no way supersede any construction or installation standards. Local building and electrical codes should be consulted before installation.

### ATTENTION

- There is potential danger of electrical shock when operating electrical components.
- Make sure power is turned off before installation.
- Allow for heat dissipation and adequate ventilation.

## SUSPENSION KIT



### Important! Wire is easily crushed

Avoid over tightening the set screw to prevent short circuiting.  
Only tighten set screw until contact with wire plus 1/8 turn.

### BL LIGHTING ILLUMINATE EVERYTHING

111 - 8838 Heather St. Vancouver, BC, Canada. V6P 3S8  
P: 1-804-874-4405 E: info@blighting.com  
Copyright © BL INNOVATIVE LIGHTING. All Rights Reserved.

Solid State Lighting is sensitive to power fluctuations. Surge protection is highly recommended for all LED lighting products and should be on a dedicated circuit to protect against premature failure. Lack of surge protection may void your warranty.

Designed & Assembled in North America.

Specifications subject to change without notice. Please refer to our website at [blighting.com](http://blighting.com) for current technical data.

For more information, please download the BL LIGHTING catalog

[blighting.com](http://blighting.com)

