

BL fixFORM SF Square 1617

Indoor Surface Mount Aluminium Extrusion
Designed for use with BL flexFORM Series



BL fixFORM SF Square 1617 surface mount channel has a 3/4" (17.5mm) square shaped, low profile optic, allowing for creation of virtually infinite lines of cohesive light, in a variety of lumen packages. Black finish and Frosted Black optics are also available. The standard 6ft lengths are field cuttable, and easy to install with included surface mounting clips.

CLIENT	
PROJECT NAME	
LOCATION	
DATE	

Product Detail



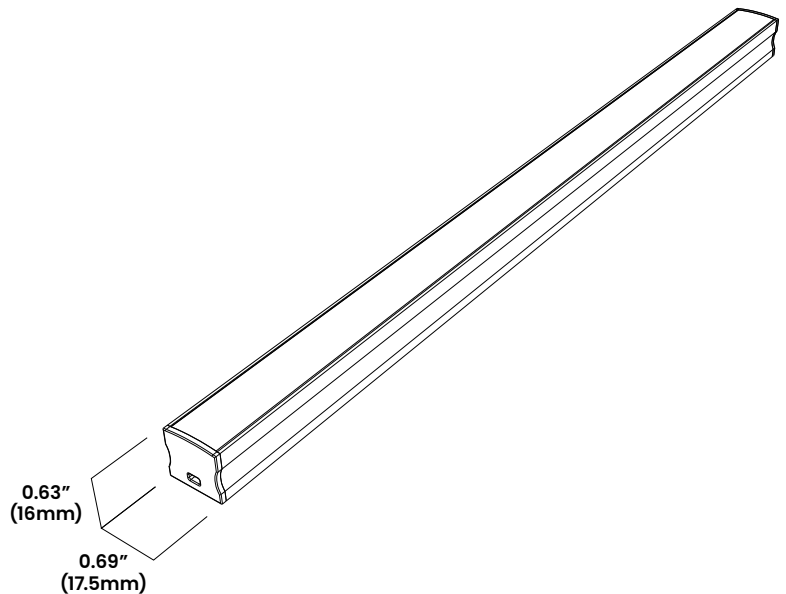
Mechanical	Housing Construction	Aluminium Enclosure Polycarbonate Optic (75% Trans.) Plastic End Caps
	Stock Length	6ft (1.83m)
	Minimum Cut Length	Based on BL flexFORM Increments
Components	BL-fixFORM-SF-SQ-1617-CH	Aluminium Base Track
	BL-fixFORM-SF-SQ-1617-LE	Polycarbonate Optic
	BL-fixFORM-SF-SQ-1617-EC	Plastic End Caps
	BL-fixFORM-SF-SQ-1617-CP	Plastic Mounting Clips
Environmental	Ingress Protection	IP20
	Certifications	cULus



Ordering

Product Code	Channel Finish	Lens Color
BL-fixFORM-SF-SQ-1617-IP20	Aluminum	Frosted White
	Black	Frosted Black

Dimensions



Custom channel colors are available, please consult BL Lighting for more information.

BL LIGHTING ILLUMINATE EVERYTHING

111 - 8838 Heather St. Vancouver, BC, Canada. V6P 3S8
P: 1-804-874-4405 E: info@blighting.com
Copyright © BL INNOVATIVE LIGHTING. All Rights Reserved.

Solid State Lighting is sensitive to power fluctuations. Surge protection is highly recommended for all LED lighting products and should be on a dedicated circuit to protect against premature failure. Lack of surge protection may void your warranty.

Designed & Assembled in North America.

Specifications subject to change without notice. Please refer to our website at blighting.com for current technical data.

For more information, please download the BL LIGHTING catalog

blighting.com

