

BL fixFORM SF Shallow 1709

Indoor Surface Mount Aluminium Extrusion
Designed for use with BL flexFORM Series



At just 0.32 inches (9mm) high, BL fixFORM SF Shallow 1709 is easily integrated into smaller spaces such as shelves, wardrobes, cabinets, and in coves; anywhere an inconspicuous surface mounted profile is desired. This sleek, low profile extrusion, is designed for integration with our BL flexFORM Series, providing a polished, professional finish, in a thin, elegant, silhouette.

Quick Ship

CLIENT	
PROJECT NAME	
LOCATION	
DATE	

Product Detail



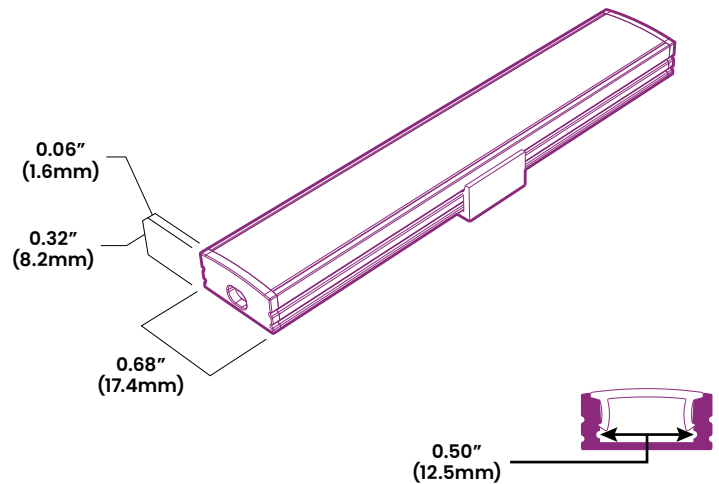
Mechanical	Housing Construction	Aluminum Channel Polycarbonate Optic (75% Trans.) Plastic End Caps
	Stock Length	8ft (2.44m)
	Minimum Cut Length	Based on BL flexFORM Increments
Components	BL-fixFORM-SF-SH-1709-CH	Aluminum Base Channel
	BL-fixFORM-SF-SH-1709-LE	Polycarbonate Optic
	BL-fixFORM-SF-SH-1709-EC	Plastic End Cap
	BL-fixFORM-SF-SH-1709-CP	Plastic Surface Mounting Clips
Environmental	Ingress Protection	IP20
	Certifications	cULus



Ordering

Product Code
BL-fixFORM-SF-SH-1709-FR-IP20

Dimensions



Custom channel colors are available, please consult BL Lighting for more information.

BL LIGHTING ILLUMINATE EVERYTHING

111 - 8838 Heather St. Vancouver, BC, Canada. V6P 3S8
P: 1-804-874-4405 E: info@bllighting.com
Copyright © BL INNOVATIVE LIGHTING. All Rights Reserved.

Solid State Lighting is sensitive to power fluctuations. Surge protection is highly recommended for all LED lighting products and should be on a dedicated circuit to protect against premature failure. Lack of surge protection may void your warranty.

Designed & Assembled in North America.

Specifications subject to change without notice. Please refer to our website at bllighting.com for current technical data.

For more information, please download the BL LIGHTING catalog

bllighting.com

