

# BL fixFORM SF Shallow 1507

Indoor Surface Mount Aluminium Extrusion  
Designed for use with BL flexFORM Series

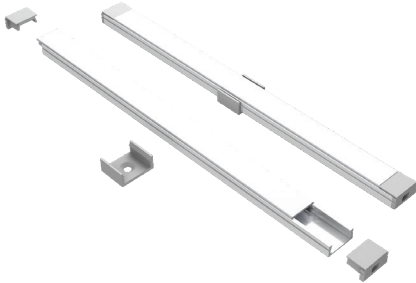


At just 0.28 inches (7mm) high, BL fixFORM SF Shallow 1507 is easily integrated into smaller spaces such as shelves, wardrobes, cabinets, and in coves; anywhere an inconspicuous surface mounted profile is desired. This sleek, low profile extrusion, is designed for integration with our BL flexFORM Series, providing a polished, professional finish, in a thin, elegant, silhouette.

**Quick Ship**

|              |  |
|--------------|--|
| CLIENT       |  |
| PROJECT NAME |  |
| LOCATION     |  |
| DATE         |  |

## Product Detail



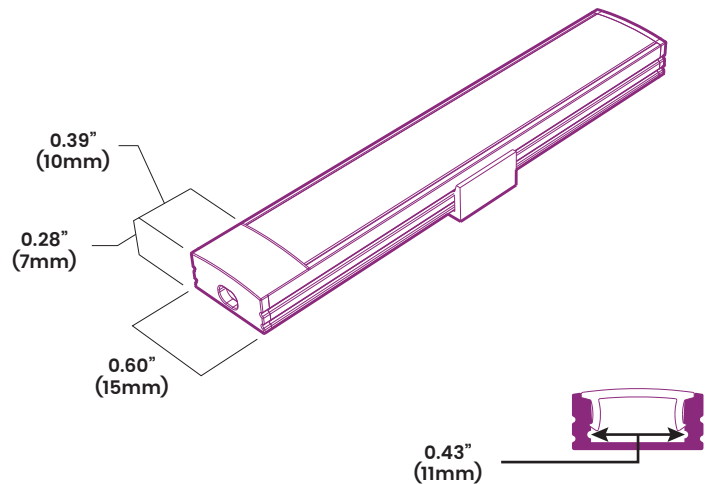
|                      |                          |  |
|----------------------|--------------------------|--|
| <b>Mechanical</b>    | Housing Construction     | Aluminum Channel<br>Polycarbonate Optic (75% Trans.)<br>Plastic End Caps |
|                      | Stock Length             | 8ft (2.44m)  |
|                      | Minimum Cut Length       | Based on BL flexFORM Increments  |
| <b>Components</b>    | BL-fixFORM-SF-SH-1407-CH | Aluminum Base Channel  |
|                      | BL-fixFORM-SF-SH-1407-LE | Polycarbonate Optic  |
|                      | BL-fixFORM-SF-SH-1407-EC | Plastic End Cap  |
|                      | BL-fixFORM-SF-SH-1407-CP | Plastic Surface Mounting Clips   |
| <b>Environmental</b> | Ingress Protection       | IP20   |
|                      | Certifications           | cULus  |



## Ordering

|                               |
|-------------------------------|
| Product Code                  |
| BL-fixFORM-SF-SH-1507-FR-IP20 |

## Dimensions



Custom channel colors are available, please consult BL Lighting for more information.

### BL LIGHTING ILLUMINATE EVERYTHING

111 - 8838 Heather St. Vancouver, BC, Canada. V6P 3S8  
P: 1-604-874-4405 E: info@blighting.com  
Copyright © BL INNOVATIVE LIGHTING. All Rights Reserved.

Solid State Lighting is sensitive to power fluctuations. Surge protection is highly recommended for all LED lighting products and should be on a dedicated circuit to protect against premature failure. Lack of surge protection may void your warranty.

Designed & Assembled in North America.

Specifications subject to change without notice. Please refer to our website at blighting.com for current technical data.

For more information, please download the BL LIGHTING catalog

[blighting.com](http://blighting.com)

