

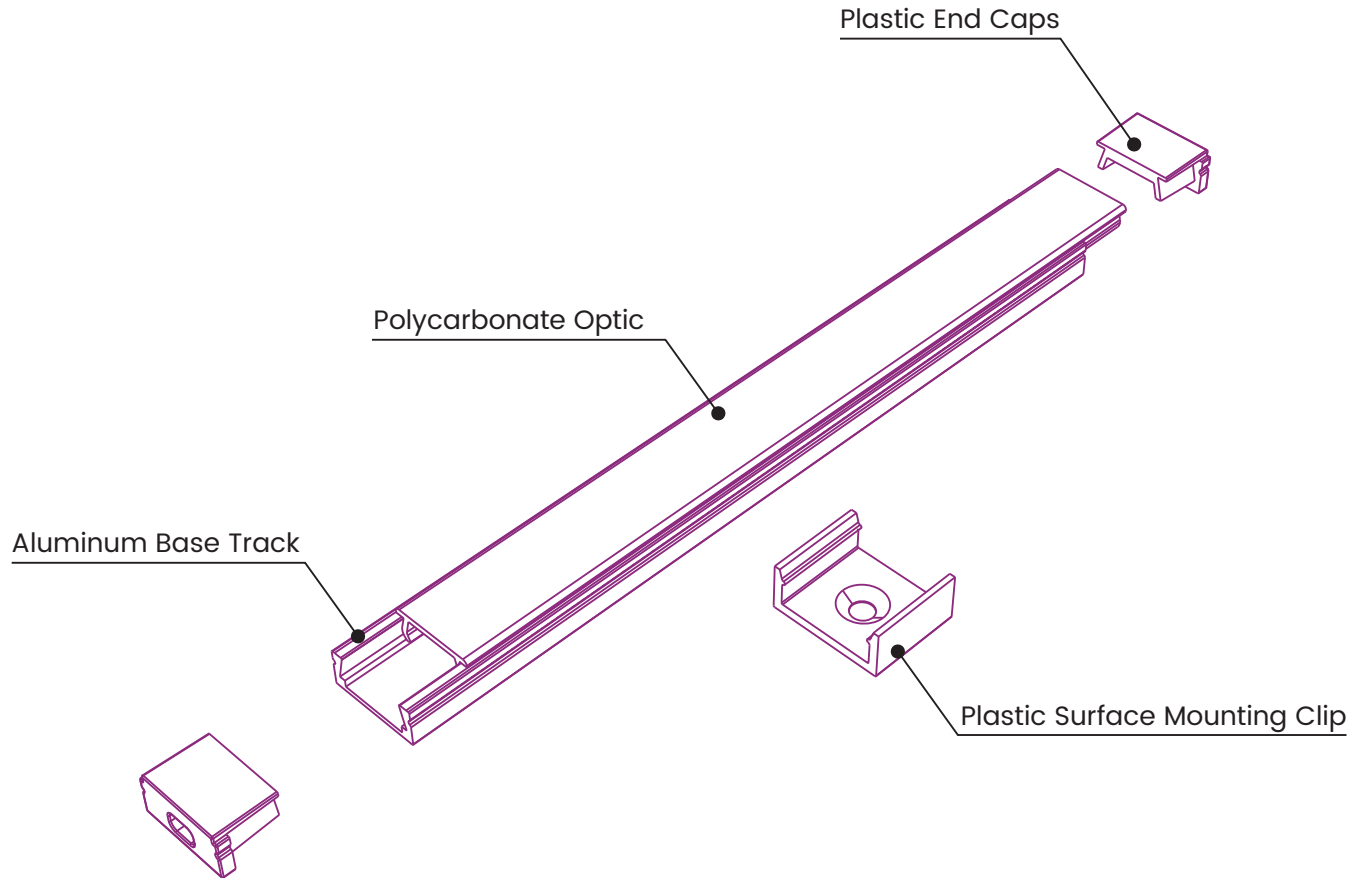
BL fixFORM SF Series

Indoor Surface Mount Aluminum Profile
Designed for use with **BL flexFORM** Series

Shallow 1507

Printed

Components:



Each 8ft length of LED Profile is shipped complete with End Caps and Mounting Clips.

PROJECT

CLIENT

TYPE

Solid State Lighting is sensitive to power fluctuations
Surge protection is highly recommended for all LED lighting products and should be on a designated circuit to protect against premature failure
Lack of surge protection may void your warranty

For more information, please download the
BL LIGHTING catalogue

BL LIGHTING. ILLUMINATE EVERYTHING

111 - 8838 Heather St. Vancouver, BC, Canada. V6P 3S8
P: 1-604-874-4405 E: info@blighting.com
BL INNOVATIVE LIGHTING. All Rights Reserved.

blighting.com

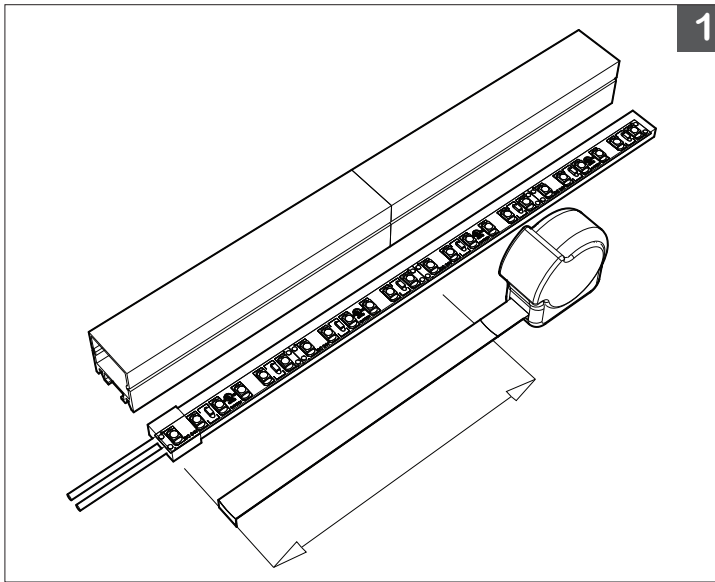


BL fixFORM SF Series

Indoor Surface Mount Aluminum Profile
Designed for use with **BL flexFORM** Series

Shallow 1507

Printed

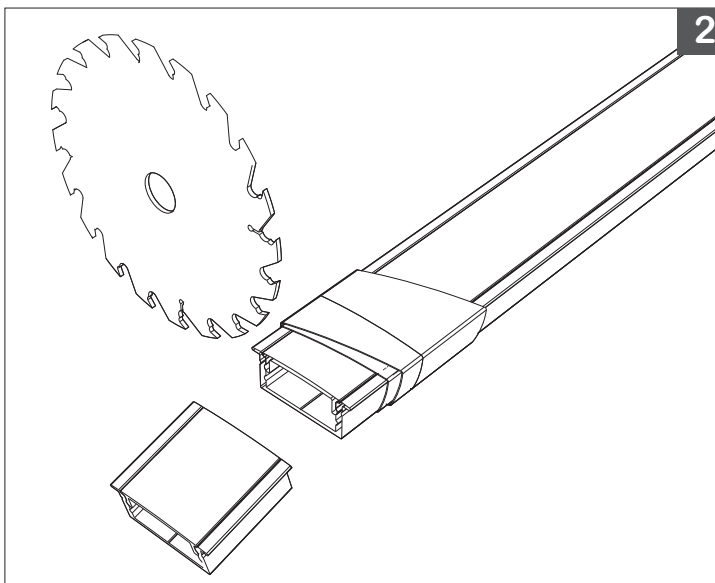


1, 2

Measure BL fixFORM in parallel with BL flexFORM for accurate coupling of components prior to cutting.

Use of a mechanical saw is recommended.

Tip: Secure BL fixFORM LED Aluminum Profile base track and lens together with tape, and cut with lens facing down.



PROJECT

CLIENT

TYPE

Solid State Lighting is sensitive to power fluctuations
Surge protection is highly recommended for all LED lighting products and should be on a designated circuit to protect against premature failure
Lack of surge protection may void your warranty

For more information, please download the
BL LIGHTING catalogue

BL LIGHTING. ILLUMINATE EVERYTHING

111 - 8838 Heather St. Vancouver, BC, Canada. V6P 3S8
P: 1-604-874-4405 E: info@blighting.com
BL INNOVATIVE LIGHTING. All Rights Reserved.

blighting.com

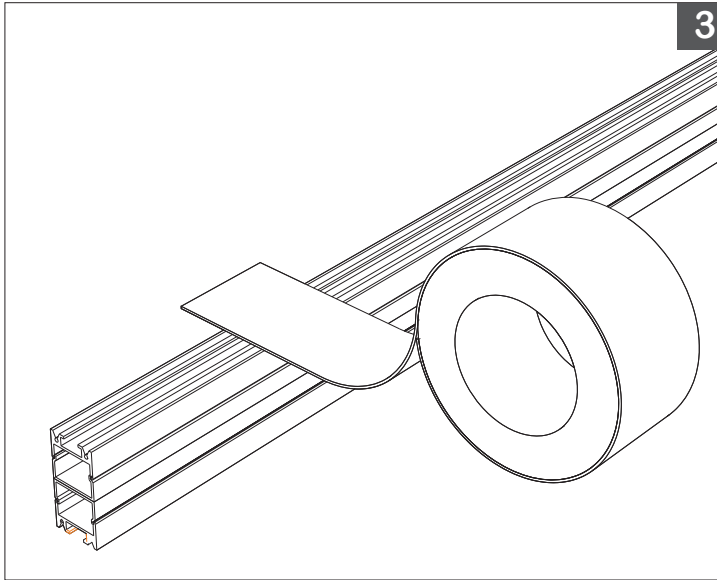


BL fixFORM SF Series

Indoor Surface Mount Aluminum Profile
Designed for use with **BL flexFORM** Series

Shallow 1507

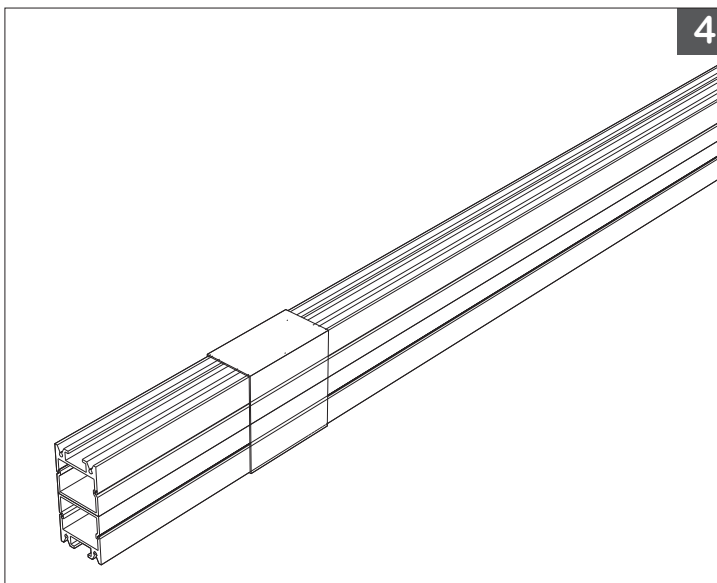
Printed



3, 4

For cutting multiple pieces to matching lengths, or to create 45° miter joints, prepare LED Profile by coupling Aluminum Profile base track with lens and place the lengths together, lens facing lens, and cut straight across or at the desired angle.

Tip: Securely wrap Lens and Aluminum Profile together with tape prior to cutting and initiate cut through backside of Aluminum Profile when cutting base track and lens simultaneously



PROJECT

CLIENT

TYPE

Solid State Lighting is sensitive to power fluctuations
Surge protection is highly recommended for all LED lighting products and should be on a designated circuit to protect against premature failure
Lack of surge protection may void your warranty

For more information, please download the
BL LIGHTING catalogue

BL LIGHTING. ILLUMINATE EVERYTHING

111 - 8838 Heather St. Vancouver, BC, Canada. V6P 3S8
P: 1-604-874-4405 E: info@blighting.com
BL INNOVATIVE LIGHTING. All Rights Reserved.

blighting.com

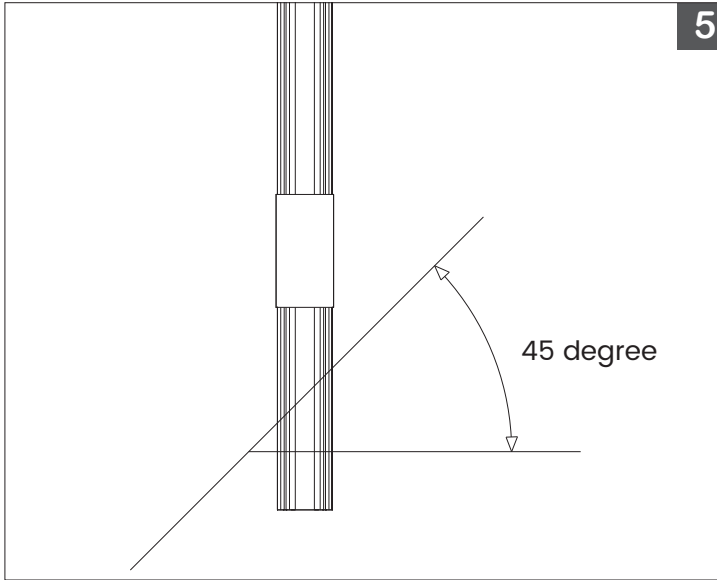


BL fixFORM SF Series

Indoor Surface Mount Aluminum Profile
Designed for use with **BL flexFORM** Series

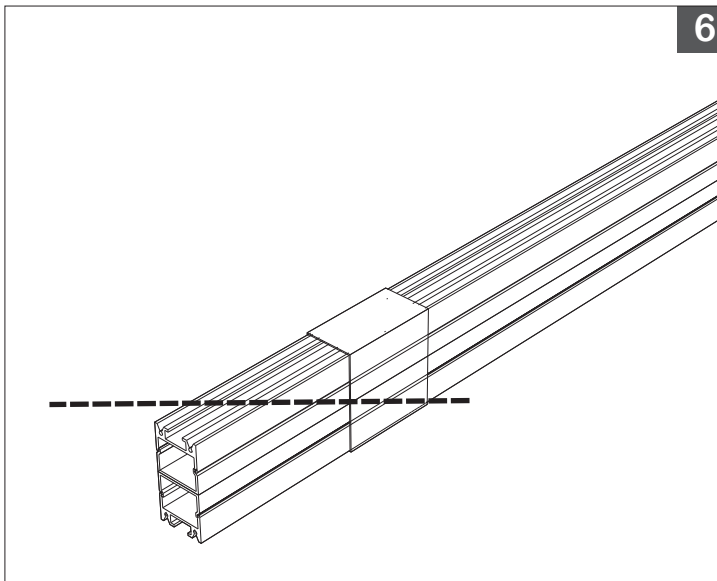
Shallow 1507

Printed



5,6

Measure desired length and start the cut from the top Base Track piece.



PROJECT

CLIENT

TYPE

Solid State Lighting is sensitive to power fluctuations
Surge protection is highly recommended for all LED lighting products and should be on a designated circuit to protect against premature failure
Lack of surge protection may void your warranty

For more information, please download the
BL LIGHTING catalogue

BL LIGHTING. ILLUMINATE EVERYTHING

111 - 8838 Heather St. Vancouver, BC, Canada. V6P 3S8
P: 1-604-874-4405 E: info@blighting.com
BL INNOVATIVE LIGHTING. All Rights Reserved.

blighting.com

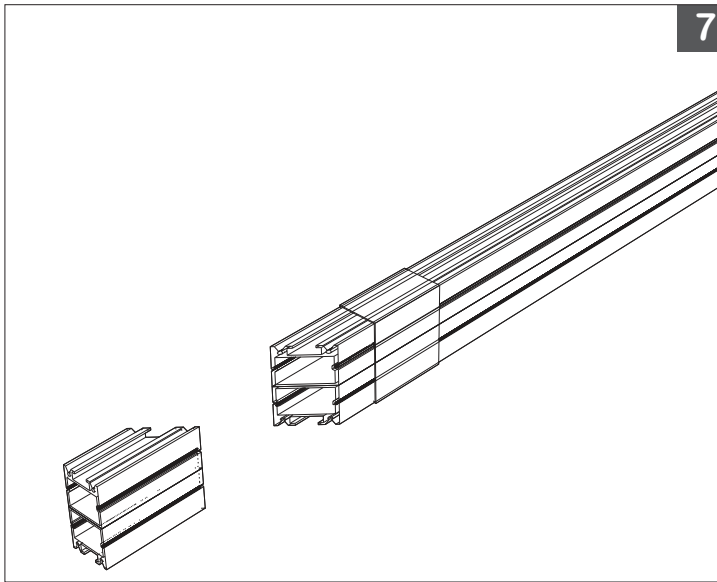


BL fixFORM SF Series

Indoor Surface Mount Aluminum Profile
Designed for use with **BL flexFORM** Series

Shallow 1507

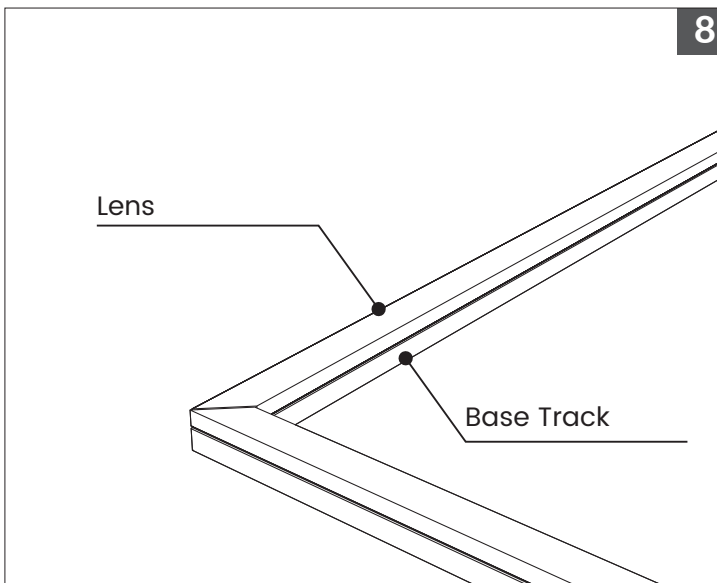
Printed



7

7,8

Join both pieces together with the Optical Lens facing up for a perfect 45° corner piece.



8

PROJECT

CLIENT

TYPE

Solid State Lighting is sensitive to power fluctuations
Surge protection is highly recommended for all LED lighting products and should be on a designated circuit to protect against premature failure
Lack of surge protection may void your warranty

For more information, please download the
BL LIGHTING catalogue

BL LIGHTING. ILLUMINATE EVERYTHING

111 - 8838 Heather St. Vancouver, BC, Canada. V6P 3S8
P: 1-604-874-4405 E: info@blighting.com
BL INNOVATIVE LIGHTING. All Rights Reserved.

blighting.com

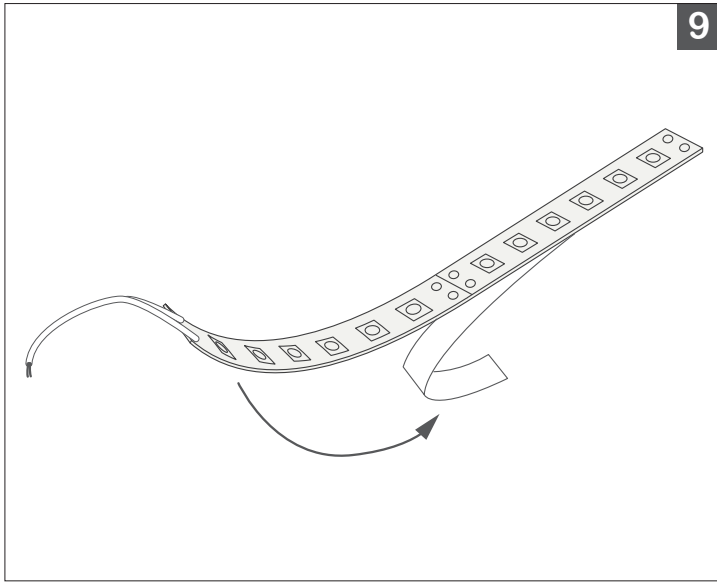


BL fixFORM SF Series

Indoor Surface Mount Aluminum Profile
Designed for use with **BL flexFORM** Series

Shallow 1507

Printed

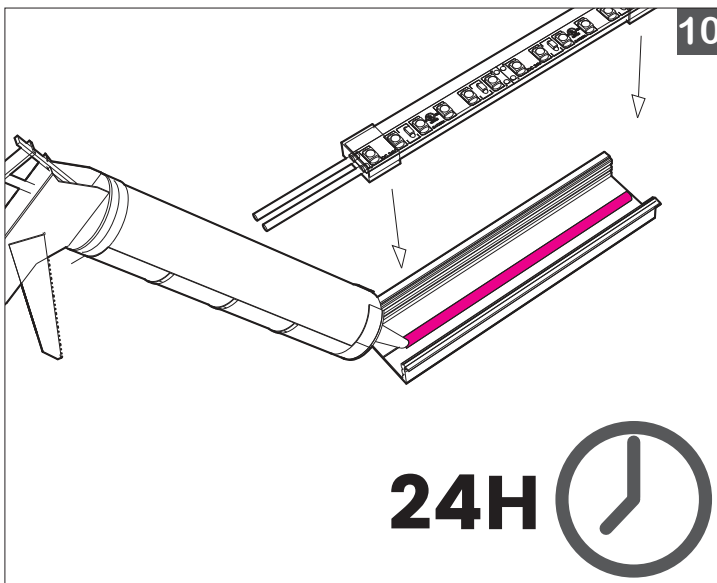


9,10

Remove the double-sided tape backing from the LED, if applicable, and secure the BL flexFORM LED strip into the Base Track using the adhesive provided on the LED, and/or adhesive tube.

Evenly bead adhesive along the inner surface of the BL fixFORM LED Profile base track.

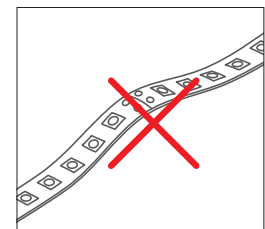
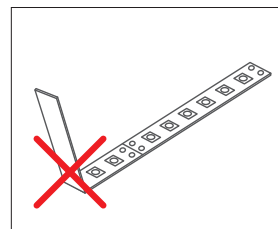
IMPORTANT: Mounting surface must be clean and dry. To ensure a long lasting bond, it is recommended to run an alcohol wipe along the inside of the base track, and allow it to dry completely prior to securing BL flexFORM LED into place.



10

IMPORTANT: Allow adequate time for adhesive to cure, a minimum 24 hours is recommended. Refer to the instruction on the specific adhesive being used for guidance.

TIP: If needed, painter's tape or masking tape may be taped temporarily over BL flexFORM LED to hold it in place on base track during cure time.



PROJECT

CLIENT

TYPE

Solid State Lighting is sensitive to power fluctuations
Surge protection is highly recommended for all LED lighting products and should be on a designated circuit to protect against premature failure
Lack of surge protection may void your warranty

For more information, please download the
BL LIGHTING catalogue

BL LIGHTING. ILLUMINATE EVERYTHING

111 - 8838 Heather St. Vancouver, BC, Canada. V6P 3S8
P: 1-604-874-4405 E: info@blighting.com
BL INNOVATIVE LIGHTING. All Rights Reserved.

blighting.com

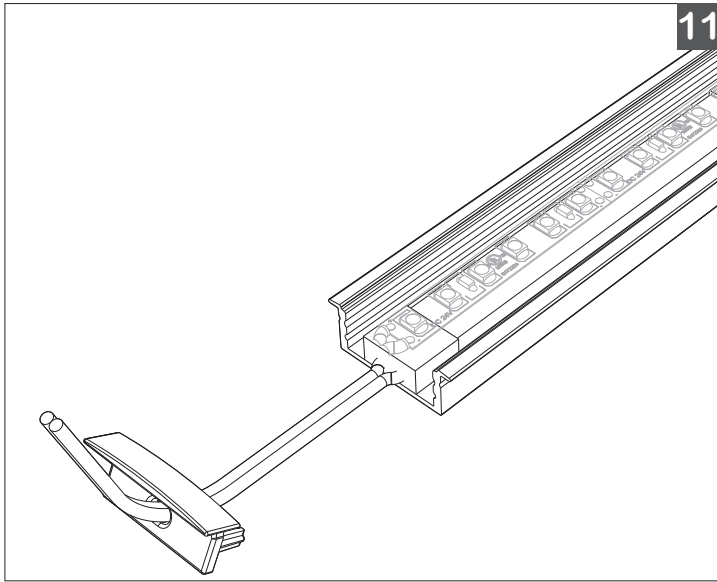


BL fixFORM SF Series

Indoor Surface Mount Aluminum Profile
Designed for use with **BL flexFORM** Series

Shallow 1507

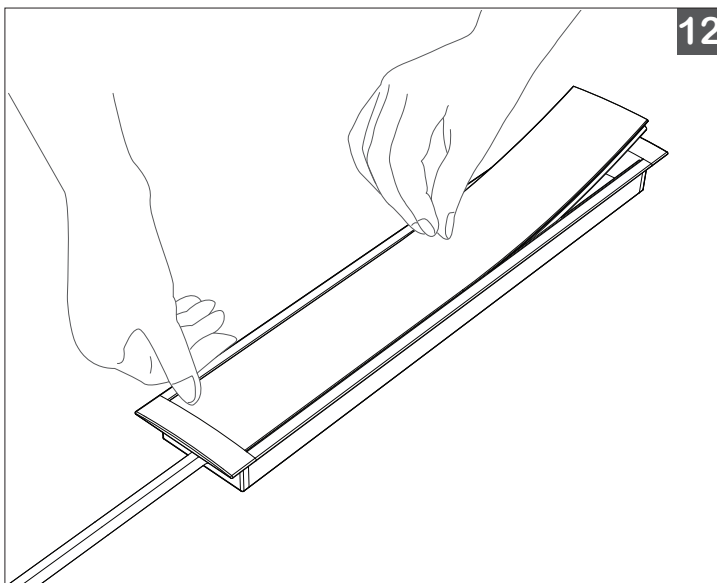
Printed



11

11.

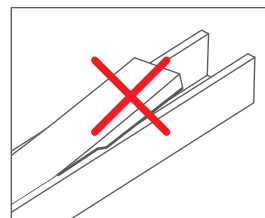
Gently guide the lead wire through the end caps.



12

12.

Put one corner first. Press in subsequent sections of the cover. Be careful not to bend or break the wings of the cover.



PROJECT

CLIENT

TYPE

Solid State Lighting is sensitive to power fluctuations
Surge protection is highly recommended for all LED lighting products and should be on a designated circuit to protect against premature failure
Lack of surge protection may void your warranty

For more information, please download the
BL LIGHTING catalogue

BL LIGHTING. ILLUMINATE EVERYTHING

111 - 8838 Heather St. Vancouver, BC, Canada. V6P 3S8
P: 1-604-874-4405 E: info@bllighting.com
BL INNOVATIVE LIGHTING. All Rights Reserved.

bllighting.com

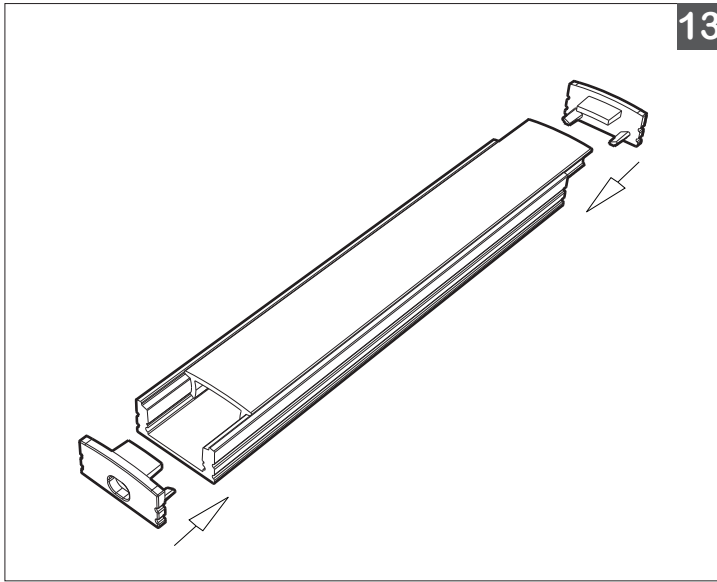


BL fixFORM SF Series

Indoor Surface Mount Aluminum Profile
Designed for use with **BL flexFORM** Series

Shallow 1507

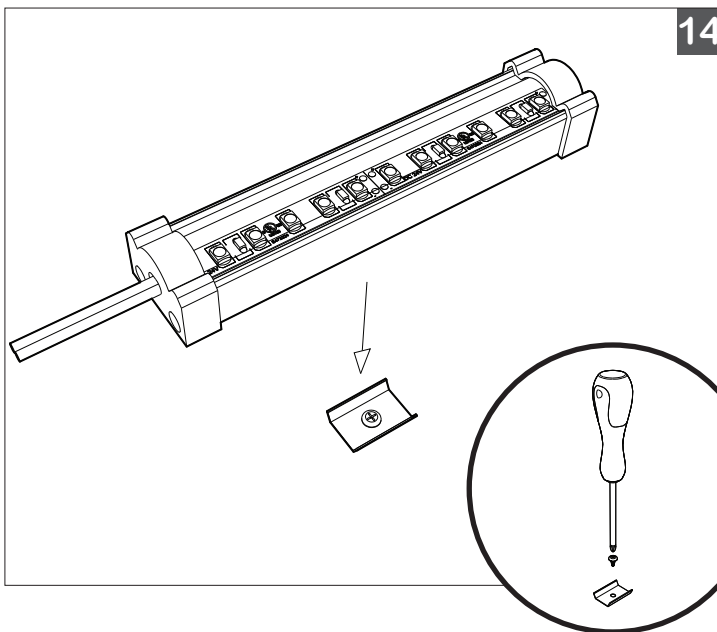
Printed



13

13.

Push fit the end caps onto the ends of the LED Profile, ensuring a snug fit.



14

14.

Attach the included Mounting Clips using fasteners appropriate for your mounting surface, which should be clean, dry and smooth.

A minimum of 2 Mounting Clips are recommended per up to 6ft of LED Profile. More clips may be required depending on application and mounting orientation.

Snap the LED Profile into Mounting Clip.

PROJECT

CLIENT

TYPE

Solid State Lighting is sensitive to power fluctuations
Surge protection is highly recommended for all LED lighting products and should be on a designated circuit to protect against premature failure
Lack of surge protection may void your warranty

For more information, please download the
BL LIGHTING catalogue

BL LIGHTING. ILLUMINATE EVERYTHING

111 - 8838 Heather St. Vancouver, BC, Canada. V6P 3S8
P: 1-604-874-4405 E: info@bllighting.com
BL INNOVATIVE LIGHTING. All Rights Reserved.

bllighting.com

