

# BL fixFORM SF Narrow Square

Indoor Surface Mount Aluminium Extrusion  
Designed for use with BL flexFORM N Series

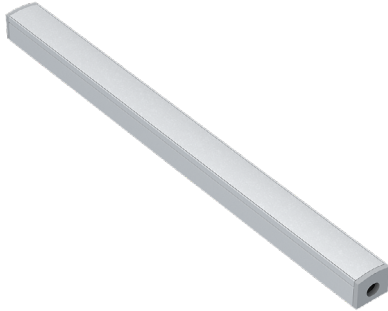


BL fixFORM SF Narrow Square is designed exclusively to house the for the slim and powerful BL flexFORM N Series LED, this ultra-thin and light profile is slender and narrow enough to fit into the tightest spaces at a mere 26/64" (9.92mm) wide and just 21/64" (8.35mm) high. The shatter-resistant narrow polycarbonate diffuser lens renders a beautifully sleek, bright line of dot-free lighting and is a perfect choice for narrow surface applications where homogenous lighting is desired.

**Quick Ship**

CLIENT	
PROJECT NAME	
LOCATION	
DATE	

## Product Detail

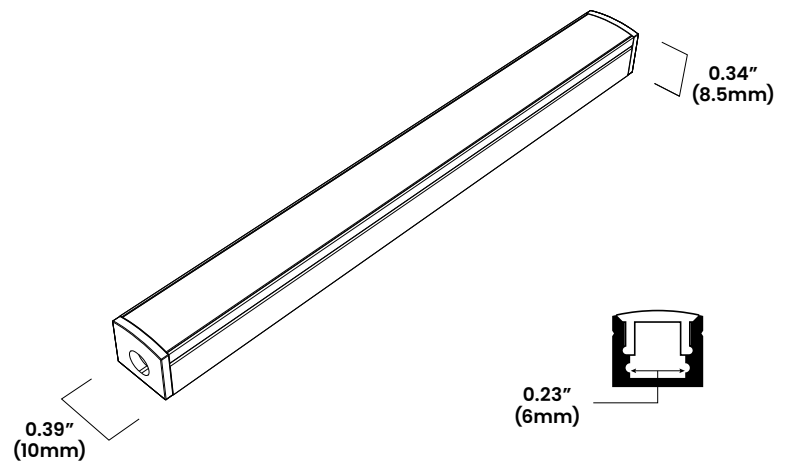


<b>Mechanical</b>	Housing Construction	Aluminum Enclosure Polycarbonate Optic (75% Trans.) Plastic Caps
	Stock Length	8ft (2.44m)
	Minimum Cut Length	Based on BL flexFORM Increments
<b>Components</b>	BL-fixFORM-SF-NSC-1008-CH	Aluminum Base Track
	BL-fixFORM-SF-NSC-1008-LE	Polycarbonate Optic
	BL-fixFORM-SF-NSC-1008-EC	Plastic End Cap
	BL-fixFORM-SF-NSC-1008-CP	Plastic Mounting Clips
<b>Environmental</b>	Ingress Protection	IP20
	Certifications	cULus

## Ordering

Product Code
BL-fixFORM-SF-NS-1008-FR-IP20

## Dimensions



### BL LIGHTING ILLUMINATE EVERYTHING

111 - 8838 Heather St. Vancouver, BC, Canada. V6P 3S8  
P: 1-804-874-4405 E: info@bllighting.com  
Copyright © BL INNOVATIVE LIGHTING. All Rights Reserved.

Solid State Lighting is sensitive to power fluctuations. Surge protection is highly recommended for all LED lighting products and should be on a dedicated circuit to protect against premature failure. Lack of surge protection may void your warranty.

Designed & Assembled in North America.

Specifications subject to change without notice. Please refer to our website at bllighting.com for current technical data.

For more information, please download the BL LIGHTING catalog

[bllighting.com](http://bllighting.com)

