

# BL fixFORM SF Double Side 45

Indoor Surface Mount Aluminium Extrusion  
Designed for use with BL flexFORM Series



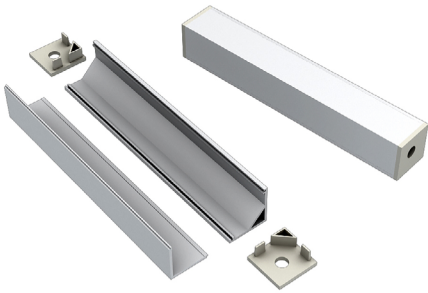
BL fixFORM SF Double Side 45 channel is ideal for surface corner mount LED lighting projects, with a unique V-shaped 90°, vertical angled lens optic. BL fixFORM LED fits nicely inside the extrusion, seated at a 45° angle, providing even beam distribution, and dot free illumination along both sides of the double sided lens. The standard 6ft lengths are field cuttable, and easy to install with included surface mounting clips.

Quick Ship

45° Angle

CLIENT	
PROJECT NAME	
LOCATION	
DATE	

## Product Detail



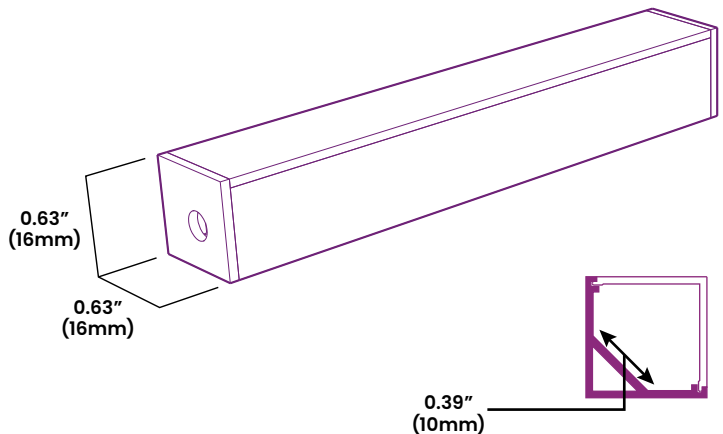
<b>Mechanical</b>	Housing Construction	Aluminum Enclosure Polycarbonate Optic (75% Trans.) Plastic End Caps
	Stock Length	6ft (1.83m)
	Minimum Cut Length	Based on BL flexFORM Increments
<b>Components</b>	BL-fixFORM-SF-DS45-1919-CH	Aluminum Base Track
	BL-fixFORM-SF-DS45-1919-LE	Polycarbonate Optic
	BL-fixFORM-SF-DS45-1919-EC	Plastic End Cap
	BL-fixFORM-SF-DS45-1919-CP	Plastic Surface Mounting Clips
<b>Environmental</b>	Ingress Protection	IP20
	Certifications	cULus



## Ordering

Product Code
BL-fixFORM-SF-DS45-1919-FR-IP20

## Dimensions



### BL LIGHTING ILLUMINATE EVERYTHING

111 - 8838 Heather St. Vancouver, BC, Canada. V6P 3S8  
P: 1-804-874-4405 E: info@bllighting.com  
Copyright © BL INNOVATIVE LIGHTING. All Rights Reserved.

Solid State Lighting is sensitive to power fluctuations. Surge protection is highly recommended for all LED lighting products and should be on a dedicated circuit to protect against premature failure. Lack of surge protection may void your warranty.

Designed & Assembled in North America.

Specifications subject to change without notice. Please refer to our website at bllighting.com for current technical data.

For more information, please download the BL LIGHTING catalog

bllighting.com

