

# BL fixFORM SF Contour 1905

Flexible Surface Mount Aluminium Extrusion  
Designed for use with BL flexFORM Series



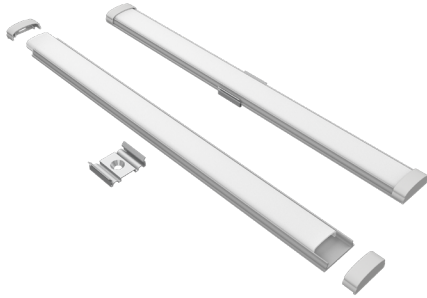
BL fixFORM SF Contour 1905 is ideal for use on curved surfaces. The innovative, bendable extrusion is easily surface mounted over curves and contours with your choice of steel mounting clips or double sided tape. Create sleek lines of beautiful light with this flexible and super low profile for a professional, polished lighting effect. Curvy, stylish and compatible with BL flexFORM LED, to deliver illumination in a wide variety of lumen packages.

Ultra Low Profile Design

Vertical Bend

|              |  |
|--------------|--|
| CLIENT       |  |
| PROJECT NAME |  |
| LOCATION     |  |
| DATE         |  |

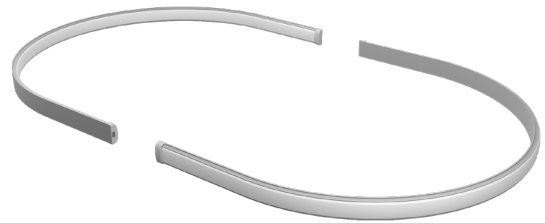
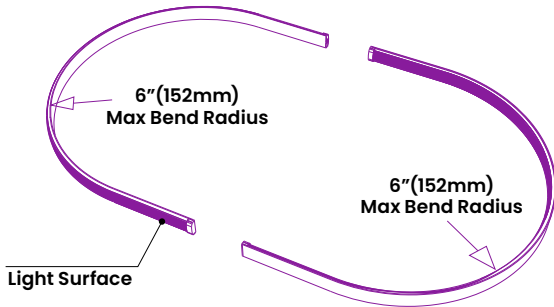
## Product Detail



|                      |                          |  |
|----------------------|--------------------------|--|
| <b>Mechanical</b>    | Housing Construction     | Aluminum Channel<br>Polycarbonate Optic (75% Trans.)<br>Plastic End Caps<br>Steel Surface Mounting Clips |
|                      | Stock Length             | 6ft (1.83m)  |
|                      | Minimum Cut Length       | Based on BL flexFORM Increments  |
| <b>Components</b>    | BL-fixFORM-SF-CR-1905-CH | Aluminum Base Track  |
|                      | BL-fixFORM-SF-CR-1905-LE | Polycarbonate Optic  |
|                      | BL-fixFORM-SF-CR-1905-EC | Plastic End Caps   |
|                      | BL-fixFORM-SF-CR-1905-CP | Steel Surface Mounting Clips   |
| <b>Environmental</b> | Ingress Protection       | IP20   |
|                      | Certifications           | cULus  |



## Bend Radius and Bend Orientation

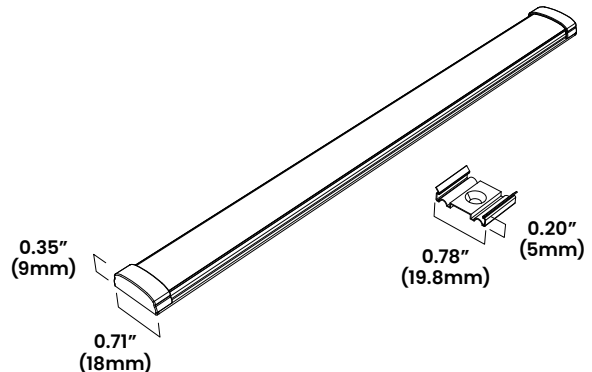


BL fixFORM SF Contour 1905 bends vertically

## Ordering

|                               |
|-------------------------------|
| Product Code                  |
| BL-fixFORM-SF-CR-1905-FR-IP20 |

## Dimensions



### BL LIGHTING ILLUMINATE EVERYTHING

111 - 8838 Heather St. Vancouver, BC, Canada. V6P 3S8  
P: 1-804-874-4405 E: info@bllighting.com  
Copyright © BL INNOVATIVE LIGHTING. All Rights Reserved.

Solid State Lighting is sensitive to power fluctuations. Surge protection is highly recommended for all LED lighting products and should be on a dedicated circuit to protect against premature failure. Lack of surge protection may void your warranty.

Designed & Assembled in North America.

Specifications subject to change without notice. Please refer to our website at [bllighting.com](http://bllighting.com) for current technical data.

For more information, please download the BL LIGHTING catalog

[bllighting.com](http://bllighting.com)

