

**BL fixFORM SF Series**

Flexible Surface Mount Aluminum Profile  
Designed for use with **BL flexFORM** Series

**Contour 1905**

Printed

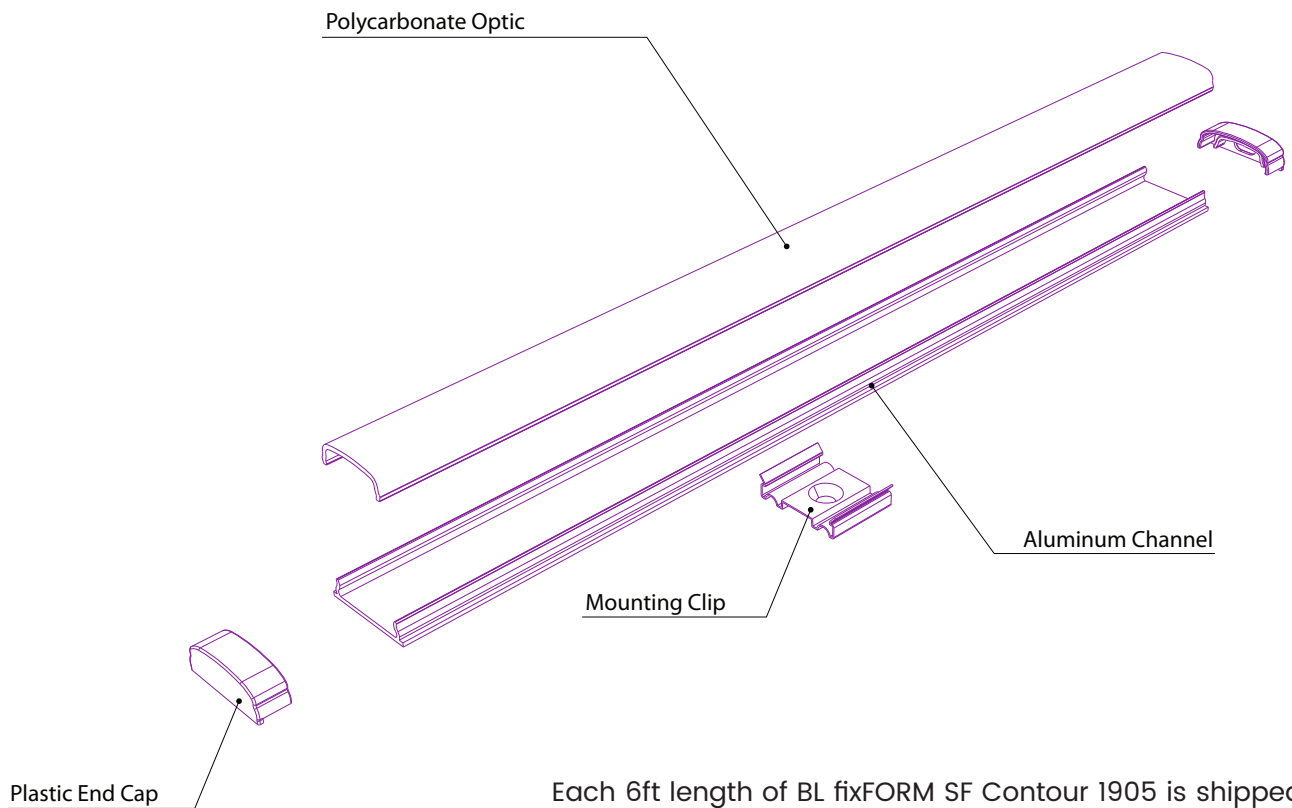


Please note that these instructions are guidelines only and in no way supersede any construction or installation standards.

**ATTENTION**

- There is potential danger of electrical shock when operating electrical components.
- Ensure power is turned OFF prior to beginning installation or maintenance.
- Luminaires must be installed by a licensed Electrician and in accordance with all National and Local Electrical and Building codes.

**Components:**



Each 6ft length of BL fixFORM SF Contour 1905 is shipped complete with End Caps and Mounting Clips.

BL fixFORM SF Contour 1905 is lightweight and flexible, bending vertically for installation on both curved and flat surfaces.

Please read all instructions prior to beginning installation.

PROJECT

CLIENT

TYPE

Solid State Lighting is sensitive to power fluctuations  
Surge protection is highly recommended for all LED lighting products and should be on a designated circuit to protect against premature failure  
Lack of surge protection may void your warranty

For more information, please download the  
**BL LIGHTING** catalogue

**BL LIGHTING. ILLUMINATE EVERYTHING**

111 - 8838 Heather St. Vancouver, BC, Canada. V6P 3S8  
P: 1-604-874-4405 E: info@bllighting.com  
BL INNOVATIVE LIGHTING. All Rights Reserved.

**bllighting.com**

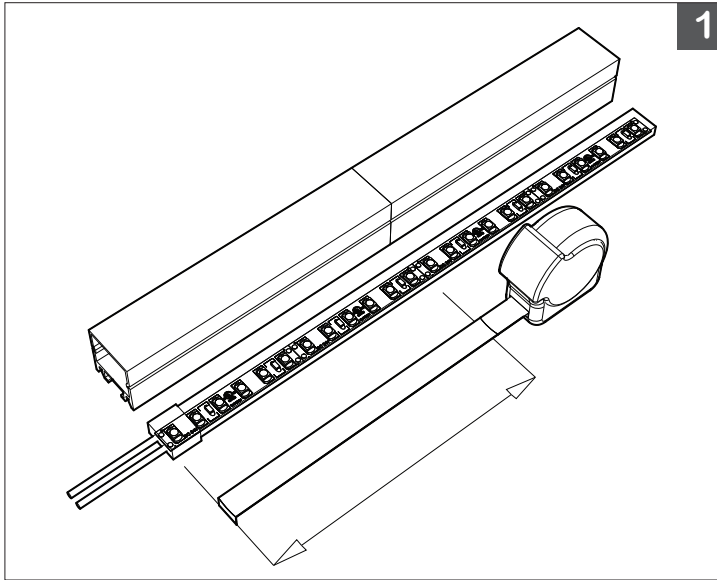


**BL fixFORM SF Series**

Flexible Surface Mount Aluminum Profile  
Designed for use with **BL flexFORM** Series

**Contour 1905**

Printed

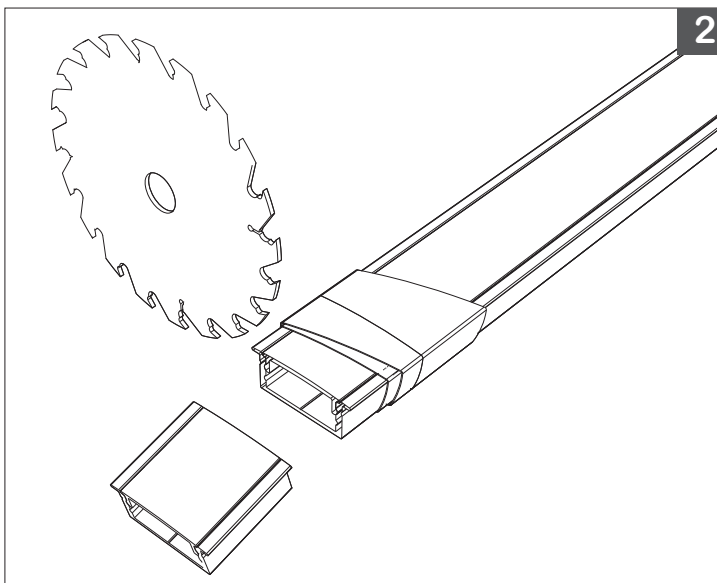


1, 2

Measure BL fixFORM in parallel with BL flexFORM for accurate coupling of components prior to cutting.

Use of a mechanical saw is recommended.

**Tip:** Secure BL fixFORM LED Aluminum Profile base track and lens together with tape, and cut with lens facing down.



PROJECT

CLIENT

TYPE

Solid State Lighting is sensitive to power fluctuations  
Surge protection is highly recommended for all LED lighting products and should be on a designated circuit to protect against premature failure  
Lack of surge protection may void your warranty

For more information, please download the  
**BL LIGHTING** catalogue

**BL LIGHTING. ILLUMINATE EVERYTHING**

111 - 8838 Heather St. Vancouver, BC, Canada. V6P 3S8  
P: 1-604-874-4405 E: info@blighting.com  
BL INNOVATIVE LIGHTING. All Rights Reserved.

**blighting.com**

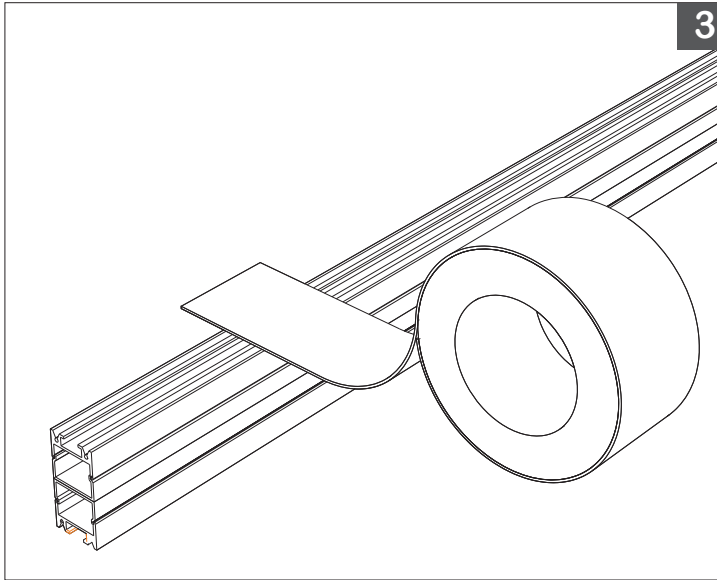


**BL fixFORM SF Series**

Flexible Surface Mount Aluminum Profile  
Designed for use with **BL flexFORM** Series

**Contour 1905**

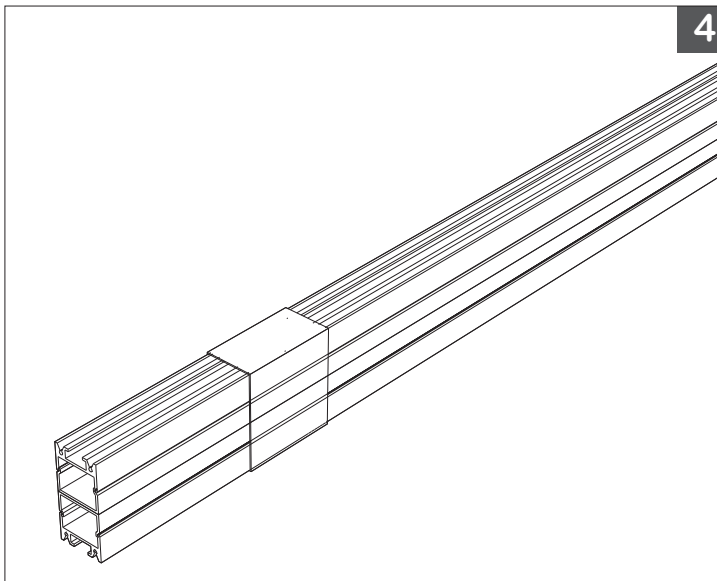
Printed



3, 4

For cutting multiple pieces to matching lengths, or to create 45° miter joints, prepare LED Profile by coupling Aluminum Profile base track with lens and place the lengths together, lens facing lens, and cut straight across or at the desired angle.

**Tip:** Securely wrap Lens and Aluminum Profile together with tape prior to cutting and initiate cut through backside of Aluminum Profile when cutting base track and lens simultaneously



PROJECT

CLIENT

TYPE

Solid State Lighting is sensitive to power fluctuations  
Surge protection is highly recommended for all LED lighting products and should be on a designated circuit to protect against premature failure  
Lack of surge protection may void your warranty

For more information, please download the  
**BL LIGHTING** catalogue

**BL LIGHTING. ILLUMINATE EVERYTHING**

111 - 8838 Heather St. Vancouver, BC, Canada. V6P 3S8  
P: 1-604-874-4405 E: info@blighting.com  
BL INNOVATIVE LIGHTING. All Rights Reserved.

**blighting.com**

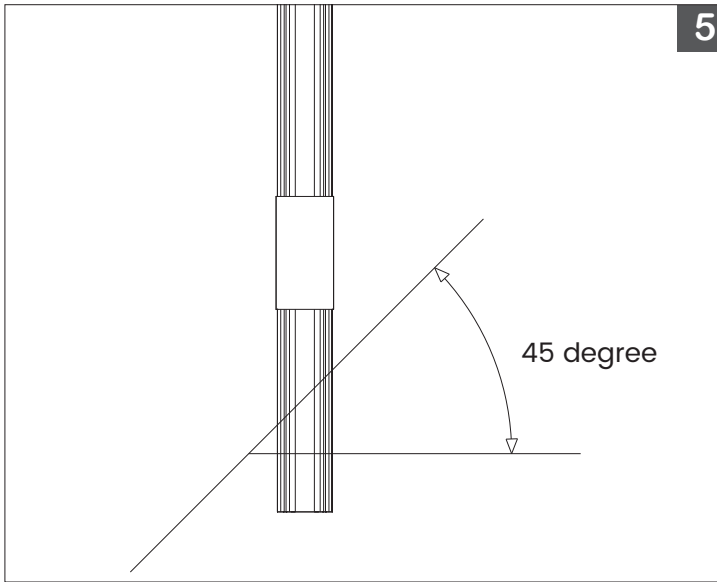


**BL fixFORM SF Series**

Flexible Surface Mount Aluminum Profile  
Designed for use with **BL flexFORM** Series

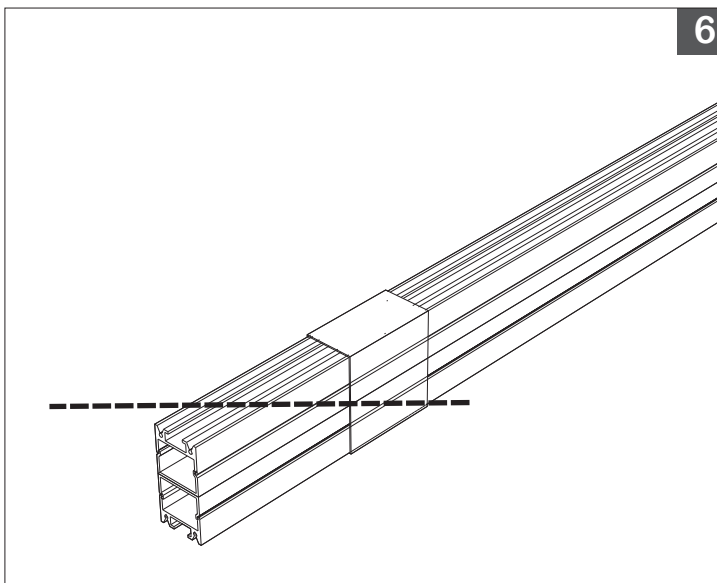
**Contour 1905**

Printed



5,6

Measure desired length and start the cut from the top Base Track piece.



PROJECT

CLIENT

TYPE

Solid State Lighting is sensitive to power fluctuations  
Surge protection is highly recommended for all LED lighting products and should be on a designated circuit to protect against premature failure  
Lack of surge protection may void your warranty

For more information, please download the  
**BL LIGHTING** catalogue

**BL LIGHTING. ILLUMINATE EVERYTHING**

111 - 8838 Heather St. Vancouver, BC, Canada. V6P 3S8  
P: 1-604-874-4405 E: info@blighting.com  
BL INNOVATIVE LIGHTING. All Rights Reserved.

[blighting.com](http://blighting.com)

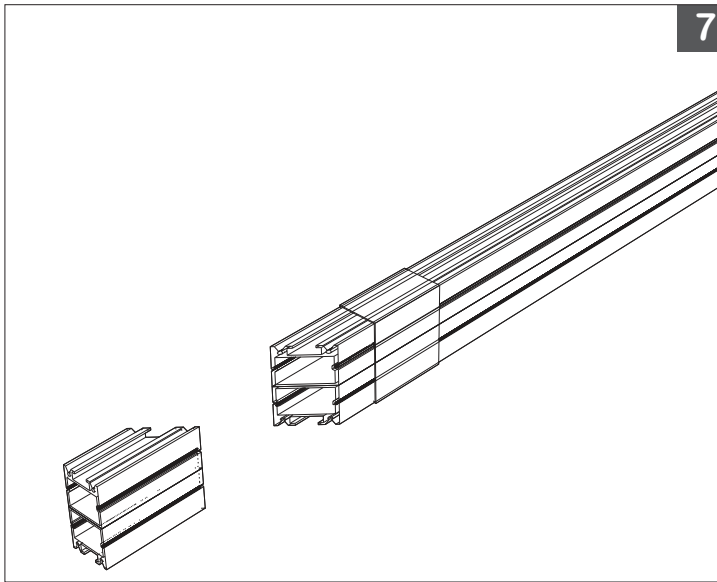


**BL fixFORM SF Series**

Flexible Surface Mount Aluminum Profile  
Designed for use with **BL flexFORM** Series

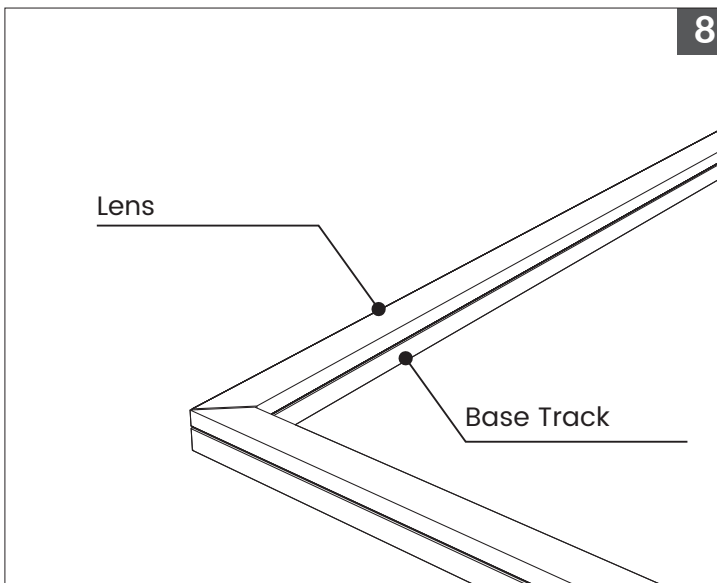
**Contour 1905**

Printed



7,8

Join both pieces together with the Optical Lens facing up for a perfect 45° corner piece.



PROJECT

CLIENT

TYPE

Solid State Lighting is sensitive to power fluctuations  
Surge protection is highly recommended for all LED lighting products and should be on a designated circuit to protect against premature failure  
Lack of surge protection may void your warranty

For more information, please download the  
**BL LIGHTING** catalogue

**BL LIGHTING. ILLUMINATE EVERYTHING**

111 - 8838 Heather St. Vancouver, BC, Canada. V6P 3S8  
P: 1-604-874-4405 E: info@blighting.com  
BL INNOVATIVE LIGHTING. All Rights Reserved.

**blighting.com**



**BL fixFORM SF Series**

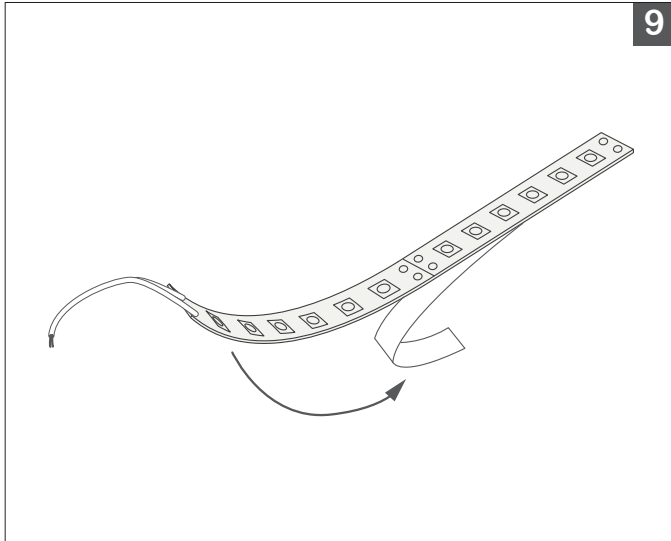
Flexible Surface Mount Aluminum Profile  
Designed for use with **BL flexFORM** Series

**Contour 1905**

Printed

**ASSEMBLING AND FIXING BL FLEXFORM LED TAPE INTO THE PROFILE**

Depending on application and mounting method chosen, BL flexFORM may be pre-assembled into the channel either prior to or after BL fixFORM is installed in place.

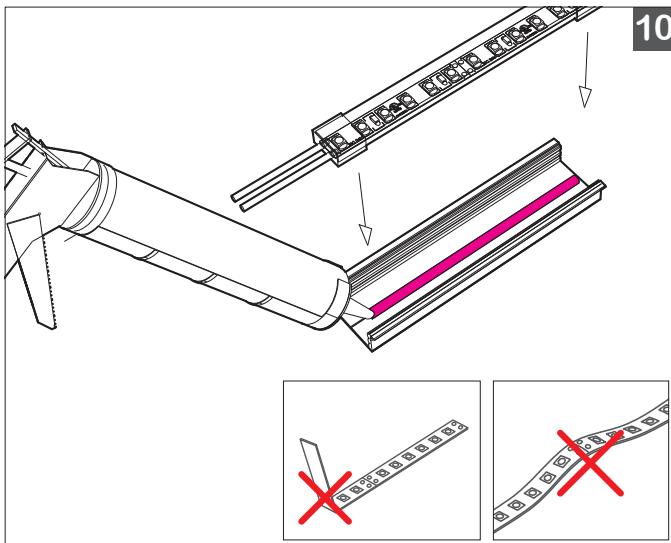


9,10

Remove the double-sided tape backing from the LED, if applicable, and secure the BL flexFORM LED strip into the Base Track using the adhesive provided on the LED, and/or adhesive tube\*.

Evenly bead BL flexFORM ADH5510 Adhesive along the inner surface of the BL fixFORM LED Profile base track.

**IMPORTANT:** Mounting surface must be clean and dry. To ensure a long lasting bond, it is recommended to run an alcohol wipe along the inside of the base track, and allow it to dry completely prior to securing BL flexFORM LED into place.



Secure BL flexFORM LED TAPE gently along the length, without bending or pulling up. Bonds should be held in place until adhesive has fixtured. Masking tape may be used along the length of the LED for this purpose.

Product should be allowed to develop full strength before subjecting to any service loads (typically 24-72 hours after assembly, depending on bond gap, materials and ambient conditions).

*\* For IP68 jacketed LED TAPE, BL flexFORM Dot-Free IP65, and down facing applications using IP65 or IP68 jacketed LED TAPE, please refer to installation guide for BL flexFORM ADH406*

PROJECT

CLIENT

TYPE

Solid State Lighting is sensitive to power fluctuations  
Surge protection is highly recommended for all LED lighting products and should be on a designated circuit to protect against premature failure  
Lack of surge protection may void your warranty

For more information, please download the  
**BL LIGHTING** catalogue

**BL LIGHTING.** ILLUMINATE EVERYTHING

111 - 8838 Heather St. Vancouver, BC, Canada. V6P 3S8  
P: 1-604-874-4405 E: info@blighting.com  
BL INNOVATIVE LIGHTING. All Rights Reserved.

[blighting.com](http://blighting.com)

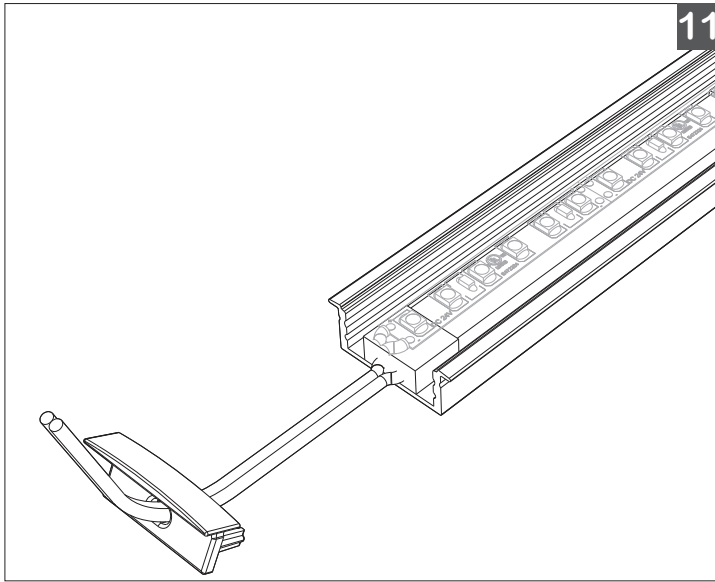


**BL fixFORM SF Series**

Flexible Surface Mount Aluminum Profile  
Designed for use with **BL flexFORM** Series

**Contour 1905**

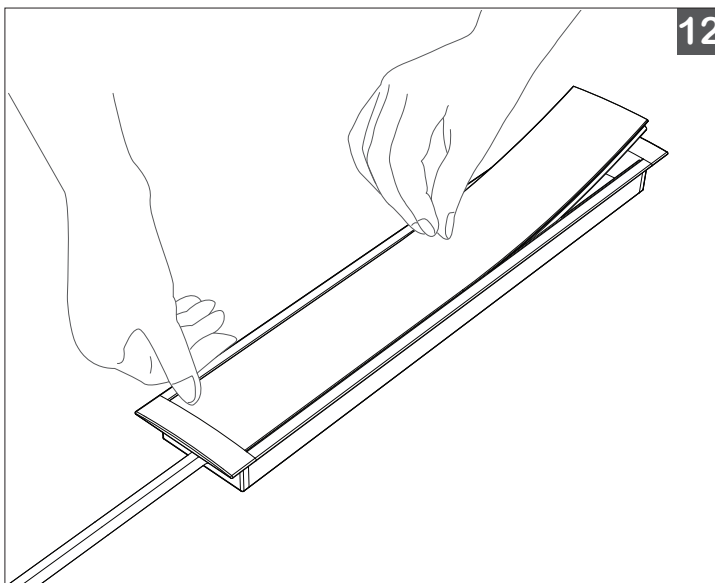
Printed



**11**

11.

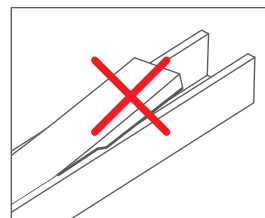
Gently guide the lead wire through the end caps.



**12**

12.

Place one corner of the lens into the base track first and press in subsequent sections of the lens cover. Be careful not to bend or break the wings of the lens cover. Push fit the end caps onto the ends of the LED Profile.



PROJECT

CLIENT

TYPE

Solid State Lighting is sensitive to power fluctuations  
Surge protection is highly recommended for all LED lighting products and should be on a designated circuit to protect against premature failure  
Lack of surge protection may void your warranty

For more information, please download the  
**BL LIGHTING** catalogue

**BL LIGHTING. ILLUMINATE EVERYTHING**

111 - 8838 Heather St. Vancouver, BC, Canada. V6P 3S8  
P: 1-604-874-4405 E: info@bllighting.com  
BL INNOVATIVE LIGHTING. All Rights Reserved.

**bllighting.com**



**BL fixFORM SF Series**

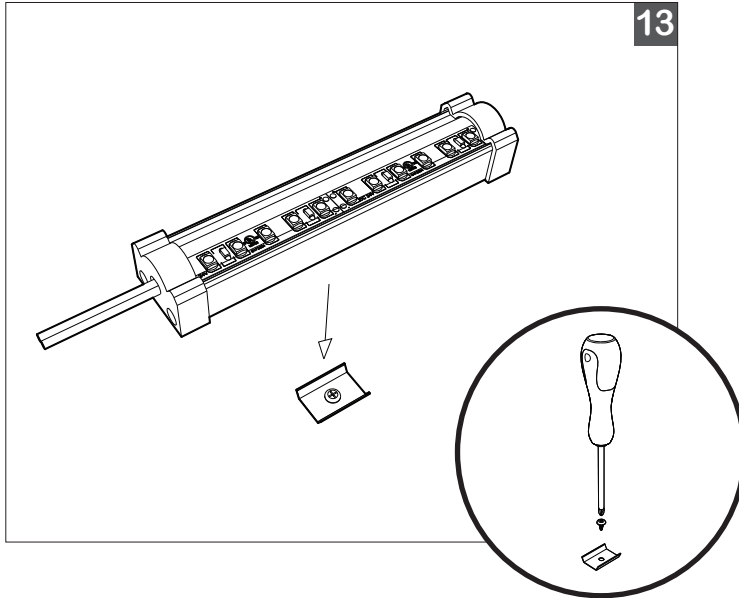
Flexible Surface Mount Aluminum Profile  
Designed for use with **BL flexFORM** Series

**Contour 1905**

Printed

**LAYOUT AND MOUNTING METHODS**

Mounting Clips (preferred method)



13.

Anchor the included Mounting Clips to framing or solid surface with appropriate sized fastening screws for the application, in preparation for installing the mounting channel. Ensure the screw sits flush within the mounting clip.

A minimum of 3 Mounting Clips are recommended per up to 6ft of LED Profile. More clips may be required depending on application and mounting orientation. Seat the LED Profile into the Mounting Clip, ensuring a secure fit.

PROJECT

CLIENT

TYPE

Solid State Lighting is sensitive to power fluctuations  
Surge protection is highly recommended for all LED lighting products and should be on a designated circuit to protect against premature failure  
Lack of surge protection may void your warranty

For more information, please download the  
**BL LIGHTING** catalogue

**BL LIGHTING. ILLUMINATE EVERYTHING**

111 - 8838 Heather St. Vancouver, BC, Canada. V6P 3S8  
P: 1-604-874-4405 E: info@bllighting.com  
BL INNOVATIVE LIGHTING. All Rights Reserved.

**bllighting.com**





**BL fixFORM SF Series**

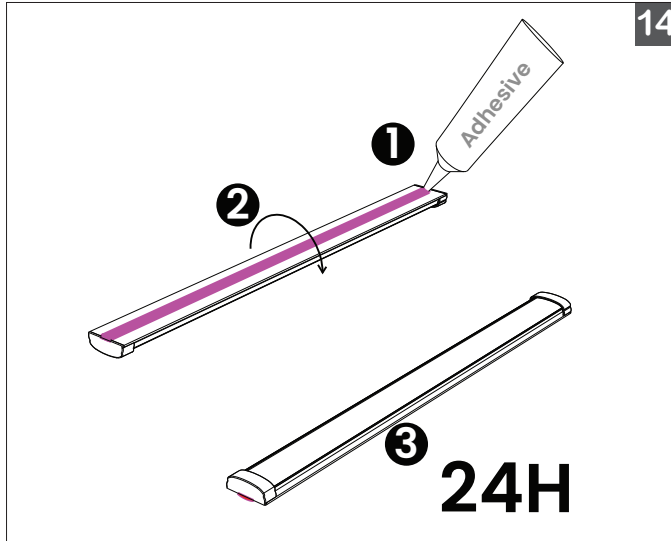
Flexible Surface Mount Aluminum Profile  
Designed for use with **BL flexFORM** Series

**Contour 1905**

Printed

**LAYOUT AND MOUNTING METHODS**

Adhesive



14

Select an appropriate adhesive for securing your fixture and apply to channel assembly. Hold the bond in place and do not subject to any service loads until adhesive has developed a full strength cure.

Mounting surface must be clean and dry.

Adhesive is ideal for mounting to a flat, horizontal surface with the lights shining up, and is not recommended for vertical installations, or horizontal mount where the lights are shining down.

PROJECT

CLIENT

TYPE

Solid State Lighting is sensitive to power fluctuations  
Surge protection is highly recommended for all LED lighting products and should be on a designated circuit to protect against premature failure  
Lack of surge protection may void your warranty

For more information, please download the  
**BL LIGHTING** catalogue

**BL LIGHTING. ILLUMINATE EVERYTHING**

111 - 8838 Heather St. Vancouver, BC, Canada. V6P 3S8  
P: 1-604-874-4405 E: info@blighting.com  
BL INNOVATIVE LIGHTING. All Rights Reserved.

**blighting.com**

