

BL fixFORM Recessed Trimless 2414

Indoor Recessed Aluminium Extrusion
Designed for use with BL flexFORM Series



Embed BL fixFORM Recessed Trimless 2414 directly into a drywall recess to transform ceilings and walls into luminous surfaces. Constructed with flanges for straightforward mud-in installation directly into the drywall surface, effortlessly create trimless lines of uniform illumination. BL fixFORM Recessed Trimless 2414 is designed for use with our BL flexFORM Series, available in a wide variety of lumen packages. The sleek, low profile polycarbonate lens beautifully diffuses the light and provides another layer of protection for the LED. Ships in 6ft field cuttable lengths along with end caps to create a modern, sophisticated finish.

Quick Ship

Mud-in Drywall Channel

CLIENT	
PROJECT NAME	
LOCATION	
DATE	

Product Detail



Mechanical	Housing Construction	Aluminum Channel Polycarbonate Optic (75% Trans.) Plastic End Caps
	Stock Length	6ft (1.83m)
	Minimum Cut Length	Based on BL flexFORM Increments
Components	BL-fixFORM-RC-TR-2414-CH	Aluminum Base Track
	BL-fixFORM-RC-TR-2414-LE	Polycarbonate Optic
	BL-fixFORM-RC-TR-2414-EC	Plastic End Cap
Environmental	Ingress Protection	IP20
	Certifications	cULus

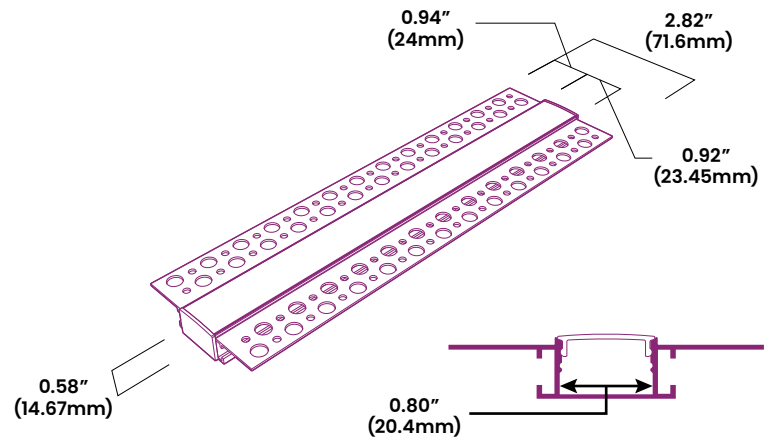


Ordering

Product Code

BL-fixFORM-RC-TR-2414-FR-IP20

Dimensions



BL LIGHTING
ILLUMINATE EVERYTHING

111 - 8838 Heather St. Vancouver, BC, Canada. V6P 3S8
P: 1-604-874-4405 E: info@bllighting.com
Copyright © BL INNOVATIVE LIGHTING. All Rights Reserved.

Solid State Lighting is sensitive to power fluctuations. Surge protection is highly recommended for all LED lighting products and should be on a dedicated circuit to protect against premature failure. Lack of surge protection may void your warranty.

Designed & Assembled in North America.

Specifications subject to change without notice. Please refer to our website at bllighting.com for current technical data.

For more information, please download the BL LIGHTING catalog

bllighting.com

