

# BL fixFORM Recessed Narrow 1309

Indoor Recessed Aluminium Channel  
Designed for use with BL flexFORM Series

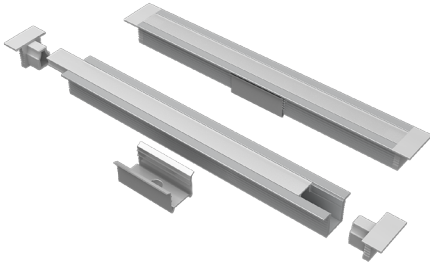


BL fixFORM Recessed Narrow 1309 is ideal for providing thin lines of illumination flush recessed into walls, ceilings and surfaces. The attractive and uniform trim is a slim 1/2" (13mm) wide, and easy to install with included mounting clips. Sleek BL fixFORM Recessed Narrow 1309 profile is compatible with the narrow BL flexFORM LED N2 LED Tape and delivers uniform, dot-free lines of light, perfect for creating luminous surfaces.

**Quick Ship**

CLIENT	
PROJECT NAME	
LOCATION	
DATE	

## Product Detail



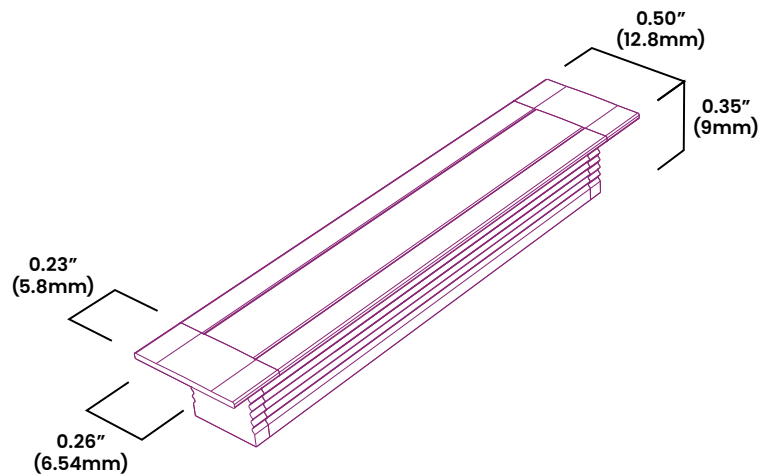
<b>Mechanical</b>	Housing Construction	Aluminum Channel Polycarbonate Optic (75% Trans.) ABS Plastic End Caps
	Stock Length	6ft (1.83m)
	Minimum Cut Length	Based on BL flexFORM Increments
<b>Components</b>	BL-fixFORM-RC-NR-1309-CH	Aluminum Base Track
	BL-fixFORM-RC-NR-1309-LE	Polycarbonate Optic
	BL-fixFORM-RC-NR-1309-EC	Plastic End Cap
	BL-fixFORM-RC-NR-1309-CP	Stainless Steel Mounting Clips
<b>Environmental</b>	Ingress Protection	IP20
	Certifications	cULus



## Ordering

Product Code
BL-fixFORM-RC-NR-1309-FR-IP20

## Dimensions



### BL LIGHTING ILLUMINATE EVERYTHING

111 - 8838 Heather St. Vancouver, BC, Canada. V6P 3S8  
P: 1-804-874-4405 E: info@bllighting.com  
Copyright © BL INNOVATIVE LIGHTING. All Rights Reserved.

Solid State Lighting is sensitive to power fluctuations. Surge protection is highly recommended for all LED lighting products and should be on a dedicated circuit to protect against premature failure. Lack of surge protection may void your warranty.

Designed & Assembled in North America.

Specifications subject to change without notice. Please refer to our website at bllighting.com for current technical data.

For more information, please download the BL LIGHTING catalog

[bllighting.com](http://bllighting.com)

