

BL fixFORM Recessed 4435

Indoor Recessed Aluminium Extrusion
Designed for use with BL flexFORM Series

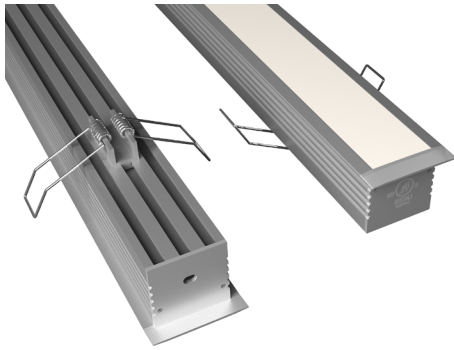


BL fixFORM Recessed 4435 is perfect for creating luminous surfaces on walls and ceilings. The attractive and uniform trim, along with multi-directional track connectors, and spring clips, allow for easy installation, and a beautifully polished, professional, and flush finish. This stylish Recessed 4435 profile is compatible with all of our BL flexFORM LED, allowing you to create homogeneous lines of light in the widest array of lumen packages.

Quick Ship

CLIENT	
PROJECT NAME	
LOCATION	
DATE	

Product Detail

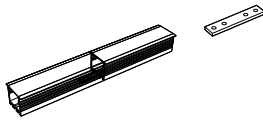


Mechanical	Housing Construction	Aluminum Enclosure Polycarbonate Optic (75% Trans.) Anodized End Caps Stainless Steel Screws
	Stock Length	6ft (1.83m)
	Minimum Cut Length	Based on BL flexFORM Increments
	Components	
	BL-fixFORM-RC-4435-CH	Aluminum Base Track
	BL-fixFORM-RC-4435-LE	Polycarbonate Optic
	BL-fixFORM-RC-4435-EC	Anodized End Cap with Screws
	BL-fixFORM-RC-4435-CP	Steel Spring Mounting Clips
	BL-fixFORM-TC180	Multi-Track Connector, Flat 180°
	BL-fixFORM-TCX90	Multi-Track Connector, In/Out 90°
	BL-fixFORM-TCF90	Multi-Track Connector, Flat 90°
Environmental	Ingress Protection	IP20
	Certifications	cULus

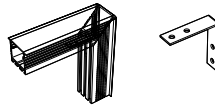


Connector Options

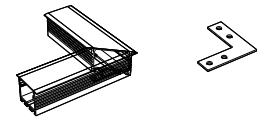
TC180
Multi-Track Connector, Flat 180°



TCX90
Multi-Track Connector, In/Out 90°



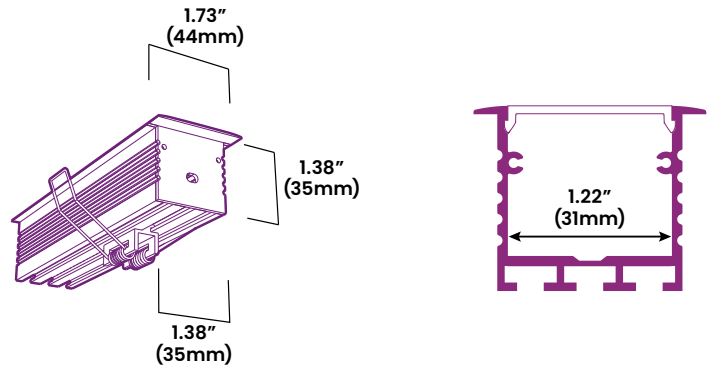
TCF90
Multi-Track Connector, Flat 90°



Ordering

Product Code
BL-fixFORM-RC-4435-FR-IP20

Dimensions



Custom channel colors are available, please consult BL Lighting for more information.

BL LIGHTING
ILLUMINATE EVERYTHING

111 - 8838 Heather St. Vancouver, BC, Canada. V6P 3S8
P: 1-804-874-4405 E: info@bllighting.com
Copyright © BL INNOVATIVE LIGHTING. All Rights Reserved.

Solid State Lighting is sensitive to power fluctuations. Surge protection is highly recommended for all LED lighting products and should be on a dedicated circuit to protect against premature failure. Lack of surge protection may void your warranty.

Designed & Assembled in North America.

Specifications subject to change without notice. Please refer to our website at bllighting.com for current technical data.

For more information, please download the BL LIGHTING catalog

bllighting.com

