

BL fixFORM Recessed 3314

Indoor Recessed Aluminium Channel
Designed for use with BL flexFORM Series



BL fixFORM Recessed 3314 is ideal for recessed corner mount LED lighting projects. With a unique curved lens optic seated at a 45° angle, BL flexFORM LED fits nicely inside the extrusion, providing even beam distribution and dot free illumination creating beautiful light with a professional, polished, recessed finish. This stylish Recessed 3314 profile is compatible with BL flexFORM LED, allowing you to create homogeneous lines of light in the widest array of lumen packages.

CLIENT	
PROJECT NAME	
LOCATION	
DATE	

Recessed 45° Illumination

Product Detail



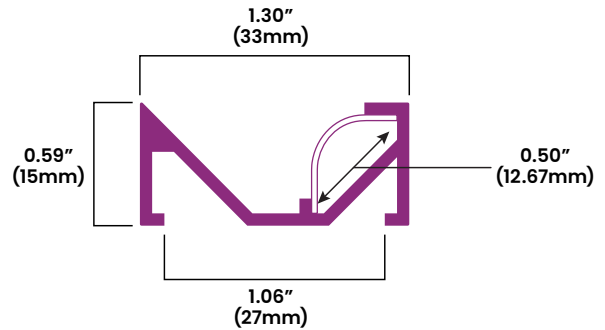
Mechanical	Housing Construction	Aluminum Channel Polycarbonate Optic (75% Trans.) Plastic End Caps Spring Mounting Clips
	Stock Length	8ft (2.44m)
	Minimum Cut Length	Based on BL flexFORM LED Tape Increments
	Components	BL-fixFORM-RC-3314-CH
BL-fixFORM-RC-3314-LE		Polycarbonate Optic
BL-fixFORM-RC-3314-EC		Plastic End Caps
BL-fixFORM-RC-3314-CP		Steel Mounting Clip
Environmental	Ingress Protection	IP20
	Certifications	cULus



Ordering

Product Code
BL-fixFORM-RC-3314-FR-IP20

Dimensions



BL LIGHTING ILLUMINATE EVERYTHING

111 - 8838 Heather St. Vancouver, BC, Canada. V6P 3S8
P: 1-804-874-4405 E: info@bllighting.com
Copyright © BL INNOVATIVE LIGHTING. All Rights Reserved.

Solid State Lighting is sensitive to power fluctuations. Surge protection is highly recommended for all LED lighting products and should be on a dedicated circuit to protect against premature failure. Lack of surge protection may void your warranty.

Designed & Assembled in North America.

Specifications subject to change without notice. Please refer to our website at bllighting.com for current technical data.

For more information, please download the BL LIGHTING catalog

bllighting.com

