

# BL fixFORM Recessed 2416

Indoor Recessed Aluminium Channel  
Designed for use with BL flexFORM Series

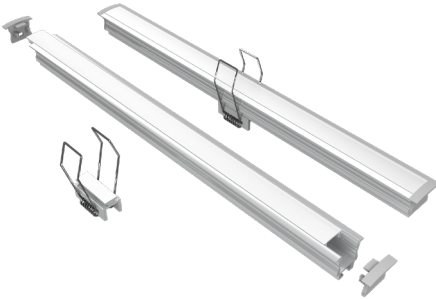


BL fixFORM Recessed 2416 is perfect for creating luminous surfaces on walls and ceilings. The attractive and uniform trim is easy to install into a 3/4" (18.5mm) x 1-3/8" (35mm) recess with spring mounting clips, and the frosted lens is constructed with a slight curve to deliver beautiful light with a professional, polished, recessed finish. This stylish Recessed 2416 profile is compatible with BL flexFORM LED, allowing you to create homogeneous lines of light in the widest array of lumen packages.

## Spring Clip Mounting

CLIENT	
PROJECT NAME	
LOCATION	
DATE	

## Product Detail



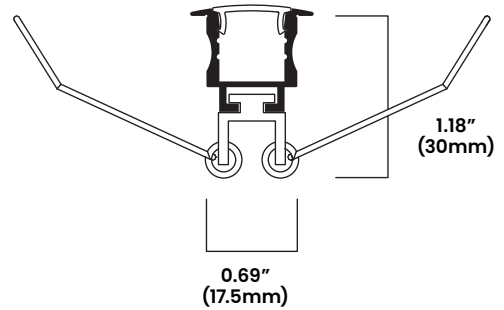
<b>Mechanical</b>	Housing Construction	Aluminum Channel Polycarbonate Optic (75% Trans.) Plastic End Caps Spring Mounting Clips
	Stock Length	6ft (1.83m)
	Minimum Cut Length	Based on BL flexFORM Increments
<b>Components</b>	BL-fixFORM-RC-2416-CH	Aluminum Channel
	BL-fixFORM-RC-2416-LE	Polycarbonate Optic
	BL-fixFORM-RC-2416-EC	Plastic End Caps
	BL-fixFORM-RC-2416-CP	Spring Mounting Clip
<b>Environmental</b>	Ingress Protection	IP20
	Certifications	cULus



## Ordering

Product Code
BL-fixFORM-RC-2416-FR-IP20

## Dimensions



## BL LIGHTING ILLUMINATE EVERYTHING

111 - 8838 Heather St. Vancouver, BC, Canada. V6P 3S8  
P: 1-804-874-4405 E: info@bllighting.com  
Copyright © BL INNOVATIVE LIGHTING. All Rights Reserved.

Solid State Lighting is sensitive to power fluctuations. Surge protection is highly recommended for all LED lighting products and should be on a dedicated circuit to protect against premature failure. Lack of surge protection may void your warranty.

Designed & Assembled in North America.

Specifications subject to change without notice. Please refer to our website at bllighting.com for current technical data.

For more information, please download the BL LIGHTING catalog

[bllighting.com](http://bllighting.com)

