

# BL fiberSOURCE Aries

LED Light Engine Designed for BL fiberOPTIC  
46W RGBW DMX



BL fiberSOURCE Aries is a high performance, DMX enabled, RGBW LED illuminator, designed to integrate with BL fiberOPTIC, to create vibrant, rich, color changing effects. The 46W RGBW LED has 50,000 hour lamp life, and can be ordered with a Twinkle Wheel. Take charge of your color changing, dimming or twinkling effects with DMX control, or optional RF Remote. Perfect for decorative accents, color changing starfield ceilings, and creating fun, activated illuminated displays.

RGBW(6500K)

3610lm Output

DMX Controlled

CLIENT	
PROJECT NAME	
LOCATION	
DATE	

## Product Detail

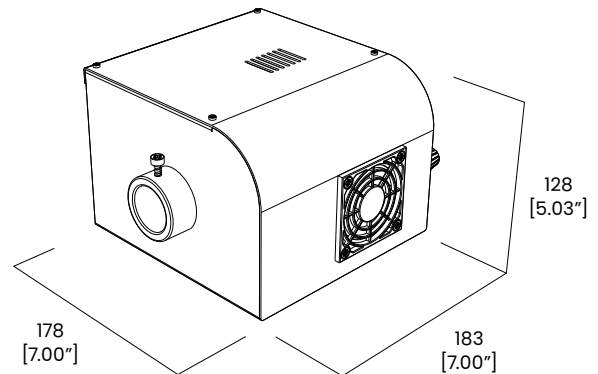


<b>Lighting</b>	CCT/Color	RGBW (6500K)
	Power	46W
	Lumen	3610lm
	Efficacy	78 lm/W
	Average Life	50,000 Hours
<b>Electrical</b>	Controls	DMX, RF Remote, Switch
	Input Voltage	100V–240VAC
	PSU Output	24VDC
	Temp. Range	14°F to 113°F (-10°C to 45°C)
<b>Mechanical</b>	Housing Construction	Aluminum
	Wheel Options	Twinkle Wheel
	Environmental	IP20
	Aperture Diameter	1-3/16" (30mm)
	Certification	UL

## Ordering

Product Code	CCT/Color	Effect
BL fiberSOURCE Aries	RGBW (6500K)	NO (No Wheel) TW (Twinkle Wheel)

## Dimensions



### BL LIGHTING ILLUMINATE EVERYTHING

111 - 8838 Heather St. Vancouver, BC, Canada. V6P 3S8  
P: 1-804-874-4405 E: info@bllighting.com  
Copyright © BL INNOVATIVE LIGHTING. All Rights Reserved.

Solid State Lighting is sensitive to power fluctuations. Surge protection is highly recommended for all LED lighting products and should be on a dedicated circuit to protect against premature failure. Lack of surge protection may void your warranty.

Designed & Assembled in North America.

Specifications subject to change without notice. Please refer to our website at bllighting.com for current technical data.

For more information, please download the BL LIGHTING catalog

[bllighting.com](http://bllighting.com)

