

BL fiberOPTIC Aqua Starfield transforms pools and water features with an eye-catching starry sky illusion glimmering from under the water. Safely utilizing heat-free and non-current bearing micro diameter BL fiberOPTICS to transmit light from a remote BL fiberSOURCE Illuminator, fibers are embedded into the pool floor, with light emitting from the fiber tips. Enhance your pool design with a custom star pattern using randomly placed star points, or add shooting stars, full constellations and even custom shapes or logos to add impact and interest to swimming pools, spas, reflecting ponds and water features.

CLIENT	
PROJECT NAME	
LOCATION	
DATE	

Product Detail

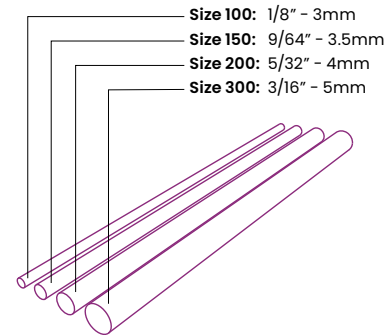


Lighting	Internal Fiber Diameters	100 - (3/64" - 1.0 mm) 150 - (1/16" - 1.5 mm) 200 - (5/64" - 2.0 mm) 300 - (1/8" - 3mm)	
	Acceptance Angle	45°	
	Output Angle	60° Half Angle	
	Attenuation	0.2 dB/m (0.06 dB/ft)	
	Avg Life	15 Years	
	Spectral Transmission	380 - 750 nm Visible Spectrum	
	Range Refractive Index	1.49	
	Numerical Aperture	0.65	
	Accessories	Mounting	BL fiberOPTIC AQ ST FS3850 BI
		Material	PMMA
Cladding		HFFR	
Mechanical	Operating Temperature	-40°F to 158°F (-40°C to 70°C)	
	Environmental	IP68	
	Bend Radius	8X Diameter Size	

Ordering

Product Code	Fiber Size	Bundle Size	Tail Lengths
BL fiberOPTIC AQ ST	100 (3/64" - 1.0 mm)		20FT
	150 (1/16" - 1.5 mm)		30FT
	200 (5/64" - 2.0 mm)		40FT
	300 (1/8" - 3mm)		50FT

Dimensions



Maximum Fiber Quantity per Bundle:*

- Size 100: 300 fiber cables
- Size 150: 200 fiber cables
- Size 200: 140 fiber cables
- Size 300: 65 fiber cables

*Custom bundles available, contact us for more details.

Part#

BL fiberOPTIC AQ ST FS3850 BI

